



Heating and Air Conditioning

**SPECIFICATION CATALOG**

**AFFINITY**

**COMMERCIAL GEOTHERMAL/  
WATER SOURCE HEAT PUMPS  
DUAL-CAPACITY HYDRONIC**

**MODELS:**

**YHTW100 - 180**

**(8 THRU 15 NOMINAL TONS)**



Due to continuous product improvement, specifications are subject to change without notice.

Visit us on the web at [www.york-geothermal.com](http://www.york-geothermal.com)

Additional rating information can found at [www.ahridirectory.org](http://www.ahridirectory.org)

FOR DISTRIBUTION USE ONLY - NOT TO BE USED AT POINT OF RETAIL SALE

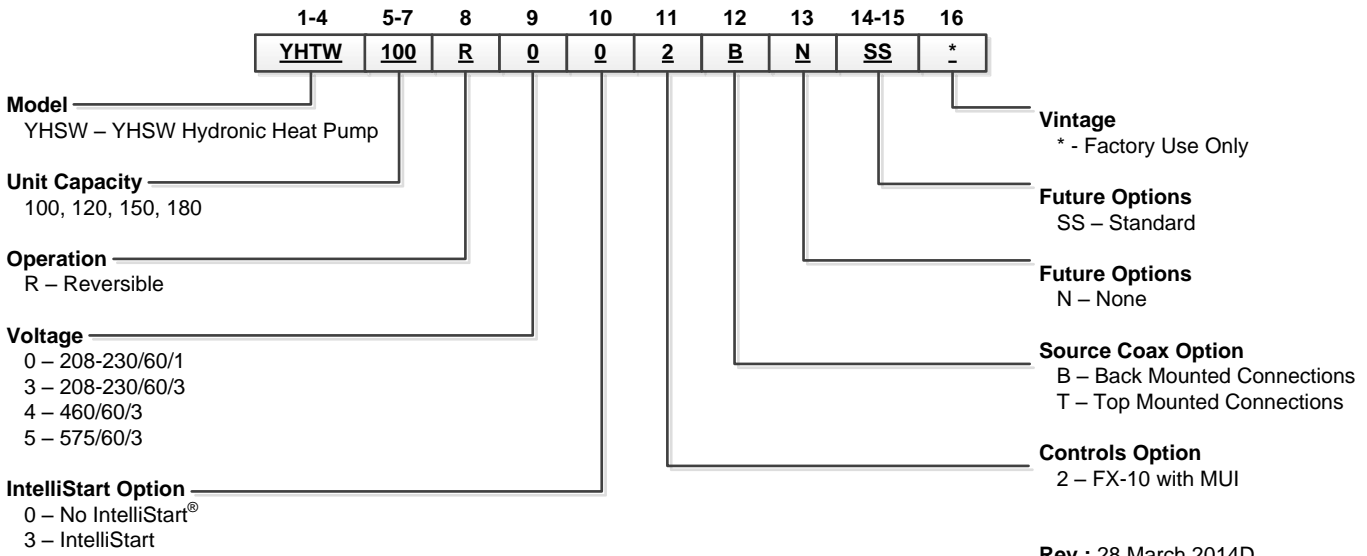


## Table of Contents

---

|   |       |
|---|-------|
| Model Nomenclature .....                  | 4     |
| AHRI Data .....                           | 5-6   |
| The Affinity Series .....                 | 7-8   |
| Inside the Affinity Series .....          | 9     |
| Affinity Series Controls .....            | 10-14 |
| Affinity Series Application Notes .....   | 15-21 |
| Flow Rates .....                          | 22    |
| Water Quality .....                       | 23    |
| Affinity Typical Application Piping ..... | 24    |
| Dimensional Data .....                    | 25    |
| Physical Data .....                       | 26    |
| Electrical Data .....                     | 26    |
| Antifreeze Correction .....               | 27    |
| Load and Source Pressure Drop .....       | 28    |
| Reference Calculations .....              | 29    |
| Legend and Notes .....                    | 29    |
| Performance Data .....                    | 30-37 |
| Wiring Schematics .....                   | 38-40 |
| Accessories and Options .....             | 41-43 |
| Engineering Guide Specifications .....    | 44-45 |
| Revision Guide .....                      | 46    |

# Model Nomenclature



Rev.: 28 March 2014D

**Notes:**

- 1 Available on 040, 050, 060 and 075 only. Hot Water Generator requires field installed external pump kit.
- 2 018 and 025 heating only models are available only with copper double wall vented load coax for potable water.



Affinity Series hydronic units are Safety listed under UL1995 thru ETL and performance tested in accordance with standard AHRI/ISO 13256-2.

# AHRI Data

AHRI/ASHRAE/ISO 13256-2  
English (IP) Units

| Model | Capacity Modulation | Flow Rate |      | Water Loop Heat Pump              |               |                                  |     | Ground Water Heat Pump            |               |                                  |     | Ground Loop Heat Pump                                   |               |  |     |
|-------|---------------------|-----------|------|-----------------------------------|---------------|----------------------------------|-----|-----------------------------------|---------------|----------------------------------|-----|---|---------------|--|-----|
|       |                     |           |      | Cooling<br>EST 86°F<br>ELT 53.6°F |               | Heating<br>EST 68°F<br>ELT 104°F |     | Cooling<br>EST 59°F<br>ELT 53.6°F |               | Heating<br>EST 50°F<br>ELT 104°F |     | Cooling<br>Full EST 77°F<br>Part EST 68°F<br>ELT 53.6°F |               | Heating<br>Full EST 32°F<br>Part ELT 41°F<br>ELT 104°F |     |
|       |                     | Sgpm      | Lgpm | Capacity<br>Btuh                  | EER<br>Btuh/W | Capacity<br>Btuh                 | COP | Capacity<br>Btuh                  | EER<br>Btuh/W | Capacity<br>Btuh                 | COP | Capacity<br>Btuh  | EER<br>Btuh/W | Capacity<br>Btuh                                       | COP |
| 100   | Full                | 23        | 23   | 93,000                            | 14.6          | 125,000                          | 4.0 | 105,000                           | 22.0          | 103,000                          | 3.3 | 100,000   | 16.8          | 82,000   | 3.0 |
|       | Part                | 23        | 23   | 50,000                            | 15.8          | 65,000                           | 4.6 | 56,000                            | 24.5          | 53,000                           | 3.7 | 54,000  | 22.0          | 47,000   | 3.4 |
| 120   | Full                | 28        | 28   | 103,000                           | 14.0          | 142,000                          | 4.0 | 123,000                           | 21.6          | 118,000                          | 3.3 | 114,000   | 16.2          | 93,000   | 3.0 |
|       | Part                | 28        | 28   | 58,000                            | 15.5          | 76,000                           | 4.4 | 65,000                            | 22.4          | 62,500                           | 3.7 | 63,000  | 21.1          | 55,000   | 3.4 |
| 150   | Full                | 32        | 32   | 129,000                           | 13.5          | 199,000                          | 4.0 | 153,000                           | 21.1          | 148,000                          | 3.2 | 147,000   | 16.0          | 123,000  | 2.8 |
|       | Part                | 32        | 32   | 72,000                            | 15.3          | 101,000                          | 4.3 | 75,000                            | 22.0          | 73,000                           | 3.7 | 78,000  | 20.7          | 70,000   | 3.3 |
| 180   | Full                | 36        | 36   | 150,000                           | 13.3          | 221,000                          | 3.9 | 175,000                           | 19.8          | 173,000                          | 3.1 | 165,000   | 15.8          | 139,000  | 2.7 |
|       | Part                | 36        | 36   | 78,000                            | 15.0          | 113,000                          | 4.2 | 89,000                            | 20.9          | 87,000                           | 3.7 | 86,000  | 18.4          | 82,000   | 3.5 |

All ratings based upon 208V operation.

3/21/11

## AHRI Data cont.

The performance standard AHRI/ASHRAE/ISO 13256-2 became effective January 1, 2000. This new standard has three major categories: Water Loop, Ground Water, and Ground Loop.

### Unit of Measure: The Cooling COP

The cooling efficiency is measured in EER (US version measured in Btuh per Watt. The Metric version is measured in a cooling COP (Watt per Watt) similar to the traditional COP measurement.

### Pump Power Correction Calculation

Within each model, only one water flow rate is specified for all three groups and pumping Watts are calculated using the following formula. This additional power is added onto the existing power consumption.

- Pump power correction = (gpm x 0.0631) x (Press Drop x 2990) / 300

Where 'gpm' is waterflow in gpm and 'Press Drop' is the pressure drop through the unit heat exchanger at rated water flow in feet of head.

### ISO Capacity and Efficiency Calculations

The following equations illustrate cooling calculations:

- ISO Cooling Capacity = Cooling Capacity (Btuh) x 3.412
- ISO EER Efficiency (W/W) = ISO Cooling Capacity (Btuh) x 3.412 / [Power Input (Watts) + Pump Power Correction (Watt)]

The following equations illustrate heating calculations:

- ISO Heating Capacity = Heating Capacity (Btuh) x 3.412
- ISO COP Efficiency (W/W) = ISO Heating Capacity (Btuh) x 3.412 / [Power Input (Watts) + Pump Power Correction (Watt)]

### Test Conditions

|  | ISO/AHRI<br>13256-2<br>WLHP | ISO/AHRI<br>13256-2<br>GWHP | ISO/AHRI<br>13256-2<br>GLHP |
|--|-----------------------------|-----------------------------|-----------------------------|
| <b>Cooling</b>   |                             |                             |                             |
| Liquid Entering Indoor Side - °F<br><i>Standard Rating Test</i>                  | 53.6                        | 53.6                        | 53.6                        |
| Liquid Entering Heat Exchanger - °F<br><i>Part-load Rating Test</i>              | 86                          | 59                          | 77                          |
| Liquid Entering Heat Exchanger<br>Fluid Flow Rate                                | 86<br>*                     | 59<br>*                     | 68<br>*                     |
| <b>Heating</b>   |                             |                             |                             |
| Liquid Entering Indoor Side - °F<br><i>Standard Rating Test</i>                  | 104                         | 104                         | 104                         |
| Liquid Entering Outdoor-side Heat Exchanger - °F<br><i>Part-load Rating Test</i> | 68                          | 50                          | 32                          |
| Liquid Entering Outdoor-side Heat Exchanger<br>Fluid Flow Rate                   | 68<br>*                     | 50<br>*                     | 41<br>*                     |

NOTES: \*Flow rate is specified by the manufacturer  
 WLHP = Water Loop Heat Pump; GWHP = Ground Water Heat Pump;  
 GLHP = Ground Loop Heat Pump

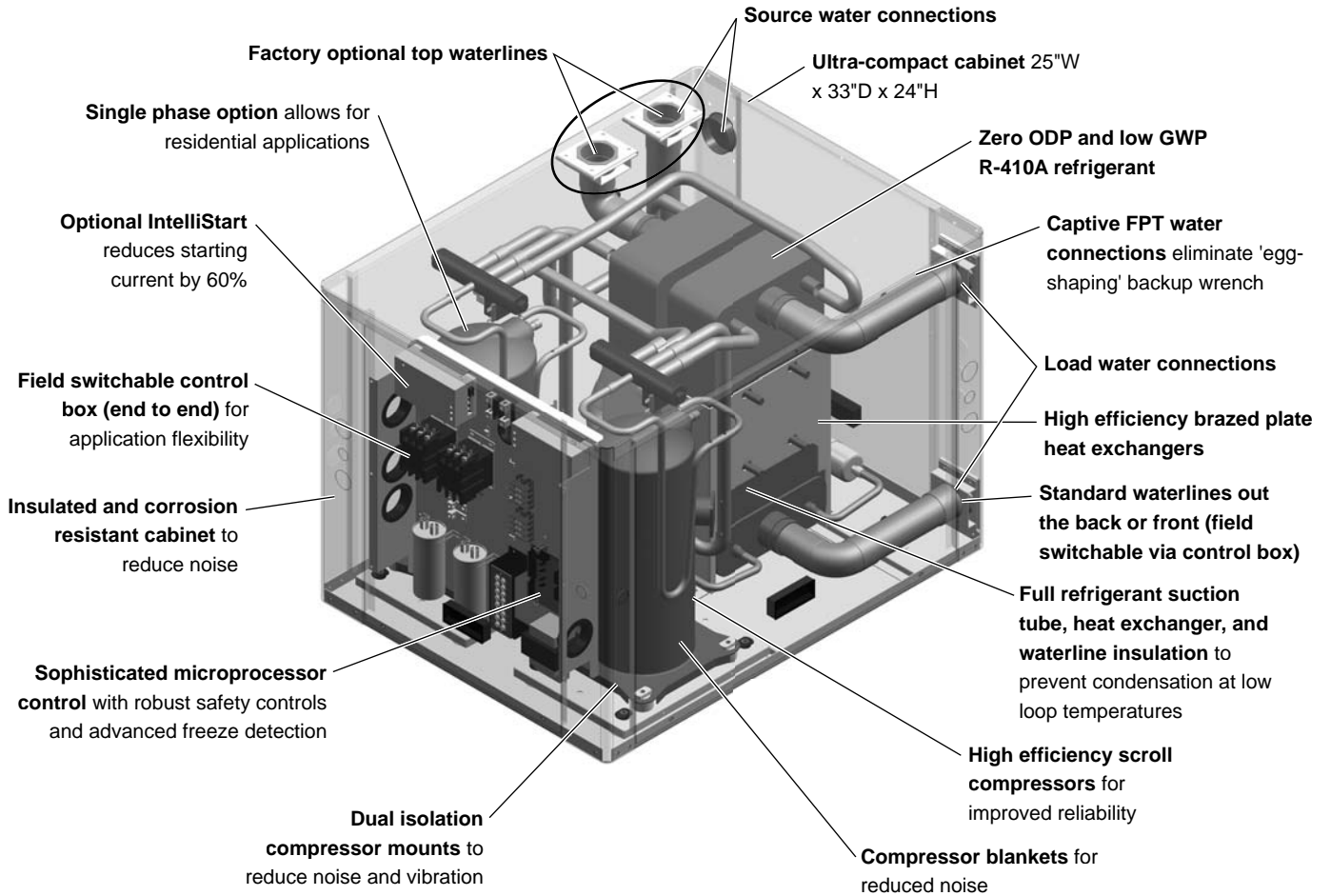
### Conversions

Water Flow (lps) = GPM x 0.0631

Press Drop (Pascals) = Press Drop (ft hd) x 2990

# The Affinity Series

## Affinity Features



## The Affinity Series cont.

### High Efficiency

The Affinity Series are the highest efficiency units available. Large oversized water to refrigerant heat exchangers and scroll compressors provide extremely efficient operation. This efficiency means the Affinity Series requires less loop than any product on the market. This can mean significant savings on commercial and residential projects.

### Standard Features

- Single and three-phase available.
- Heavy gauge cabinet
- Quiet scroll compressors in all models
- Two-dimension refrigerant piping vibration loops to isolate the compressor.
- All interior cabinet surfaces are insulated with 1/2" [12.7mm] thick 1-1/2lb [681g] density, surface coated, acoustic type glass fiber insulation.
- Optional IntelliStart to reduce starting current
- Field switchable control box
- Advanced FX10 control
- Ultra-compact cabinet
- Optional top or back mounted water lines

### Super Quiet Option

- Multi-density laminate lined compressor blanket designed to suppress low frequency noise.



### Flexible Control Options

The FX10 control provides unmatched capability in several areas including performance monitoring, zoning, humidity, energy management, and service diagnosis, and then communicates it all thru standard DDC protocols like N2, Lon and BACnet (MS/TP @ 19,200 Baud Rate). The most unique feature is integrating the FX10 into the Affinity Series as both the heat pump and DDC controller providing both a cost advantage and features not typically found on WLHP controls. This integration allows heat pump monitoring sensors, status and service diagnosis faults to be communicated thru the DDC direct to the building automation system (BAS), giving building supervisors detailed and accurate information on every piece of equipment without removing an access panel!

### Easy Maintenance and Service Advantages

- Removable compressor access panels.
- Quick attach wiring harnesses are used throughout for fast servicing.
- High and low pressure refrigerant service ports.
- Optional user interface for diagnostics and commissioning of FX controls.

### Factory Quality

- All refrigerant brazing is performed in a nitrogen purge environment.
- Computer controlled deep vacuum and refrigerant charging system.
- All joints are leak detected for maximum leak rate of less than 1/4 oz. per year.
- Computer bar code equipped assembly line insures all components are correct.
- All units are computer run-tested with water to verify both function and performance.



## Inside the Affinity Series

### Refrigerant

Affinity Series products all feature zero ozone depletion and low global warming potential R-410A refrigerant.

### Cabinet

All units are constructed of corrosion resistant galvanized sheet metal with silver metallic powder coat paint rated for more than 1000 hours of salt spray. Large lift-out access panels provide access to the compressor section from four sides. Back or top water connection option is available.

### Compressors

High efficiency R-410A scroll compressors are used on every model. Scrolls provide both the highest efficiency available and great reliability.

### Electrical Box

Unit controls feature quick connect wiring harnesses for easy servicing. Separate knockouts for low voltage, and two for power on two sides allow easy access to the control box. A large 75VA transformer assures adequate control's power for accessories. Flexible Johnson Controls FX10 microprocessor control is included, featuring several innovations. See Affinity Series Controls section for more information.

### Water Connections

Flush mount FPT water connection fittings allow one wrench leak-free connections and do not require a backup wrench. Factory installed thermistors are used on all water lines and can be viewed through the microprocessor interface tool.

### Thermostatic Expansion Valve

All Affinity Series models utilize a balanced port bi-directional thermostatic expansion valve (TXV) for refrigerant metering. This allows precise refrigerant flow in a wide range of entering water variation (30 to 120°F [-1.1 to 49°C]) found in geothermal systems. The TXV is located in the compressor compartment for easy access.



### Water-to-Refrigerant Heat Exchanger

Large oversized stainless steel interlaced copper-brazed plate water-to-refrigerant heat exchangers provide unparalleled efficiency. The heat exchangers have common water circuits with isolated refrigerant circuits so that in part load operation, the full mass of the heat exchanger is utilized. All heat exchangers are pressure rated to 450 psi water side and 650 psi refrigerant side. All heat exchangers, water lines, and suction lines are insulated to prevent condensation during low temperature inlet water operation.



### Service Connections and Serviceability

Two Schrader service ports are provided for each circuit on every unit. The suction side and discharge side ports are for field charging and servicing access. All valves are 7/16" SAE connections.



### 4-Way Reversing Valve

Affinity Series units feature a reliable all-brass pilot operated refrigerant reversing valve. The reversing valve operation is limited to change of mode by the control to enhance reliability.



### IntelliStart™

The optional IntelliStart single phase soft starter will reduce the normal start current (LRA) by 60%. This allows the heat pump to go off-grid. Using IntelliStart also provides a substantial reduction in light flicker, reduces start-up noise, and improves the compressor's start behavior. IntelliStart is available in a field retrofit kit or as a factory installed option for all Affinity Series units.




## Affinity Series Controls

### FX10 Control

The FX10 control provides unparalleled capability in several areas including performance monitoring, energy management, and service diagnosis, and then communicates it all thru standard DDC protocols like N2, Lon and BACnet (MS/TP @ 19,200 Baud Rate).

The most unique feature is integrating the FX10 into the Affinity Series as both the heat pump and DDC controller providing both

a cost advantage and providing features not typically found on WLHP controls. This integration allows heat pump monitoring sensors, status and service diagnosis faults to be communicated thru the DDC direct to the building automation system (BAS), giving building supervisors detailed and accurate information on every piece of equipment without removing an access panel!

| Control  | General Description  | Application   | Display/Interface  | Protocol          |
|--|--|---|--|-------------------|
| <p style="text-align: center;"><b>FX10</b></p>  | <p>The FX10 microprocessor control is self contained control featuring LP, LOC, HP, LWT, and condensate overflow fault modes can be displayed on BAS system. Optional handheld Medium User Interface (MUI) Control can be used for additional setup or servicing. Program customization is possible.</p> | <p>Cannot be integrated with centralized building automation systems. Software can be customized for specific projects.</p> | <p>Optional Medium User Interface (MUI) can be used as a field service tool.</p> | <p>Standalone</p> |

## Affinity Series Controls - FX10

### FX10 Advanced Control Overview

- The Johnson Controls FX10 board is specifically designed for commercial heat pumps and provides control of the entire unit as well as input ports for Open N2, LonTalk, BACnet (MS/TP @ 19,200 Baud Rate) communication protocols as well as an input port for a user interface. The user interface can be used to aid in diagnostics and unit setup and is standard on all Affinity units. A 16-pin low voltage terminal board provides terminals for common field connections. The FX10 Control provides:
  - Operational sequencing
  - High and low-pressure switch monitoring
  - General lockout
  - Advanced Freeze Detection Temperature Sensing
  - Lockout mode control
  - Emergency shutdown mode
  - Random start and short cycle protection

### Short Cycle Protection

Allows a minimum compressor "off" time of five minutes and a minimum "on" time of two minutes.

### Random Start

A delay of 1 to 120 seconds is generated after each power-up to prevent simultaneous startup of all units within a building after the release from an unoccupied cycle or power loss.

### Emergency Shutdown

A field-applied dry contact can be used to place the control into emergency shutdown mode. During this mode, all outputs on the board are disabled.

### Freeze Detection Temperature Limit

Field selectable for 15°F or 33°F (-9.4° or 0.6°C)

### Installation Options

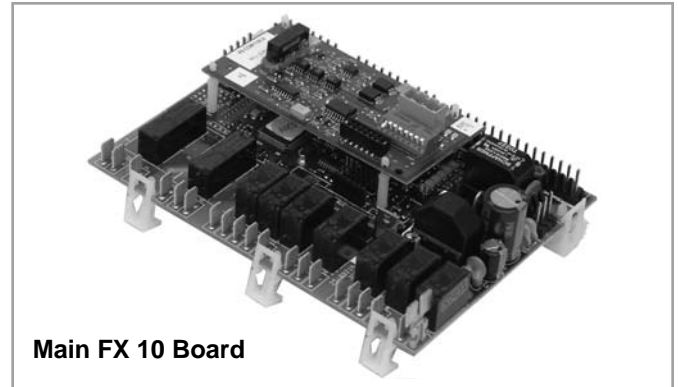
- Standalone controlled by an aquastat
- Integrated into BAS by adding communication module

### Accessory Outputs

Quantity 1. Cycled with the compressor. Field selectable for normally open (factory default) or normally closed through the building automation system or user interface.

### User Interface

4 x 20 backlit LCD



Main FX 10 Board

### Optional Plug-in Communication Modules - (compatible with standard BAS protocols)

- Open N2
- LonTalk
- BACnet (MS/TP @ 19,200 Baud Rate)

### Display

One local display is standard on all Affinity units. Up to 2 displays, either 1 local and 1 remote, or 2 remote. (A 2-display configuration requires identical displays.) Local display can be up to 3 meters from the controller, power supply, and data communication. Remote display can be up to 300 meters from the controller. Remote display must be independently powered with data communication done via 3 pole shielded cable.

### Control Timing & Fault Recognition Delays

|   |               |
|---|---------------|
| Lead compressor "ON" delay .....              | 90 seconds    |
| (not applicable for single compressor models) |               |
| Minimum compressor "ON" time.....             | 2 minutes     |
| (except for fault condition)                  |               |
| Short cycle delay .....                       | 5 minutes     |
| Random start delay .....                      | 0-120 seconds |
| High pressure fault .....                     | <1 second     |
| Low pressure fault .....                      | 30 seconds    |
| Freeze detection fault.....                   | 0-30 seconds  |
| Low pressure fault bypass.....                | 2 minutes     |

## Affinity Series Controls - FX10

### FX10 Microprocessor and BAS System



The FX10 is a microprocessor based control that not only monitors and controls the heat pump but also can communicate any of this information back to the building automation system (BAS). This means that not only does the control monitor the heat pump at the unit you can also monitor and control many of the features over the BAS. This clearly puts the FX10 in a class of its own.

The control will enumerate all fault conditions (HP, LP, LOC, and Freeze Detection) over a BAS as well as display them on a medium user interface (MUI). HP, LP, and Freeze Detection faults can all be reset over a BAS. A Loss Of Charge fault can not be reset or bypassed until the problem has been corrected. A MUI is invaluable as a service tool for the building service team.

The unit can be commanded to run by applying Y1, Y2, and B commands to the terminal board or commanded through a BAS. The control board is wired with quick connect harnesses for easy field change out of a faulty control board. An alarm history can be viewed through the MUI and will be held in memory until the unit is power cycled.

The FX10 control has unused analog and digital inputs for field installed items such as water temperature or current status switches. The control has unused binary and PWM outputs that can be commanded over the BAS for field use. A Medium User Interface (MUI) for control setup and advanced diagnostics is standard on all Affinity units.

#### Standard Features

- Anti Short Cycle
- High Pressure Protection
- Low Pressure Protection
- Freeze Detection
- Loss of Charge Detection
- Random Start
- Display for diagnostics
- Reset Lockout at disconnect or through BAS
- 1 Accessory outputs
- Optional BAS add-on controls
- Compressor Lead/Lag

#### DDC Operation & Connection

Other optional network protocol boards that can be added to the FX10 are:

- Johnson Control N2
- LonWorks
- BACnet
  - MS/TP @ 19,200 Baud rate
  - Limit devices to 30 on a single trunk line.

#### Control and Safety Feature Details Emergency Shutdown

The emergency shutdown mode can be activated by a command from a facility management system or a closed contact on BI-2. The default state for the emergency shutdown data point is off. When the emergency shutdown mode is activated, all outputs will be turned off immediately and will remain off until the emergency shutdown mode is de-activated. The first time the compressor starts after the emergency shutdown mode has been de-activated, there will be a random start delay present.

#### Lockout Mode

Lockout mode can be activated by any of the following fault signals: refrigerant system high pressure, refrigerant system low pressure, or freeze detection. When any valid fault signal remains continuously active for the length of its recognition delay, the controller will go into fault retry mode, which will turn off both compressors. After the compressor short cycle delay, the compressors will attempt to operate once again. If three consecutive faults occur in 60 minutes, the unit will go into lockout mode, turning off the compressor(s), enabling the alarm output until the controller is reset. If the control faults due to the low pressure input being open during the pre-compressor startup check, the control will go into lockout mode immediately, disabling the compressors from starting and enabling the alarm output. The lockout condition can be reset by powering down the controller, by a command from the BAS, or by the holding the ESC and Return keys on the user interface for 5 seconds. **NOTE: See freeze detection section for more detail.**



#### Affinity Freeze Danger Detection

The Affinity source and load heat exchangers are protected by a multi-sourced temperature logic strategy, primarily based on refrigerant temperature sensed as the refrigerant is about to enter the heat exchanger. Also the entering and leaving water temperatures are used as influencing factors.

## Affinity Series Controls - FX10 cont.

### Basic Freeze Detection Operation: “Comp1 or Comp2 Freeze” Alarm

This alarm can be triggered by one of two detection schemes.

#### Hard Limit Freeze Detection

If the refrigerant temperature drops below the freeze detection setpoint by 1.8°F, the associated compressor is locked out immediately regardless of any other factors and requires a manual reset. **NOTE: This Lockout produces a “Comp 1 or Comp 2 Freeze” error on the MUI display.**

#### Freeze Detection

The refrigerant temperature is compared to the freeze detection setpoint (15°F [antifreeze] or 33°F [water] field selectable), and if the temperature falls below the setpoint for 30 continuous seconds, the associated compressor will be halted. This function becomes enabled after the first two minutes of compressor operation. Three such events in 60 minutes will trigger a compressor lockout that requires a manual reset. **NOTE: This Lockout produces a “Comp 1 or Comp 2 Freeze” error on the MUI display.**

#### In addition to the above:

##### *Entering Water Temperature Influence*

If the entering water temperature of the evaporative heat exchanger is within 10°F of the freeze setpoint, the previously mentioned two minute delay will be eliminated. This allows the freeze detection to operate immediately when the compressor starts based on entering water temperature.

##### *Leaving Water Temperature Influence*

If the leaving water temperature of the evaporative heat exchanger is within 10°F of the freeze setpoint, the previously mentioned 30 second delay will begin to be proportionately reduced, ending at a 1 second delay when the leaving water temperature is 1.5°F above the freeze setpoint.

##### *Dual Circuited Heat Exchanger Protection*

A low temperature condition on either refrigerant circuit will prevent the start of both compressors. If the low temperature condition exists for 5 minutes when both compressors are off, a lockout is triggered for both compressors. However, if –for instance–both compressors are operating and circuit 1 experiences a refrigerant temperature below the freeze detection setpoint such that compressor 1 is halted, compressor 2 will not be halted as a result.

### Advanced Freeze Detection Operation: “Pre Freeze” Alarm

#### Predictive freeze condition detection:

If the refrigerant temperature is within 7.2°F of the freeze detection setpoint, the predictive freeze detection algorithm is enabled, and if the logic determines that a freeze condition is likely to happen based on current conditions, the compressor of the involved refrigerant circuit is immediately stopped.

Three (3) such events in 60 minutes will trigger a compressor lockout that requires a manual reset. In the absence of such a condition, the compressor is allowed to operate so that the

refrigerant temperature may eventually be at the threshold of the freeze detection setpoint. **NOTE: This Lockout produces a “Pre Freeze” detection error on the MUI display.**

#### Capacity Limiting

If the leaving water temperature drops to 1.8°F above the freeze detection setpoint, the lead compressor is halted. When the leaving water temperature rises to 3.6°F above the freeze detection setpoint, it will be allowed to resume operation. This limiting is allowed to repeat indefinitely with no lockout or indication on the display.

If the leaving water temperature drops to the freeze detection setpoint, the lag compressor is halted. When the leaving water temperature rises to 1.8°F above the freeze detection setpoint, it will be allowed to resume operation. This limiting is allowed to repeat indefinitely with no lockout or indication on the display.

#### High Pressure

The high-pressure switch shall be a normally closed (NC) switch that monitors the systems refrigerant pressure. If the input senses the high-pressure switch is open it must disable the compressor output immediately and count the fault. The compressor minimum on time does not apply if the high-pressure switch opens. The compressor will not restart until the compressor short cycle time delay has been satisfied.

#### Low Pressure

The low-pressure switch shall be a normally closed (NC) switch that monitors the systems refrigerant pressure. The control checks the input 15 seconds before compressor start up and then ignored for the first 2 minutes after the compressor output (BO-2) is enabled. If the switch is open continuously for 30 seconds during compressor operation the compressor output (BO-2) will be disabled. The compressor will not restart until the compressor short cycle time delay has been satisfied.

#### Alarm Outputs

The control has two alarm outputs, one for each compressor circuit. These 24VAC outputs are designated as LC1 (compressor 1) and LC2 (compressor2) on the low voltage terminal board.

#### Test Mode

By holding the ESC and down arrow keys on the MUI for 5 seconds will put the control into test mode. In test mode the random start delay and the compressor fixed on delay time will both be shortened to 5 seconds and the reversing valve will be allowed to cycle with out shutting down the compressor. If an MUI is connected to the control LED 8 will flash and the words “Test Mode Enabled” will be shown on the LCD display when the control is in test mode. Test mode will be disabled after a power cycle, 30 minute timeout, or by holding the ESC and Up arrow keys on the MUI.

## Affinity Series Controls - FX10 cont.

### Sequence of Operation

#### Power Fail Restart

When the controller is first powered up, the outputs will be disabled for a random start delay. The delay is provided to prevent simultaneous starting of multiple heat pumps. Once the timer expires, the controller will operate normally.

#### Random Start Delay

This delay will be used after every power failure, as well as the first time the compressor is started after the control exits the unoccupied mode or the emergency shutdown mode. The delay should not be less than 1 second and not longer than 120 seconds. If the control is in test mode the random start delay will be shortened to 5 seconds.

#### Lead Compressor Start Delay Time

The Lead Compressor Fixed On Delay Time will ensure that the lead compressor output is not enabled for 90 seconds after the control receives a call to start the compressor. This delay is adjustable from 30 – 300 seconds over a BAS or a MUI. If the control is in test mode the Lead Compressor Start Delay Timer will be shortened to 5 seconds.

#### Lag Compressor Start Delay Time

The Lag Compressor Fixed On Delay Time will ensure that the lag compressor output is not enabled for 120 seconds after the control receives a call to start the compressor. If the control is in test mode the Lag Compressor Start Delay Timer will be shortened to 5 seconds.

#### Compressor Minimum On Delay

The compressor minimum on delay will ensure that the compressor output is enabled for a minimum of two (2) minutes each time the compressor output is enabled. This will apply in every instance except in the event the high pressure switch is tripped or emergency shutdown then the compressor output will be disabled immediately.

#### Compressor Minimum Off Delay Time

The compressor minimum time delay will ensure that the compressor output will not be enabled for a minimum of five (5) minutes after it is disabled. This allows for the system refrigerant pressures to equalize after the compressor is disabled.

#### Compressor Lead/Lag

Compressor lead/lag is a standard part of the FX10 control system. The unit is shipped from the factory with lead/lag enabled. Lead/lag can be activated through the unit mounted user interface. Lead/lag will always start the compressor with the least amount of runtime and stop the compressor with the longest runtime.

### Heating Cycle

The control will position the reversing valve for heating mode when there is no command on the O/B terminal on the terminal board. The compressor will be commanded by Y1 and Y2.

### Cooling Cycle

The control will position the reversing valve for cooling mode when there is a command on the O/B terminal on the terminal board. The compressor will be commanded by Y1 and Y2.

### MUI Alarm History Reporting

If a fault occurs the fault will be recorded in history for display on the medium user interface in the History Menu. Each fault type will be displayed in the history menu with a number between 0 and 3. A reading of 3+ will mean that fault has occurred more than three times in the past. The history menu can be cleared with a power cycle only. Alarm date and time are not included in the history.

## Inputs and Outputs Configuration

### Field Selectable Options

#### Load and Source Freeze Detection Setpoint

The freeze detection setpoint input allows you to adjust the freeze detection setpoint for either the load or source sides of the heat pump. When the jumper is installed on BI-5 the load freeze detection setpoint is factory set for 33°F. When the jumper on BI-5 is removed the load freeze detection setpoint will be 15°F. When the jumper is installed on BI-4 the source freeze detection setpoint is factory set for 33°F. When the jumper on BI-4 is removed the source freeze detection setpoint will be 15°F. **NOTE: Piping circuit must be antifreeze protected to the set levels or the warranty will be voided.**

#### Accessory Output

The Accessory Output will be energized 90 seconds prior to the lead compressor output being energized. When both compressor outputs are turned off the accessory output will be deactivated immediately. This output is selectable for normally open or normally closed operation through the Medium User Interface or through the Building Automation System.

## Control Accessories

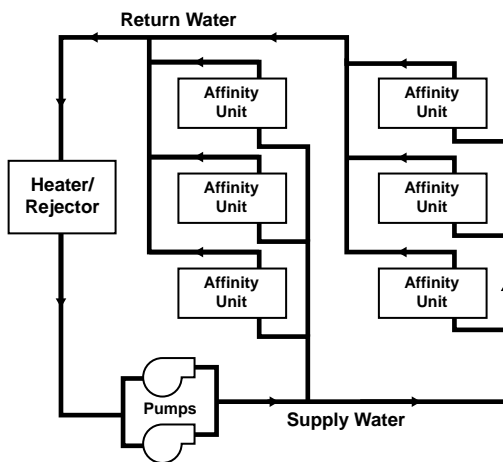
- A99 Sensor
- MUI (LCD User interface) for diagnostics and commissioning
- MUIK3 - Panel Mount, Portable
- MUIK4 - Wall Mount

## Affinity Series Application Notes

### The Closed Loop Heat Pump Concept

The basic principle of a water source heat pump is the transfer of heat into water from the space during cooling, or the transfer of heat from water into the space during heating. Extremely high levels of energy efficiency are achieved as electricity is used only to move heat, not to produce it. Using a typical Affinity Series, one unit of electricity will move four to five units of heat.

When multiple water source heat pumps are combined on a common circulating loop, the ultimate in energy efficiency is created: Our geothermal units on cooling mode are adding heat to the loop which the units in heating mode can absorb, thus removing heat from the area where cooling is needed, recovering and redistributing that heat for possible utilization elsewhere in the system. In modern commercial structures, this characteristic of heat recovery from core area heat generated by lighting, office equipment, computers, solar radiation, people or other sources, is an important factor in the high efficiency and low operating costs of our closed source heat pump systems.



In the event that a building's net heating and cooling requirements create loop temperature extremes, Affinity Series units have the extended range capacity and versatility to maintain a comfortable environment for all building areas. Excess heat can be stored for later utilization or be added or removed in one of three ways; by ground-source heat exchanger loops: plate heat exchangers connected to other water sources, or conventional cooler/boiler configurations. Your representative has the expertise and computer software to assist in determining optimum system type for specific applications.

### The Closed Loop Advantage

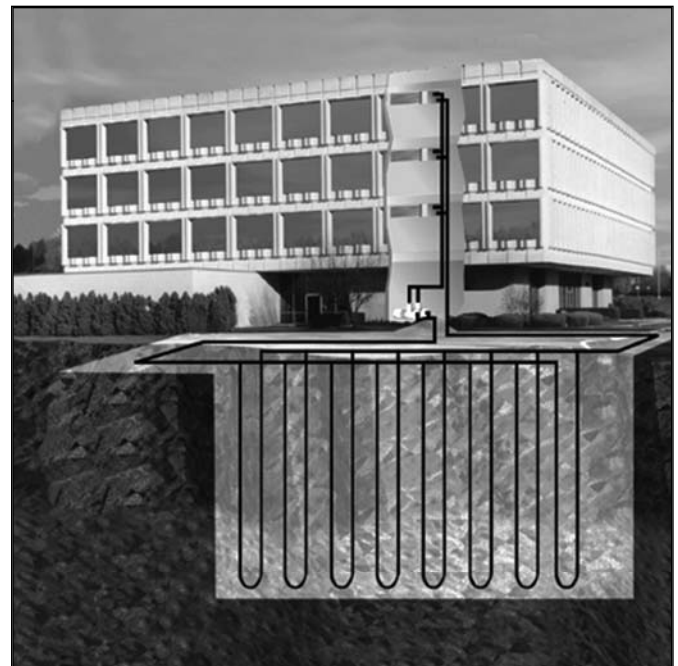
A properly applied water source heat pump system offers many advantages over other systems. First costs are low because units can be added to the loop on an "as needed basis"- perfect for speculative buildings. Installed costs are low since units are self-contained and can be located adjacent to the occupied space, requiring minimal ductwork. Maintenance can be done

on individual units without system shut-down. Conditions remain comfortable since each unit operates separately, allowing cooling in one area and heating in another. Tenant spaces can be finished and added as needed. Power billing to tenants is also convenient since each unit can be individually metered: each pays for what each uses. Nighttime and/or weekend uses of certain areas are possible without heating or cooling the entire facility. A decentralized system also means if one unit should fault, the rest of the system will continue to operate normally, as well as eliminating air cross-contamination problems and expensive high pressure duct systems requiring an inefficient electric resistance reheat mode.

### Affinity Series Approach

There are a number of proven choices in the type of Affinity Series system which would be best for any given application. Most often considered are:

#### *Closed Loop/Ground Source Vertical*



• **Closed Loop/Ground-Source Systems** utilize the stable temperatures of the earth to maintain proper water source temperatures (via vertical or horizontal closed loop heat exchangers) for Affinity Series extended range heat pump system. Sizes range from a single unit through many hundreds of units. When net cooling requirements cause closed loop water temperatures to rise, heat is dissipated into the cooler earth through buried high strength plastic pipe "heat exchangers." Conversely if net space heating demands cause loop heat absorption beyond that heat recovered from building core areas, the loop temperature will fall causing heat to be extracted from the earth. Due to the extended loop temperatures, AHRI/ISO 13256-1 Ground Loop Heat Pumps are required for this application.

## Affinity Series Application Notes cont.

Because auxiliary equipment such as a fossil fuel boiler and cooling tower are not required to maintain the loop temperature, operating and maintenance costs are very low. Ground-source systems are most applicable in residential and light commercial buildings where both heating and cooling are desired, and on larger envelope dominated structures where core heat recovery will not meet overall heating loads. Both vertical and horizontally installed closed-loops can be used. The land space required for the "heat exchangers" is 100-250 sq. ft./ton on vertical (drilled) installations and 750-1500 sq. ft./ton for horizontal (trenched) installations. Closed loop heat exchangers can be located under parking areas or even under the building itself.

On large multi-unit systems, sizing the closed loop heat exchanger to meet only the net heating loads and assisting in the summer with a closed circuit cooling tower may be the most cost effective choice.

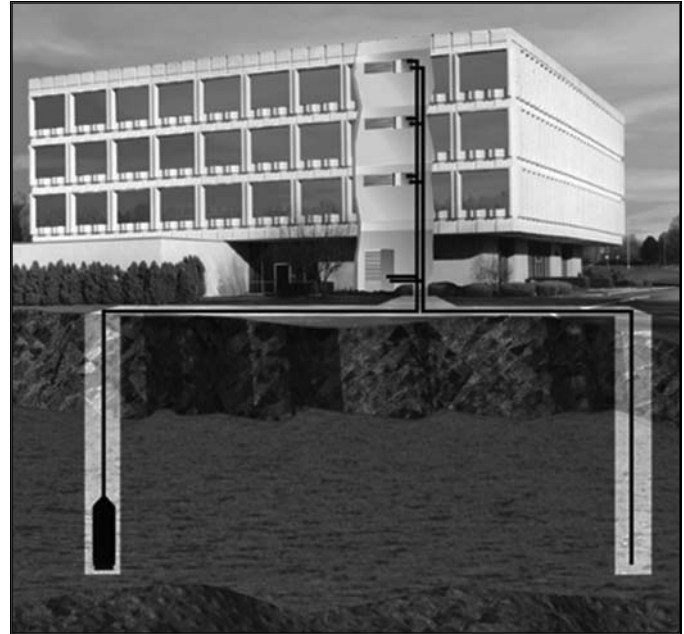
### **Closed Loop/Ground Source Surface Water**



• **Closed Loop/Ground-Source Surface Water Systems** also utilize the stable temperatures of Surface Water to maintain proper water source temperatures for Affinity Series extended range heat pump systems. These systems have all of the advantages of horizontal and vertical closed loop systems. Due to the extended loop temperatures, AHRI/ISO 13256-1 Ground Water or Ground Loop Heat Pumps are required for this application.

In cooling dominated structures, the ground-source surface water systems can be very cost effective especially where local building codes require water retention ponds for short term storage of surface run-off. Sizing requirements for the surface water is a minimum of 500 sq. ft./ton of surface area at a minimum depth of 8 feet. The supplier should be contacted when designs for heating dominated structures are required.

### **Closed Loop/Ground Water Plate Heat Exchanger**



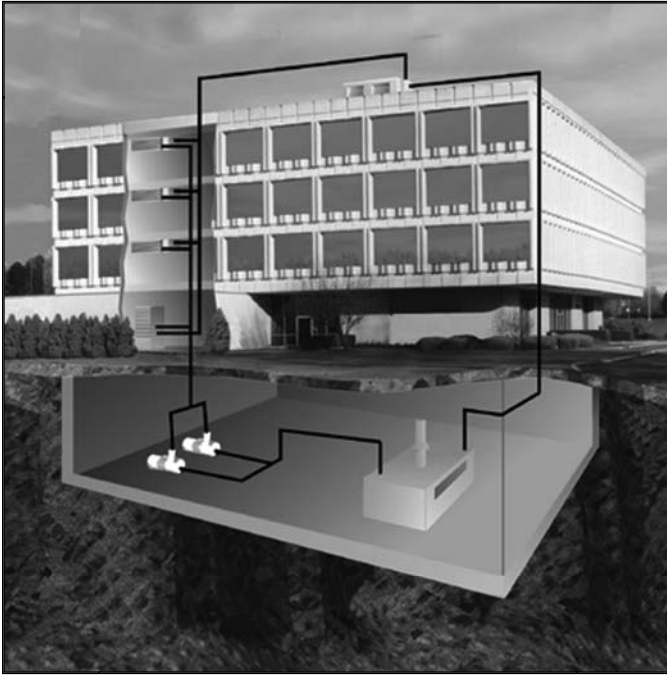
• **Closed Loop/Ground Water Plate Heat Exchanger Systems** utilize lake, ocean, well water or other water sources to maintain closed loop water temperatures in multi-unit Affinity Series systems. A plate frame heat exchanger isolates the units from any contaminating effects of the water source, and allows periodic cleaning of the heat exchanger during off peak hours.

Operation and benefits are similar to those for ground-source systems. Due to the extended loop temperatures, AHRI/ISO 13256-1 Ground Loop Heat Pumps are required for this application. Closed loop plate heat exchanger systems are applicable in commercial, marine, or industrial structures where the many benefits of a water source heat pump system are desired, regardless of whether the load is heating or cooling dominated.



## Affinity Series Application Notes cont.

### *Closed Loop Cooler - Boiler*



• **Closed Loop /Cooler-Boiler Systems** utilize a closed heat recovering loop with multiple water source heat pumps in the more conventional manner. Typically a boiler is employed to maintain closed loop temperatures above 60°F and a cooling tower to maintain loop temperatures below 90°F. These systems are applicable in medium to large buildings regardless of whether the load is heating or cooling dominated. Due to the moderate loop temperatures, AHRI/ISO 13256-1 Water Loop Heat Pumps are required for this application.

## Affinity Series Application Notes cont.

Heating with hot water is versatile because there are many ways of distributing the heat through the building. The options range from heavy cast iron radiators seen in older buildings to modern, baseboard-style convection radiation, and from invisible radiant floor heating to forced air systems using fan coil units.

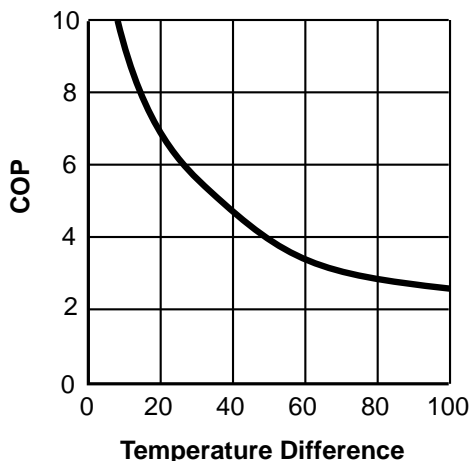
A boiler is often used to make domestic hot water and to heat swimming pools or hot tubs.

The various distribution systems have all been used successfully with a geothermal heat pump system. When designing or retrofitting an existing hydronic heating system, however, the water temperature produced by the heat pump is a major consideration.

In general, heat pumps are not designed to produce water above 130°F. The efficiency decreases as the temperature difference ( $\Delta T$ ) between the heat load (generally the earth loop) and the supply water (to the distribution system) increases. Figure 1 illustrates the effect of source and load temperatures on the system. The heating capacity of the heat pump also decreases as the temperature difference increases.

When using the various types of hydronic heat distribution systems, the temperature limits of the geothermal system must be considered. In new construction, the distribution system can easily be designed with the temperature limits in mind. In retrofits, care must be taken to address the operating temperature limits of the existing distribution system.

**Figure 1:** As the  $\Delta T$  increases, the Coefficient of Performance (COP) decreases. When the system produces 130°F water from a 30°F earth loop, the  $\Delta T$  is 100°F, and the COP is approximately 2.5. If the system is producing water at 90°F, the  $\Delta T$  is 60°F and the COP rises to about 3.8, an increase of over 50%.



### Baseboard Radiation

In existing systems, baseboard radiation is typically designed to operate with 160° to 240°F water or steam. Baseboard units are typically copper pipe with aluminum fins along the length of the pipe, as shown in Figure 2. A decorative cover is normally fitted over the fin tube.

The operation of a baseboard radiation system depends on setting up a convection current in the room: air is warmed by the fin tube, rises and is displaced by cool air.

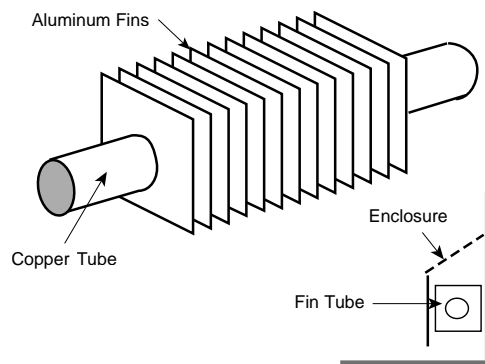
The heating capacity of a baseboard system is a factor of the area of copper tube and fins exposed to the air and the temperature difference between the air and the fin tube. The velocity and volume of water flowing through the baseboard affects the temperature of the copper and fins. Baseboard units are normally rated in heat output/length of baseboard at a standard water temperature and flow. Manufacturers can provide charts which will give the capacities at temperatures and flows below the standard. Figure 3 shows approximate heating capacities for fin tube radiation using water from 100 to 130°F water.

Baseboards are available using two or three fin tubes tied above one another in the same cabinet. With the additional surface area, the air can be heated enough to set up a convection current with water temperatures as low as 110° to 130°F (see Figure 3).

It is important to ensure that the heat output of the system is adequate to meet the heat loss of the room or building at the temperatures the geothermal system is capable of producing.

Baseboard radiation is limited to space heating. Cooling is typically provided by a separate, forced air distribution system.

**Figure 2:** Baseboard radiators are typically constructed of copper tube with closely spaced aluminum fins attached to provide more surface area to dissipate heat. Some of the factors affecting the amount of heat given off by fin tube radiators are the water temperature, water velocity, air temperature, and fin spacing and size.



## Affinity Series Application Notes cont.

The heating capacity (Btuh/linear foot) of baseboard radiators drop as the water temperature is reduced. The heating capacity of most baseboard radiators is rated using 200°F water, 65°F air temperature. Listed in Figure 3 is the range of heating capacities of baseboard radiators at the standard temperatures and the range of capacities when the temperatures are reduced to the operating range of a heat pump system. Some of the factors that affect the capacity of a radiator are:

- Size of the fins - range from 2.75 in. x 3 in. to 4 in. x 4 in.
- Fin spacing - 24 to 48/foot
- Diameter of copper tube - range from .75 in. to 2 in.
- Fin material - aluminum or steel
- Configuration and height of the enclosure
- Height unit is mounted from the floor
- Water flow through the radiator

Generally, the smaller fins with fewer fins/foot will have lower heating capacity. Larger copper tube diameter and aluminum fins will have a higher capacity. Higher water flow will increase capacity. Adding a second fin tube to the same enclosure will increase the capacity by 50 to 60%. Adding two fin tubes will increase the capacity by 75 to 80%.

**Figure 3:** Heating output per linear foot

| Average Water Temp. | Entering Air Temperatures |         |         |
|---------------------|---------------------------|---------|---------|
|                     | 55°F                      | 65°F    | 70°F    |
| 110°F               | 190-380                   | 160-320 | 150-300 |
| 120°F               | 240-480                   | 205-410 | 195-390 |
| 130°F               | 295-590                   | 265-532 | 245-490 |

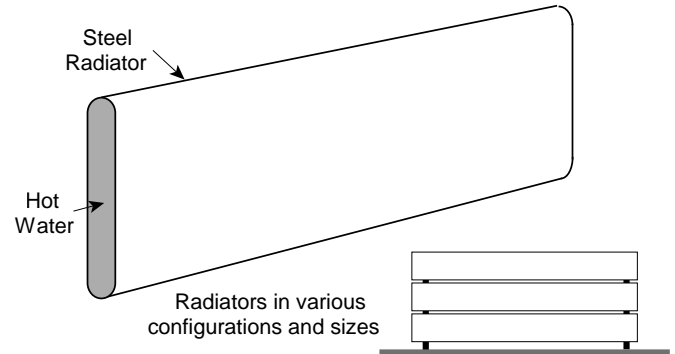
### Cast Iron Radiation

Retrofit applications for hydronic/geothermal heat pump systems are often required to work with existing cast iron radiators or their replacements (see Figure 4). Typically, cast iron radiator systems operate with water temperatures of 125° to 160°F.

These temperatures are higher than geothermal water-to-water heat pumps are capable of providing. Cast iron radiators can work with geothermal systems, provided the heat output of the radiators will meet the maximum heat loss of the building at the lower temperatures.

If the insulation of the building has been upgraded since the original installation, it is possible that the lower temperatures will be able to meet the reduced heat loss of the building.

**Figure 4:** Baseboard System



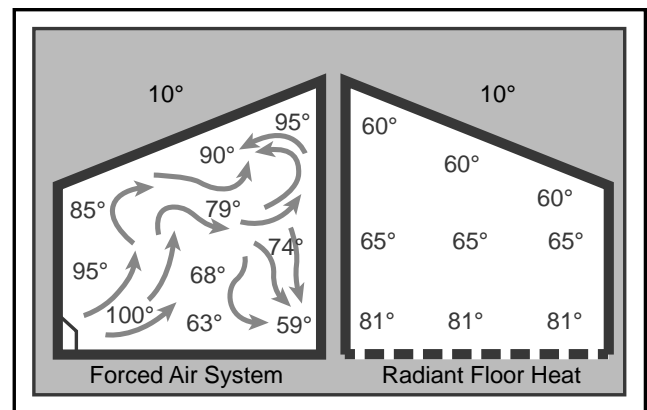
### Radiant Floor Heating

Radiant floor heating has been the system of choice in many parts of Europe for some time. Manufacturers have developed tubing designed for installation in concrete floors and raised wood floors.

Floor heating systems have several benefits in residential, commercial and industrial heating applications. In a building with a radiant floor heating system, the entire floor acts as a heat source for the room. People feel comfortable with lower air temperatures if their feet are warm. Typically the space will feel comfortable with air temperatures as low as 65°F. Since the heat loss of a building is directly related to the temperature difference ( $\Delta T$ ) between the inside and outside, a lower  $\Delta T$  means the heat loss is lower.

Air temperatures in a room with a forced air heating system tend to be warmer nearer to the ceiling than the floor (see Figure 5). The hot air rises and creates a greater pressure imbalance between the inside and outside. The infiltration increases, resulting in a higher heat loss. Air temperatures in a room with radiant floor heating tend to be warmer at the floor than the ceiling, helping to cut down on infiltration in the building. The energy savings in a building with radiant floor heating can range from 10 to 20%.

**Figure 5:** Temperature Comparison



## Affinity Series Application Notes cont.

A floor heat system can be designed to heat a building with water temperatures as low as 90°F.

Figure 1 shows how a geothermal system operates more efficiently with a lower  $\Delta T$  between the source and the load. With only a 60°F temperature difference, a geothermal heat pump will operate at COPs over 4, about 20% higher than a forced air geothermal system in the same installation.

Some of the factors affecting the heating capacity of a floor heating system are as follows:

- The type of finish flooring
- The spacing of the pipe
- The water flow through the pipe
- The temperature of the supply water
- The floor material (wood, concrete or poured Gypcrete™)
- Insulation value under the floor
- The piping layout

The spacing of the pipe in residential applications can vary from 4 in. to 12 in. If the spacing is too large, the temperature of the floor can vary noticeably. In industrial applications, variation in the floor temperature is not as important, and the spacing is related directly to the heat output required.

Radiant floor heating systems work well with geothermal heat pump systems. For efficient operation, the system must be designed with the lowest possible water temperatures.

There are some drawbacks with a radiant floor heating system. Air conditioning is only possible by adding a second system using forced air. This can add substantial cost to an installation where air conditioning is also needed. A separate air handling system is needed to clean the air or to introduce fresh air.

Industrial buildings, especially those with high ceilings and large overhead doors, have an advantage with a radiant floor heating system. Heat is stored in the concrete floor, and when a door is opened, the stored heat is immediately released to the space. The larger the  $\Delta T$  between the air in the space and the floor, the quicker the floor releases its heat to the space.

Maintenance garages benefit from radiant floor heating systems. Cold vehicles brought into the garage are warmed from underneath. The snow melts off the vehicle and dries much more quickly than when heated from above.

Some pipe manufacturers include an oxygen diffusion barrier in the pipe to prevent oxygen diffusion through the pipe. Good system design and careful installation, however, will eliminate virtually all of the problems encountered with air in the system. Like earth loop design, it is important to design the system to facilitate flushing the air initially and ensuring that the flows can be balanced properly.

## Fan Coil Units and Air Handlers

Fan coil units, air handlers, force flow units, etc. are all basically a hot water radiator or coil (usually copper piping with aluminum fins) with a fan or blower to move the air over the coil (see Figure 6). The term “fan coil units” typically applies to smaller units that are installed in the zone or area in which heating (or cooling) is needed. They are available in many different configurations, sizes and capacities. Fan coil units are designed to be connected to a ductwork system and can be used to replace a forced air furnace. Other units are designed for use without ductwork and are mounted in a suspended ceiling space with only a grill showing in place of a ceiling tile. Some can be mounted on a wall under a window, projecting 8 in. to 10 in. into the room or even flush to the wall surface, mounted between wall studs. Some are available with or without finished, decorative cabinets. For industrial applications, inexpensive “unit heaters” are available, with only a coil and an axial fan. Fan coil units and unit heaters are normally available with air handling capacities of 200 to 2,000 cfm.

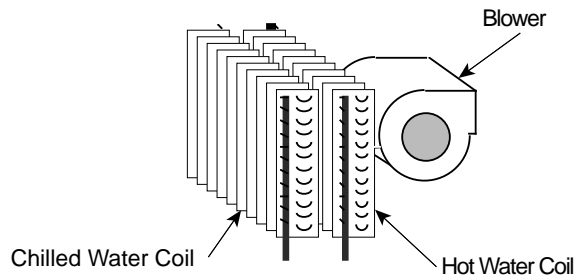
The term “air handler” normally applies to larger units, mounted in mechanical rooms, mechanical crawl spaces or rooftops. They typically have an air handling capacity of over 2,000 cfm and are available for capacities of up to 50,000 cfm. Air handlers are typically built for a specific installation and are available with many different types of heating and cooling coils. They can include additional coils for heating make-up air, dehumidification and exhaust air heat recovery.

Fan coils and air handlers typically have one or two coils and a blower. Air is heated by hot water circulated through the hot water coil. Chilled water is circulated through the coil if air conditioning is needed. Blowers can be provided to fit various applications, with or without duct-work. Unit heaters typically use axial fans in applications where ductwork is not needed.

Fan coil units and air handlers are used in many different applications. They have been used to heat buildings using water temperatures as low as 90° to 100°F. New systems can be designed to operate very efficiently with a geothermal system.

## Affinity Series Application Notes cont.

**Figure 6:** Fan Coils



### Cooling with a Hydronic System

Cooling a building with an existing radiant hydronic heating system can be a challenge. If baseboard, cast iron radiators or a radiant floor heating system is cooled lower than the dew point, condensation will form on the floor or drip off the radiators.

There is generally minimal or no ductwork for ventilation in existing buildings with radiant hydronic heat. Typically, cooling is provided with separate units where it is needed. This is often done using through-the-wall or window air conditioners, ductless split air conditioning units, or rooftop units.

A water-to-water heat pump system can provide water to ducted or unducted fan coil units. The system can provide chilled water to cool the building, as well as hot water for the heating system when needed.

A limited amount of cooling can be done by circulating chilled water through the piping in the floor. This can be effective in buildings with high solar loads or lighting loads, where much of the heat gain is radiant heat being absorbed by the floor. Cooling fresh air used for ventilation as it is brought into the building, using a chilled water coil, can sometimes provide the additional cooling needed. Care must be taken to avoid cooling the floor below the dew point because condensation may form on the floor.

Buildings with fan coil units and air handlers can generally be easily retrofitted for cooling. Often it is simply a matter of adding a cooling coil to the existing air handlers and fan coil units. Water-to-water heat pumps can provide hot water for the heating coils as well as chilled water for the air conditioning.

### Controls

The control of a mechanical system determines how it functions. For the building to work efficiently and comfortably, the building owner or manager must understand what the system is doing and how to control it.

As Figure 1 shows, the efficiency of a heat pump is a factor of the difference in temperature between the source and the load. The heat loss or heat gain of a building varies with the weather and the use of the building. As the outdoor temperature decreases, the heat loss of the building increases. When the ventilation system is started up, the heating or cooling loads increase. As the occupancy increases, lighting or the solar gain increases, and the cooling load increases. At times the building may require virtually no heating or cooling.

With hydronic heating and cooling distribution equipment, whether it is baseboard radiation, fan coil units or radiant floor heating, the output of the equipment is directly related to the temperature and velocity of the water flowing through it. Baseboard radiation puts out approximately 50% less heat with 110°F water than with 130°F water. The same is true with fan coil units and radiant floor heating.

If a system is designed to meet the maximum heat loss of a building with 130°F water, it follows that if the heat loss is 50% lower when the outdoor temperature is higher and the building has high internal gains because of lighting and occupancy, the lower heat loss can be met with 110°F water. This greatly increases the COP of the heat pumps.

The same control strategy is equally effective in cooling. During peak loads, water chilled to 40°F may be needed; at other times 55°F water will provide adequate cooling. Significant increases in the EER can be achieved. Latent loads must always be considered when using warmer water.

## Flow Rates

### Load Flow Rate

The load flow on all water to water products including the Affinity Series should be 3 gpm per ton (typically the rated flow and the highest flow shown in the capacity charts). Refer to the table below. This flow rate is required especially when heating water to limit the effects of the higher condensing temperatures of water heating for radiant floor heating or domestic water use.

|            | Source Flow Rate  |                  |                                     |    | Load Flow Rate |
|------------|-------------------|------------------|-------------------------------------|----|----------------|
|            | Minimum Open Loop | Open Loop < 50°F | Closed Loop Range (Min - Full Flow) |    |                |
| <b>100</b> | 15                | 20               | 23                                  | 30 | 30             |
| <b>120</b> | 18                | 24               | 27                                  | 36 | 36             |
| <b>150</b> | 21                | 28               | 32                                  | 42 | 42             |
| <b>180</b> | 24                | 32               | 36                                  | 48 | 48             |

### Source Flow Rate

The source flow can range between 2.25 and 3 gpm per ton for earth loops. For open loop well water systems the minimum flow should be 1.5 gpm per ton. In earth loop systems where entering water temperatures are expected to be above 95°F, 3 gpm per ton should be used. In well systems where the water temperature is below 50°F, 2 gpm per ton should be used to avoid nuisance freeze detection trips.

# Water Quality

## General

Affinity systems may be successfully applied in a wide range of residential, commercial, and industrial applications. It is the responsibility of the system designer and installing contractor to ensure that acceptable water quality is present and that all applicable codes have been met in these installations.

## Water Treatment

The use of improperly treated or untreated water in this equipment may result in scaling, erosion, corrosion, algae or slime. The services of a qualified water treatment specialist should be engaged to determine what treatment, if any, is required. The product warranty specifically excludes liability for corrosion, erosion or deterioration of equipment.

The heat exchangers in the units are 316 stainless steel plates with copper brazing. The water piping in the heat exchanger is steel. There may be other materials in the building's piping system that the designer may need to take into consideration when deciding the parameters of the water quality.

If an antifreeze or water treatment solution is to be used, the designer should confirm it does not have a detrimental effect on the materials in the system.

## Contaminated Water

In applications where the water quality cannot be held to prescribed limits, the use of a secondary or intermediate heat exchanger is recommended to separate the unit from the contaminated water.

The following table outlines the water quality guidelines for unit heat exchangers. If these conditions are exceeded, a secondary heat exchanger is required. Failure to supply a secondary heat exchanger where needed will result in a warranty exclusion for primary heat exchanger corrosion or failure.

## Strainers

These units must have properly sized strainers upstream of both brazed plate heat exchangers to protect them against particles in the fluid. Failure to install proper strainers and perform regular service can result in serious damage to the unit, and cause degraded performance, reduced operating life and failed compressors. Improper installation of the unit (which includes not having proper strainers to protect the heat exchangers) can also result in voiding the warranty.

Field supplied strainers with 20-40 mesh (530-1060 microns) are recommended, with 30 mesh (800 microns) being the optimum choice. The strainers selected should have a mesh open area of at least 6 square inches (39 square centimeters) for each unit being serviced by the strainer. Using strainers with a smaller amount of open area will result in the need for more frequent cleaning.

Strainers should be selected on the basis of acceptable pressure drop, and not on pipe diameter. The strainers selected should have a pressure drop at the nominal flow rate of the units low enough to be within the pumping capacity of the pump being used.



**WARNING: Must have intermediate heat exchanger when used in pool applications.**

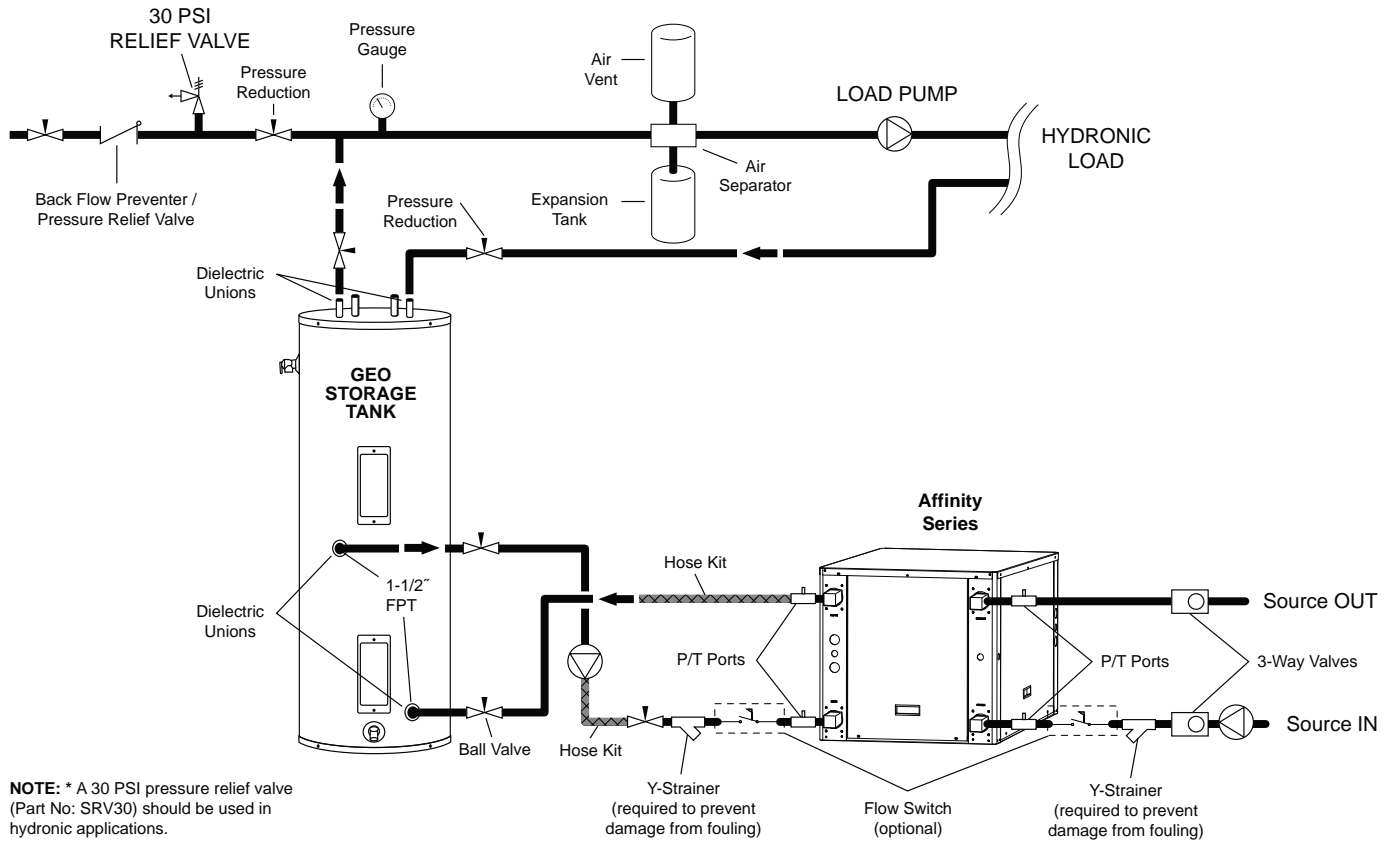
## Water Quality Guidelines

| Material                         |   | Copper  | 90/10 Cupronickel   | 316 Stainless Steel                                       |
|----------------------------------|---|---|---|---|
| pH                               | Acidity/Alkalinity  | 7 - 9   | 7 - 9   | 7 - 9   |
| Scaling                          | Calcium and Magnesium Carbonate                           | (Total Hardness) less than 350 ppm                        | (Total Hardness) less than 350 ppm                        | (Total Hardness) less than 350 ppm                        |
| Corrosion                        | Hydrogen Sulfide  | Less than 0.5 ppm (rotten egg smell appears at 0.5 ppm)   | 10 - 50 ppm   | Less than 1 ppm   |
|                                  | Sulfates  | Less than 125 ppm   | Less than 125 ppm   | Less than 200 ppm   |
|                                  | Chlorine  | Less than 0.5 ppm   | Less than 0.5 ppm   | Less than 0.5 ppm   |
|                                  | Chlorides   | Less than 20 ppm  | Less than 125 ppm   | Less than 300 ppm   |
|                                  | Carbon Dioxide  | Less than 50 ppm  | 10 - 50 ppm   | 10 - 50 ppm   |
|                                  | Ammonia   | Less than 2 ppm   | Less than 2 ppm   | Less than 20 ppm  |
|                                  | Ammonia Chloride  | Less than 0.5 ppm   | Less than 0.5 ppm   | Less than 0.5 ppm   |
|                                  | Ammonia Nitrate   | Less than 0.5 ppm   | Less than 0.5 ppm   | Less than 0.5 ppm   |
|                                  | Ammonia Hydroxide   | Less than 0.5 ppm   | Less than 0.5 ppm   | Less than 0.5 ppm   |
|                                  | Ammonia Sulfate   | Less than 0.5 ppm   | Less than 0.5 ppm   | Less than 0.5 ppm   |
|                                  | Total Dissolved Solids (TDS)                              | Less than 1000 ppm  | 1000 - 1500 ppm   | 1000 - 1500 ppm   |
|                                  | LSI Index   | +0.5 to -0.5  | +0.5 to -0.5  | +0.5 to -0.5  |
| Iron Fouling (Biological Growth) | Iron, FE <sup>2+</sup> (Ferrous) Bacterial Iron Potential | < 0.2 ppm   | < 0.2 ppm   | < 0.2 ppm   |
|                                  | Iron Oxide  | Less than 1 ppm, above this level deposition will occur   | Less than 1 ppm, above this level deposition will occur   | Less than 1 ppm, above this level deposition will occur   |
| Erosion                          | Suspended Solids  | Less than 10 ppm and filtered for max. of 600 micron size | Less than 10 ppm and filtered for max. of 600 micron size | Less than 10 ppm and filtered for max. of 600 micron size |
|                                  | Threshold Velocity (Fresh Water)                          | < 6 ft/sec  | < 6 ft/sec  | < 6 ft/sec  |

NOTES: Grains = ppm divided by 17  
mg/L is equivalent to ppm

2/22/12

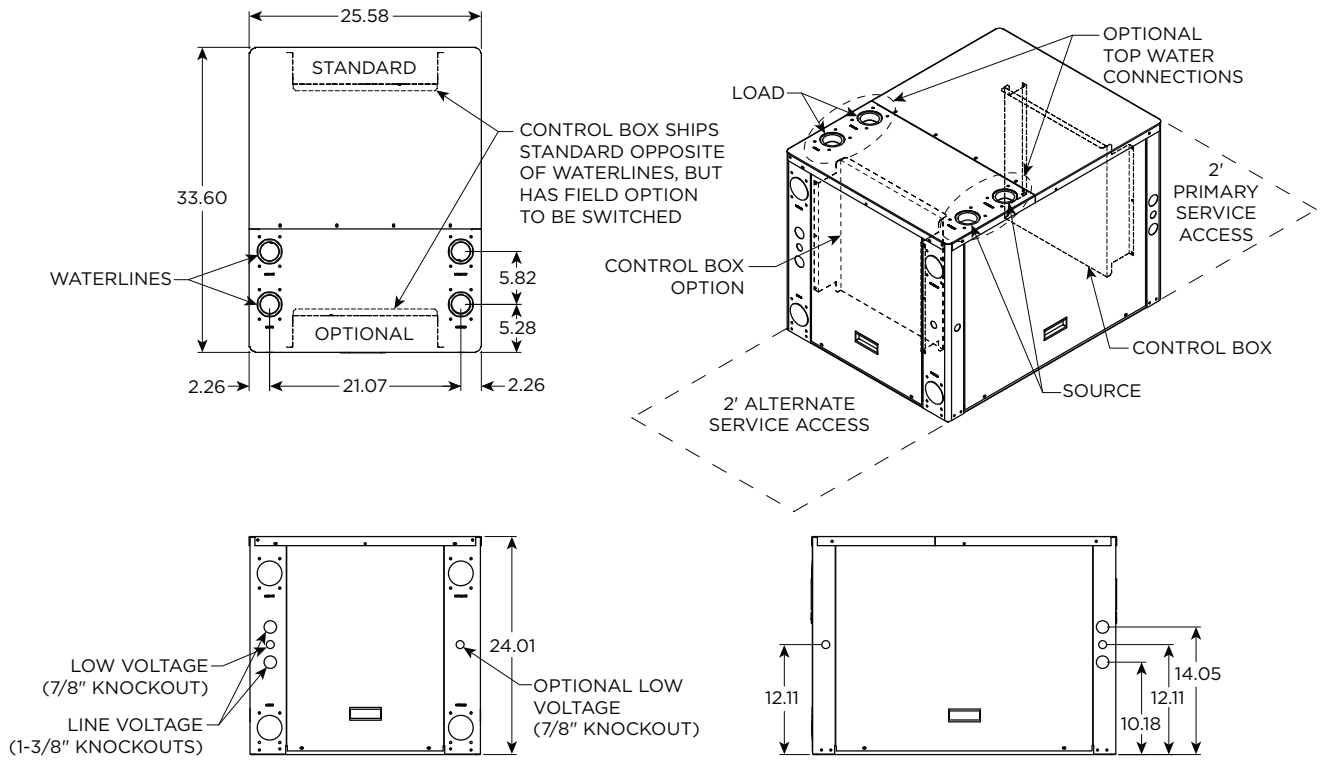
# Typical Application Piping



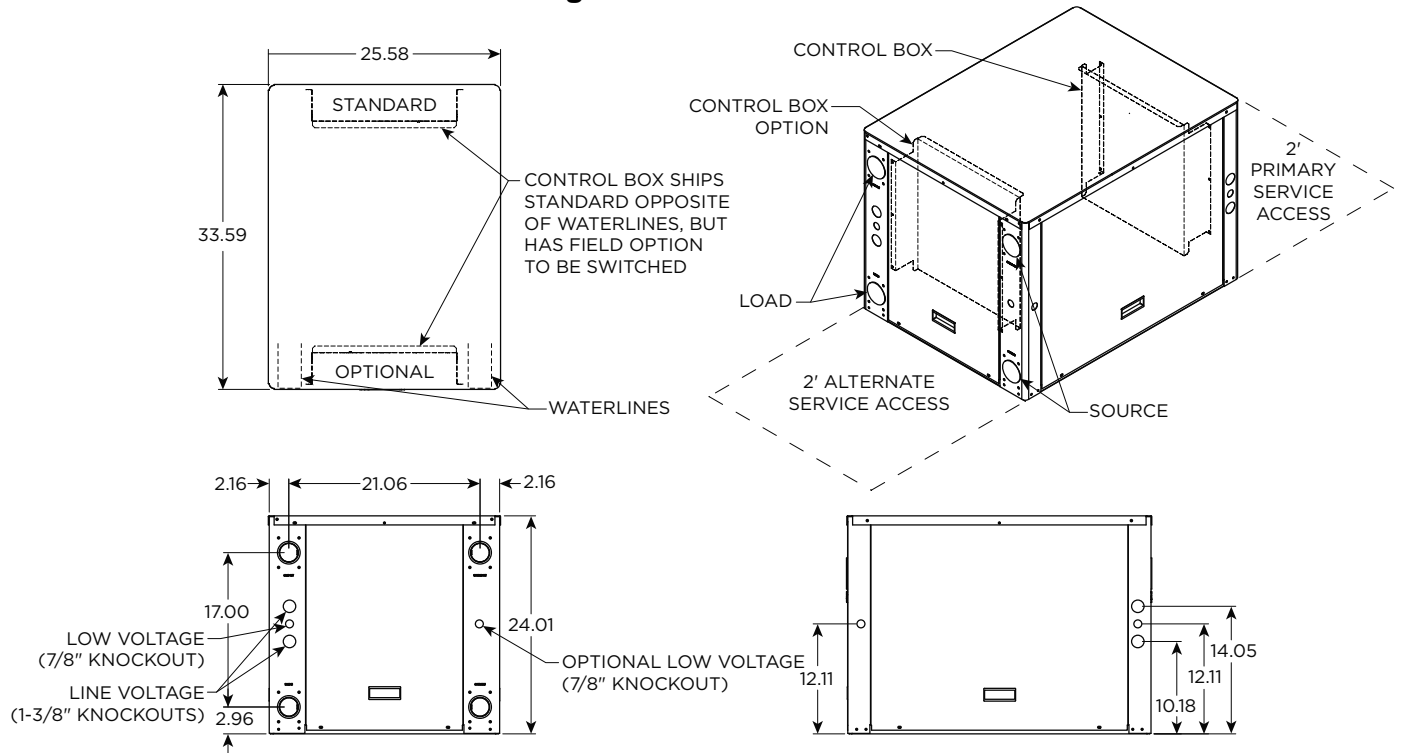


## Dimensional Data

### YHTW100-180 - Top Waterline Configuration



### YHTW100-180 - Back Waterline Configuration



## Physical Data

| Model                         | Model        |              |              |              |
|-------------------------------|--------------|--------------|--------------|--------------|
|                               | 100          | 120          | 150          | 180          |
| Compressor (2 each)           | Scroll       |              |              |              |
| Factory Charge R410A, oz [kg] | 62<br>[1.76] | 62<br>[1.76] | 62<br>[1.76] | 62<br>[1.76] |
| Load Water Connection         |              |              |              |              |
| FPT - in                      | 2            | 2            | 2            | 2            |
| Source Water Connection       |              |              |              |              |
| FPT - in                      | 2            | 2            | 2            | 2            |
| Weight - Operating, lb [kg]   | 390<br>[177] | 400<br>[181] | 400<br>[181] | 420<br>[190] |
| Weight - Packaged, lb [kg]    | 385<br>[175] | 395<br>[179] | 395<br>[179] | 415<br>[188] |

3/9/09

## Electrical Data

| Model | Supply Circuit | Rated Voltage | Voltage Min/Max | Compressor* |      |       |       | Load Pump FLA | Source Pump FLA | Total Unit FLA | Min Circ Amp | Max Fuse/HACR |
|-------|----------------|---------------|-----------------|-------------|------|-------|-------|---------------|-----------------|----------------|--------------|---------------|
|       |                |               |                 | MCC         | RLA  | LRA   | LRA** |               |                 |                |              |               |
| 100   | L1/L2          | 208-230/60/1  | 187/253         | 41.2        | 26.4 | 134.0 | 47.0  | -             | -               | 26.4           | 33.0         | 50            |
|       | L3/L4          | 208-230/60/1  | 187/253         | 41.2        | 26.4 | 134.0 | 47.0  | 4.2           | 4.2             | 34.8           | 41.4         | 60            |
|       | Single         | 208-230/60/3  | 187/253         | 24.9        | 16.0 | 110.0 | 66.0  | -             | -               | 32.0           | 36.0         | 50            |
|       | Single         | 460/60/3      | 414/506         | 12.1        | 7.8  | 52.0  | 31.0  | -             | -               | 15.6           | 17.6         | 25            |
|       | Single         | 575/60/3      | 517/633         | 8.9         | 5.7  | 38.9  | -     | -             | -               | 11.4           | 12.8         | 15            |
| 120   | L1/L2          | 208-230/60/1  | 187/253         | 47.0        | 30.1 | 145.0 | 51.0  | -             | -               | 30.1           | 37.6         | 60            |
|       | L3/L4          | 208-230/60/1  | 187/253         | 47.0        | 30.1 | 145.0 | 51.0  | 4.2           | 4.2             | 38.5           | 46.0         | 70            |
|       | Single         | 208-230/60/3  | 187/253         | 28.0        | 17.3 | 120.0 | 72.0  | -             | -               | 34.6           | 38.9         | 50            |
|       | Single         | 460/60/3      | 414/506         | 15.0        | 9.6  | 70.0  | 42.0  | -             | -               | 19.2           | 21.6         | 30            |
|       | Single         | 575/60/3      | 517/633         | 12.5        | 8.0  | 53.0  | -     | -             | -               | 16.0           | 18.0         | 25            |
| 150   | L1/L2          | 208-230/60/1  | 187/253         | 42.0        | 26.9 | 145.0 | 51.0  | -             | -               | 26.9           | 33.6         | 60            |
|       | L3/L4          | 208-230/60/1  | 187/253         | 42.0        | 26.9 | 145.0 | 51.0  | 4.2           | 4.2             | 35.3           | 42.0         | 60            |
|       | Single         | 208-230/60/3  | 187/253         | 35.0        | 22.4 | 190.0 | 114.0 | -             | -               | 44.8           | 50.4         | 70            |
|       | Single         | 460/60/3      | 414/506         | 19.0        | 12.2 | 87.0  | 52.0  | -             | -               | 24.4           | 27.5         | 30            |
|       | Single         | 575/60/3      | 517/633         | 15.0        | 9.6  | 62.0  | -     | -             | -               | 19.2           | 21.6         | 30            |
| 180   | L1/L2          | 208-230/60/1  | 187/253         | 50.0        | 32.1 | 185.0 | 65.0  | -             | -               | 32.1           | 40.1         | 70            |
|       | L3/L4          | 208-230/60/1  | 187/253         | 50.0        | 32.1 | 185.0 | 65.0  | 4.2           | 4.2             | 40.5           | 48.5         | 80            |
|       | Single         | 208-230/60/3  | 187/253         | 39.0        | 26.0 | 190.0 | 114.0 | -             | -               | 52.0           | 58.5         | 80            |
|       | Single         | 460/60/3      | 414/506         | 19.0        | 13.0 | 100.0 | 60.0  | -             | -               | 26.0           | 29.3         | 40            |
|       | Single         | 575/60/3      | 517/633         | 14.5        | 9.3  | 72.0  | -     | -             | -               | 18.6           | 20.9         | 30            |

HACR circuit breaker in USA only

\* Ratings per each compressor - unit supplied with two

\*\* With optional IntelliStart

3/7/13

## Antifreeze Correction

Catalog performance can be corrected for antifreeze use. Please use the following table and note the example given.

| Antifreeze Type  | Antifreeze %<br>by wt | Heating   |           | Cooling   |           | Pressure<br>Drop |
|------------------|-----------------------|-----------|-----------|-----------|-----------|------------------|
|                  |                       | Load      | Source    | Load      | Source    |                  |
| EWT - °F [°C]    |                       | 80 [26.7] | 30 [-1.1] | 50 [10.0] | 90 [32.2] | 30 [-1.1]        |
| Water            | 0                     | 1.000     | 1.000     | 1.000     | 1.000     | 1.000            |
| Ethylene Glycol  | 10                    | 0.990     | 0.973     | 0.976     | 0.991     | 1.075            |
|                  | 20                    | 0.978     | 0.943     | 0.947     | 0.979     | 1.163            |
|                  | 30                    | 0.964     | 0.917     | 0.921     | 0.965     | 1.225            |
|                  | 40                    | 0.953     | 0.890     | 0.897     | 0.955     | 1.324            |
|                  | 50                    | 0.942     | 0.865     | 0.872     | 0.943     | 1.419            |
| Propylene Glycol | 10                    | 0.981     | 0.958     | 0.959     | 0.981     | 1.130            |
|                  | 20                    | 0.967     | 0.913     | 0.921     | 0.969     | 1.270            |
|                  | 30                    | 0.946     | 0.854     | 0.869     | 0.950     | 1.433            |
|                  | 40                    | 0.932     | 0.813     | 0.834     | 0.937     | 1.614            |
|                  | 50                    | 0.915     | 0.770     | 0.796     | 0.922     | 1.816            |
| Ethanol          | 10                    | 0.986     | 0.927     | 0.945     | 0.991     | 1.242            |
|                  | 20                    | 0.967     | 0.887     | 0.906     | 0.972     | 1.343            |
|                  | 30                    | 0.944     | 0.856     | 0.869     | 0.947     | 1.383            |
|                  | 40                    | 0.926     | 0.815     | 0.830     | 0.930     | 1.523            |
|                  | 50                    | 0.907     | 0.779     | 0.795     | 0.911     | 1.639            |
| Methanol         | 10                    | 0.985     | 0.957     | 0.962     | 0.986     | 1.127            |
|                  | 20                    | 0.969     | 0.924     | 0.929     | 0.970     | 1.197            |
|                  | 30                    | 0.950     | 0.895     | 0.897     | 0.951     | 1.235            |
|                  | 40                    | 0.935     | 0.863     | 0.866     | 0.936     | 1.323            |
|                  | 50                    | 0.919     | 0.833     | 0.836     | 0.920     | 1.399            |



**WARNING:** Gray area represents antifreeze concentrations greater than 35% by weight and should be avoided due to the extreme performance penalty they represent.

### Antifreeze Correction Example

Antifreeze solution is propylene glycol 20% by weight for the source and methanol 10% for the load. Determine the corrected heating at 30°F source and 80°F load as well as pressure drop at 30°F for an Model 120. Also, determine the corrected cooling at 90°F source and 50°F load.

The corrected heating capacity at 30°F/80°F would be:

$$98,500 \text{ MBTUH} \times 0.913 \times 0.985 = 88,582 \text{ MBTUH}$$

The corrected cooling capacity at 90°F/50°F would be:

$$113,200 \times 0.969 \times 0.962 = 105,523 \text{ MBTUH}$$

The corrected pressure drop at 30°F and 36 GPM would be:

$$4.9 \text{ psi} \times 1.270 = 6.22 \text{ psi}$$

## Load and Source Pressure Drop

| Model | GPM | Pressure Drop (psi) |      |      |      |       |
|-------|-----|---------------------|------|------|------|-------|
|       |     | 30°F                | 50°F | 70°F | 90°F | 110°F |
| 100   | 15  | 1.0                 | 0.8  | 0.5  | 0.3  | 0.1   |
|       | 23  | 2.5                 | 2.2  | 2.0  | 1.7  | 1.3   |
|       | 30  | 3.8                 | 3.6  | 3.3  | 3.1  | 2.4   |
|       | 34  | 4.5                 | 4.3  | 4.0  | 3.8  | 3.0   |
| 120   | 18  | 1.6                 | 1.3  | 1.1  | 0.8  | 0.6   |
|       | 28  | 3.4                 | 3.2  | 2.9  | 2.7  | 2.1   |
|       | 36  | 4.9                 | 4.7  | 4.4  | 4.2  | 3.3   |
|       | 40  | 5.6                 | 5.4  | 5.1  | 4.9  | 3.9   |
| 150   | 21  | 2.1                 | 1.9  | 1.6  | 1.4  | 1.0   |
|       | 32  | 4.2                 | 3.9  | 3.7  | 3.4  | 2.7   |
|       | 42  | 6.0                 | 5.8  | 5.5  | 5.3  | 4.2   |
|       | 50  | 7.5                 | 7.3  | 7.0  | 6.8  | 5.5   |
| 180   | 24  | 2.7                 | 2.4  | 2.2  | 1.9  | 1.5   |
|       | 36  | 4.9                 | 4.7  | 4.4  | 4.2  | 3.3   |
|       | 48  | 7.1                 | 6.9  | 6.6  | 6.4  | 5.1   |
|       | 60  | 9.3                 | 9.1  | 8.8  | 8.6  | 7.0   |

3/9/09

## Reference Calculations

|  |  |
|--|--|
| Heating Calculations:<br>$\text{LWT} = \text{EWT} - \frac{\text{HE}}{\text{GPM} \times 500^*}$ | Cooling Calculations:<br>$\text{LWT} = \text{EWT} + \frac{\text{HR}}{\text{GPM} \times 500^*}$ |
|--|--|

**NOTE:** \* When using water. Use 485 for 15% methanol/water or Environol solution.

## Legend and Notes

### Abbreviations and Definitions

|   |  |
|---|--|
| ELT = entering load fluid temperature to heat pump    | PSI = pressure drop in pounds per square inch    |
| LLT = leaving load fluid temperature from heat pump   | FT HD = pressure drop in feet of head            |
| LGPM = load flow in gallons per minute                | KW = kilowatt                                    |
| LWPD = load heat exchanger water pressure drop        | HR = heat rejected in MBTUH                      |
| EST = entering source fluid temperature to heat pump  | TC = total cooling capacity in MBTUH             |
| LST = leaving source fluid temperature from heat pump | COP = coefficient of performance (HC/KW x 3.413) |
| SGPM = source flow in gallons per minute              | HC = heating capacity in MBTUH                   |
| SWPD = source heat exchanger water pressure drop      | HE = heat of extraction in MBTUH                 |
| EER = cooling energy efficiency (TC/KW)               |  |

### Notes to Performance Data Tables

The following notes apply to all performance data tables:

- Three flow rates are shown for each unit. The lowest flow rate shown is used for geothermal open loop/well water systems with a minimum of 50°F EST. The middle flow rate shown is the minimum geothermal closed loop flow rate. The highest flow rate shown is optimum for geothermal closed loop systems and the suggested flow rate for boiler/tower applications.
- Entering water temperatures below 40°F assumes 15% antifreeze solution.
- Interpolation between ELT, EST, and GPM data is permissible.
- Operation in the gray areas is not recommended.

# YHTW100 - Performance Data

## Cooling Capacity

| Source |          | Load Flow - 15 GPM |                           |          |          |          |      |        | Load Flow - 23 GPM |          |          |          |      |        |        | Load Flow - 30 GPM |          |          |      |        |  |  |
|--------|----------|--------------------|---------------------------|----------|----------|----------|------|--------|--------------------|----------|----------|----------|------|--------|--------|--------------------|----------|----------|------|--------|--|--|
| EST °F | Flow GPM | ELT °F             | LLT °F                    | TC MBTUH | Power kW | HR MBTUH | EER  | LST °F | LLT °F             | TC MBTUH | Power kW | HR MBTUH | EER  | LST °F | LLT °F | TC MBTUH           | Power kW | HR MBTUH | EER  | LST °F |  |  |
| 30     | 15       | 50                 | 35.6                      | 108.0    | 3.80     | 121.0    | 28.4 | 46.1   | 40.3               | 111.7    | 3.91     | 125.1    | 28.6 | 46.7   | 42.3   | 115.0              | 4.00     | 128.6    | 28.8 | 47.2   |  |  |
|        |          | 70                 | 54.3                      | 117.9    | 3.90     | 131.2    | 30.2 | 47.5   | 59.4               | 121.7    | 3.99     | 135.3    | 30.5 | 48.0   | 61.7   | 125.0              | 4.07     | 138.9    | 30.7 | 48.5   |  |  |
|        |          | 90                 | 73.0                      | 127.9    | 4.00     | 141.5    | 32.0 | 48.9   | 78.6               | 131.7    | 4.07     | 145.6    | 32.3 | 49.4   | 81.0   | 135.0              | 4.13     | 149.1    | 32.7 | 49.9   |  |  |
|        |          | 110                | 91.6                      | 137.8    | 4.10     | 151.8    | 33.6 | 50.2   | 97.7               | 141.6    | 4.15     | 155.8    | 34.1 | 50.8   | 100.3  | 145.0              | 4.20     | 159.3    | 34.5 | 51.2   |  |  |
|        | 23       | 50                 | 35.3                      | 110.1    | 3.69     | 122.7    | 29.8 | 40.7   | 40.1               | 113.8    | 3.80     | 126.7    | 29.9 | 41.0   | 42.2   | 116.9              | 3.89     | 130.2    | 30.0 | 41.3   |  |  |
|        |          | 70                 | 54.0                      | 120.3    | 3.76     | 133.1    | 32.0 | 41.6   | 59.2               | 124.1    | 3.86     | 137.3    | 32.2 | 41.9   | 61.5   | 127.5              | 3.94     | 141.0    | 32.3 | 42.3   |  |  |
|        |          | 90                 | 72.6                      | 130.4    | 3.83     | 143.5    | 34.1 | 42.5   | 78.3               | 134.5    | 3.92     | 147.9    | 34.4 | 42.9   | 80.8   | 138.1              | 3.99     | 151.7    | 34.6 | 43.2   |  |  |
|        |          | 110                | 91.3                      | 140.6    | 3.90     | 153.9    | 36.1 | 43.4   | 97.4               | 144.9    | 3.97     | 158.5    | 36.5 | 43.8   | 100.1  | 148.7              | 4.04     | 162.5    | 36.8 | 44.1   |  |  |
|        | 30       | 50                 | 35.1                      | 112.0    | 3.60     | 124.3    | 31.1 | 38.3   | 40.0               | 115.5    | 3.71     | 128.2    | 31.2 | 38.5   | 42.1   | 118.6              | 3.80     | 131.6    | 31.2 | 38.8   |  |  |
|        |          | 70                 | 53.7                      | 122.3    | 3.64     | 134.8    | 33.6 | 39.0   | 59.0               | 126.3    | 3.74     | 139.1    | 33.7 | 39.3   | 61.4   | 129.7              | 3.83     | 142.8    | 33.8 | 39.5   |  |  |
|        |          | 90                 | 72.3                      | 132.7    | 3.68     | 145.2    | 36.1 | 39.7   | 78.1               | 137.0    | 3.78     | 149.9    | 36.3 | 40.0   | 80.6   | 140.9              | 3.87     | 154.1    | 36.4 | 40.3   |  |  |
|        |          | 110                | 90.9                      | 143.0    | 3.72     | 155.7    | 38.4 | 40.4   | 97.1               | 147.8    | 3.82     | 160.8    | 38.7 | 40.7   | 99.9   | 152.0              | 3.90     | 165.3    | 39.0 | 41.0   |  |  |
| 50     | 15       | 50                 | 36.6                      | 100.3    | 5.23     | 118.1    | 19.2 | 65.7   | 41.0               | 103.7    | 5.33     | 121.9    | 19.5 | 66.2   | 42.9   | 106.7              | 5.41     | 125.2    | 19.7 | 66.7   |  |  |
|        |          | 70                 | 55.1                      | 111.5    | 5.37     | 129.8    | 20.8 | 67.3   | 60.0               | 115.0    | 5.45     | 133.6    | 21.1 | 67.8   | 62.1   | 118.1              | 5.52     | 137.0    | 21.4 | 68.3   |  |  |
|        |          | 90                 | 73.6                      | 122.7    | 5.51     | 141.4    | 22.3 | 68.9   | 79.0               | 126.3    | 5.57     | 145.3    | 22.7 | 69.4   | 81.4   | 129.6              | 5.63     | 148.8    | 23.0 | 69.8   |  |  |
|        |          | 110                | 92.2                      | 133.9    | 5.65     | 153.1    | 23.7 | 70.4   | 98.0               | 137.7    | 5.69     | 157.1    | 24.2 | 70.9   | 100.6  | 141.0              | 5.73     | 160.6    | 24.6 | 71.4   |  |  |
|        | 23       | 50                 | 36.4                      | 102.1    | 5.09     | 119.4    | 20.0 | 60.4   | 40.8               | 105.4    | 5.18     | 123.1    | 20.3 | 60.7   | 42.8   | 108.4              | 5.26     | 126.3    | 20.6 | 61.0   |  |  |
|        |          | 70                 | 54.9                      | 113.5    | 5.19     | 131.2    | 21.9 | 61.4   | 59.8               | 117.2    | 5.27     | 135.1    | 22.2 | 61.7   | 62.0   | 120.4              | 5.34     | 138.6    | 22.6 | 62.0   |  |  |
|        |          | 90                 | 73.3                      | 124.9    | 5.28     | 142.9    | 23.6 | 62.4   | 78.8               | 128.9    | 5.35     | 147.1    | 24.1 | 62.8   | 81.2   | 132.3              | 5.41     | 150.8    | 24.5 | 63.1   |  |  |
|        |          | 110                | 91.8                      | 136.3    | 5.38     | 154.7    | 25.3 | 63.5   | 97.8               | 140.6    | 5.44     | 159.1    | 25.9 | 63.8   | 100.4  | 144.3              | 5.49     | 163.1    | 26.3 | 64.2   |  |  |
|        | 30       | 50                 | 36.2                      | 103.6    | 4.98     | 120.6    | 20.8 | 58.0   | 40.7               | 106.9    | 5.06     | 124.2    | 21.2 | 58.3   | 42.7   | 109.9              | 5.13     | 127.3    | 21.4 | 58.5   |  |  |
|        |          | 70                 | 54.6                      | 115.3    | 5.03     | 132.4    | 22.9 | 58.8   | 59.7               | 119.0    | 5.11     | 136.4    | 23.3 | 59.1   | 61.8   | 122.3              | 5.18     | 140.0    | 23.6 | 59.3   |  |  |
|        |          | 90                 | 73.1                      | 126.9    | 5.09     | 144.2    | 25.0 | 59.6   | 78.6               | 131.1    | 5.16     | 148.7    | 25.4 | 59.9   | 81.0   | 134.8              | 5.23     | 152.6    | 25.8 | 60.2   |  |  |
|        |          | 110                | 91.5                      | 138.5    | 5.14     | 156.0    | 26.9 | 60.4   | 97.6               | 143.2    | 5.21     | 161.0    | 27.5 | 60.7   | 100.2  | 147.3              | 5.28     | 165.2    | 27.9 | 61.0   |  |  |
| 70     | 15       | 50                 | 37.7                      | 92.5     | 6.65     | 115.2    | 13.9 | 85.4   | 41.7               | 95.6     | 6.74     | 118.7    | 14.2 | 85.8   | 43.4   | 98.4               | 6.83     | 121.7    | 14.4 | 86.2   |  |  |
|        |          | 70                 | 56.0                      | 105.0    | 6.83     | 128.3    | 15.4 | 87.1   | 60.6               | 108.3    | 6.91     | 131.9    | 15.7 | 87.6   | 62.6   | 111.3              | 6.97     | 135.1    | 16.0 | 88.0   |  |  |
|        |          | 90                 | 74.3                      | 117.4    | 7.02     | 141.4    | 16.7 | 88.8   | 79.5               | 121.0    | 7.07     | 145.1    | 17.1 | 89.4   | 81.7   | 124.1              | 7.12     | 148.4    | 17.4 | 89.8   |  |  |
|        |          | 110                | Operation not recommended |          |          |          |      |        |                    |          |          |          |      |        |        |                    |          |          |      |        |  |  |
|        | 23       | 50                 | 37.5                      | 94.0     | 6.49     | 116.1    | 14.5 | 80.1   | 41.6               | 97.1     | 6.56     | 119.5    | 14.8 | 80.4   | 43.3   | 99.8               | 6.63     | 122.4    | 15.1 | 80.6   |  |  |
|        |          | 70                 | 55.8                      | 106.7    | 6.61     | 129.2    | 16.1 | 81.2   | 60.4               | 110.2    | 6.67     | 132.9    | 16.5 | 81.6   | 62.5   | 113.2              | 6.73     | 136.2    | 16.8 | 81.8   |  |  |
|        |          | 90                 | 74.1                      | 119.4    | 6.74     | 142.4    | 17.7 | 82.4   | 79.3               | 123.2    | 6.79     | 146.4    | 18.2 | 82.7   | 81.6   | 126.6              | 6.83     | 149.9    | 18.5 | 83.0   |  |  |
|        |          | 110                | Operation not recommended |          |          |          |      |        |                    |          |          |          |      |        |        |                    |          |          |      |        |  |  |
|        | 30       | 50                 | 37.3                      | 95.3     | 6.35     | 116.9    | 15.0 | 77.8   | 41.4               | 98.4     | 6.40     | 120.2    | 15.4 | 78.0   | 43.3   | 101.1              | 6.45     | 123.1    | 15.7 | 78.2   |  |  |
|        |          | 70                 | 55.6                      | 108.2    | 6.42     | 130.1    | 16.8 | 78.7   | 60.3               | 111.8    | 6.47     | 133.8    | 17.3 | 78.9   | 62.3   | 114.9              | 6.52     | 137.1    | 17.6 | 79.1   |  |  |
|        |          | 90                 | 73.9                      | 121.1    | 6.49     | 143.2    | 18.7 | 79.5   | 79.1               | 125.1    | 6.54     | 147.5    | 19.1 | 79.8   | 81.4   | 128.7              | 6.58     | 151.2    | 19.5 | 80.1   |  |  |
|        |          | 110                | Operation not recommended |          |          |          |      |        |                    |          |          |          |      |        |        |                    |          |          |      |        |  |  |
| 90     | 15       | 50                 | 38.7                      | 84.8     | 8.08     | 112.3    | 10.5 | 105.0  | 42.4               | 87.6     | 8.16     | 115.5    | 10.7 | 105.4  | 44.0   | 90.1               | 8.24     | 118.2    | 10.9 | 105.8  |  |  |
|        |          | 70                 | 56.9                      | 98.5     | 8.30     | 126.8    | 11.9 | 106.9  | 61.2               | 101.6    | 8.37     | 130.2    | 12.1 | 107.4  | 63.0   | 104.4              | 8.42     | 133.1    | 12.4 | 107.8  |  |  |
|        |          | 90                 | 75.0                      | 112.2    | 8.53     | 141.3    | 13.2 | 108.8  | 79.9               | 115.7    | 8.57     | 144.9    | 13.5 | 109.3  | 82.1   | 118.7              | 8.61     | 148.1    | 13.8 | 109.7  |  |  |
|        |          | 110                | Operation not recommended |          |          |          |      |        |                    |          |          |          |      |        |        |                    |          |          |      |        |  |  |
|        | 23       | 50                 | 38.5                      | 85.9     | 7.89     | 112.8    | 10.9 | 99.8   | 42.3               | 88.8     | 7.94     | 115.9    | 11.2 | 100.1  | 43.9   | 91.3               | 7.99     | 118.6    | 11.4 | 100.3  |  |  |
|        |          | 70                 | 56.7                      | 99.9     | 8.04     | 127.3    | 12.4 | 101.1  | 61.0               | 103.2    | 8.08     | 130.7    | 12.8 | 101.4  | 62.9   | 106.0              | 8.12     | 133.8    | 13.1 | 101.6  |  |  |
|        |          | 90                 | 74.8                      | 113.9    | 8.19     | 141.8    | 13.9 | 102.3  | 79.8               | 117.6    | 8.22     | 145.6    | 14.3 | 102.7  | 81.9   | 120.8              | 8.25     | 149.0    | 14.6 | 103.0  |  |  |
|        |          | 110                | Operation not recommended |          |          |          |      |        |                    |          |          |          |      |        |        |                    |          |          |      |        |  |  |
|        | 30       | 50                 | 38.4                      | 86.9     | 7.73     | 113.2    | 11.2 | 97.5   | 42.2               | 89.8     | 7.75     | 116.2    | 11.6 | 97.7   | 43.8   | 92.4               | 7.78     | 118.9    | 11.9 | 97.9   |  |  |
|        |          | 70                 | 56.5                      | 101.1    | 7.81     | 127.7    | 12.9 | 98.5   | 60.9               | 104.5    | 7.84     | 131.2    | 13.3 | 98.7   | 62.8   | 107.5              | 7.86     | 134.3    | 13.7 | 99.0   |  |  |
|        |          | 90                 | 74.6                      | 115.3    | 7.90     | 142.2    | 14.6 | 99.5   | 79.6               | 119.2    | 7.92     | 146.2    | 15.1 | 99.7   | 81.8   | 122.6              | 7.94     | 149.7    | 15.4 | 100.0  |  |  |
|        |          | 110                | Operation not recommended |          |          |          |      |        |                    |          |          |          |      |        |        |                    |          |          |      |        |  |  |
| 110    | 15       | 50                 | 39.7                      | 77.0     | 9.50     | 109.4    | 8.1  | 124.6  | 43.1               | 79.6     | 9.58     | 112.2    | 8.3  | 125.0  | 44.5   | 81.8               | 9.65     | 114.7    | 8.5  | 125.3  |  |  |
|        |          | 70                 | 57.7                      | 92.0     | 9.77     | 125.3    | 9.4  | 126.7  | 61.7               | 95.0     | 9.83     | 128.5    | 9.7  | 127.1  | 63.5   | 97.5               | 9.88     | 131.2    | 9.9  | 127.5  |  |  |
|        |          | 90                 | Operation not recommended |          |          |          |      |        |                    |          |          |          |      |        |        |                    |          |          |      |        |  |  |
|        |          | 110                | Operation not recommended |          |          |          |      |        |                    |          |          |          |      |        |        |                    |          |          |      |        |  |  |
|        | 23       | 50                 | 39.6                      | 77.8     | 9.29     | 109.5    | 8.4  | 119.5  | 43.0               | 80.4     | 9.32     | 112.3    | 8.6  | 119.8  | 44.5   | 82.8               | 9.36     | 114.7    | 8.8  | 120.0  |  |  |
|        |          | 70                 | 57.6                      | 93.1     | 9.46     | 125.4    | 9.8  | 120.9  | 61.6               | 96.2     | 9.49     | 128.6    | 10.1 | 121.2  | 63.4   | 98.9               | 9.52     | 131.4    | 10.4 | 121.4  |  |  |
|        |          | 90                 | Operation not recommended |          |          |          |      |        |                    |          |          |          |      |        |        |                    |          |          |      |        |  |  |
|        |          | 110                | Operation not recommended |          |          |          |      |        |                    |          |          |          |      |        |        |                    |          |          |      |        |  |  |
|        | 30       | 50                 | 39.5                      | 78.5     | 9.10     | 109.5    | 8.6  | 117.3  | 42.9               | 81.2     | 9.10     | 112.3    | 8.9  | 117.5  | 44.4   | 83.6               | 9.10     | 114.6    | 9.2  | 117.6  |  |  |
|        |          | 70                 | 57.5                      | 94.0     | 9.20     | 125.4    | 10.2 | 118.4  | 61.5               | 97.2     | 9.20     | 128.6    | 10.6 | 118.6  | 63.3   | 100.1              | 9.20     | 131.5    | 10.9 | 118.8  |  |  |
|        |          | 90                 | Operation not recommended |          |          |          |      |        |                    |          |          |          |      |        |        |                    |          |          |      |        |  |  |
|        |          | 110                | Operation not recommended |          |          |          |      |        |                    |          |          |          |      |        |        |                    |          |          |      |        |  |  |

NOTE: For part load application, divide capacity by 2.

# YHTW100 - Performance Data

## Heating Capacity

| Source |          | Load Flow - 15 GPM |                           |          |          |          |     |        | Load Flow - 23 GPM |          |          |          |     |        |        | Load Flow - 30 GPM |          |          |     |        |  |  |
|--------|----------|--------------------|---------------------------|----------|----------|----------|-----|--------|--------------------|----------|----------|----------|-----|--------|--------|--------------------|----------|----------|-----|--------|--|--|
| EWT °F | Flow GPM | ELT °F             | LLT °F                    | HC MBTUH | Power kW | HE MBTUH | COP | LST °F | LLT °F             | HC MBTUH | Power kW | HE MBTUH | COP | LST °F | LLT °F | HC MBTUH           | Power kW | HE MBTUH | COP | LST °F |  |  |
| 30     | 23       | 60                 | 72.2                      | 91.3     | 5.01     | 74.2     | 5.3 | 20.1   | 68.2               | 94.5     | 4.85     | 78.0     | 5.7 | 23.2   | 66.5   | 97.3               | 4.71     | 81.2     | 6.1 | 24.6   |  |  |
|        |          | 80                 | 91.9                      | 89.2     | 6.64     | 66.6     | 3.9 | 21.1   | 88.0               | 92.1     | 6.46     | 70.1     | 4.2 | 23.9   | 86.3   | 94.7               | 6.31     | 73.2     | 4.4 | 25.1   |  |  |
|        |          | 100                | 111.6                     | 87.2     | 8.28     | 58.9     | 3.1 | 22.1   | 107.8              | 89.8     | 8.08     | 62.2     | 3.3 | 24.6   | 106.1  | 92.1               | 7.91     | 65.1     | 3.4 | 25.7   |  |  |
|        |          | 120                | 131.3                     | 85.1     | 9.91     | 51.3     | 2.5 | 23.2   | 127.6              | 87.4     | 9.70     | 54.3     | 2.6 | 25.3   | 126.0  | 89.5               | 9.51     | 57.0     | 2.8 | 26.2   |  |  |
|        | 30       | 60                 | 72.3                      | 92.0     | 5.10     | 74.6     | 5.3 | 20.1   | 68.4               | 96.3     | 4.94     | 79.4     | 5.7 | 23.1   | 66.7   | 100.0              | 4.80     | 83.6     | 6.1 | 24.4   |  |  |
|        |          | 80                 | 92.0                      | 89.9     | 6.77     | 66.8     | 3.9 | 21.1   | 88.2               | 93.9     | 6.59     | 71.4     | 4.2 | 23.8   | 86.5   | 97.4               | 6.43     | 75.4     | 4.4 | 25.0   |  |  |
|        |          | 100                | 111.7                     | 87.9     | 8.43     | 59.1     | 3.1 | 22.1   | 108.0              | 91.6     | 8.24     | 63.5     | 3.3 | 24.5   | 106.3  | 94.8               | 8.07     | 67.3     | 3.4 | 25.5   |  |  |
|        |          | 120                | 131.4                     | 85.8     | 10.10    | 51.3     | 2.5 | 23.2   | 127.8              | 89.2     | 9.89     | 55.5     | 2.6 | 25.2   | 126.1  | 92.2               | 9.70     | 59.1     | 2.8 | 26.1   |  |  |
| 50     | 15       | 60                 | 73.6                      | 102.2    | 5.00     | 85.1     | 6.0 | 38.7   | 69.2               | 105.4    | 4.84     | 88.9     | 6.4 | 42.3   | 67.2   | 108.3              | 4.70     | 92.3     | 6.8 | 43.8   |  |  |
|        |          | 80                 | 93.3                      | 100.1    | 6.62     | 77.5     | 4.4 | 39.7   | 89.0               | 103.1    | 6.44     | 81.1     | 4.7 | 42.9   | 87.0   | 105.7              | 6.29     | 84.2     | 4.9 | 44.4   |  |  |
|        |          | 100                | 113.1                     | 98.1     | 8.20     | 69.9     | 3.5 | 37.4   | 108.8              | 100.7    | 8.00     | 73.3     | 3.7 | 43.6   | 106.9  | 103.1              | 7.88     | 76.2     | 3.8 | 44.9   |  |  |
|        |          | 120                | 132.8                     | 96.0     | 9.87     | 62.3     | 2.9 | 41.7   | 128.6              | 98.4     | 9.65     | 65.5     | 3.0 | 44.3   | 126.7  | 100.5              | 9.47     | 68.2     | 3.1 | 45.5   |  |  |
|        | 23       | 60                 | 74.4                      | 107.7    | 5.12     | 90.2     | 6.2 | 38.0   | 69.7               | 111.9    | 4.95     | 95.0     | 6.6 | 41.7   | 67.7   | 115.5              | 4.81     | 99.1     | 7.0 | 43.4   |  |  |
|        |          | 80                 | 94.1                      | 105.6    | 6.78     | 82.5     | 4.6 | 39.0   | 89.5               | 109.5    | 6.59     | 87.0     | 4.9 | 42.4   | 87.5   | 112.9              | 6.43     | 91.0     | 5.1 | 43.9   |  |  |
|        |          | 100                | 113.8                     | 103.5    | 8.44     | 74.7     | 3.6 | 40.0   | 109.3              | 107.2    | 8.23     | 79.1     | 3.8 | 43.1   | 107.4  | 110.3              | 8.06     | 82.9     | 4.0 | 44.5   |  |  |
|        |          | 120                | 133.5                     | 101.5    | 10.10    | 67.0     | 2.9 | 41.1   | 129.1              | 104.8    | 9.87     | 71.1     | 3.1 | 43.8   | 127.2  | 107.7              | 9.68     | 74.7     | 3.3 | 45.0   |  |  |
|        | 30       | 60                 | 75.0                      | 112.4    | 5.23     | 94.6     | 6.3 | 37.4   | 70.2               | 117.5    | 5.06     | 100.2    | 6.8 | 41.3   | 68.1   | 121.9              | 4.90     | 105.1    | 7.3 | 43.0   |  |  |
|        |          | 80                 | 94.7                      | 110.4    | 6.92     | 86.8     | 4.7 | 38.4   | 90.0               | 115.1    | 6.73     | 92.2     | 5.0 | 42.0   | 88.0   | 119.3              | 6.56     | 96.9     | 5.3 | 43.5   |  |  |
|        |          | 100                | 114.4                     | 108.3    | 8.61     | 78.9     | 3.7 | 39.5   | 109.8              | 112.8    | 8.40     | 84.1     | 3.9 | 42.7   | 107.8  | 116.7              | 8.21     | 88.7     | 4.2 | 44.1   |  |  |
|        |          | 120                | 134.2                     | 106.3    | 10.30    | 71.1     | 3.0 | 40.5   | 129.6              | 110.4    | 10.07    | 76.1     | 3.2 | 43.4   | 127.6  | 114.1              | 9.87     | 80.4     | 3.4 | 44.6   |  |  |
| 70     | 15       | 60                 | 75.2                      | 113.9    | 5.10     | 96.5     | 6.5 | 57.1   | 70.3               | 118.4    | 4.94     | 101.6    | 7.0 | 61.2   | 68.2   | 122.4              | 4.80     | 106.0    | 7.5 | 62.9   |  |  |
|        |          | 80                 | 94.9                      | 111.8    | 6.74     | 88.8     | 4.9 | 58.2   | 90.1               | 116.1    | 6.57     | 93.7     | 5.2 | 61.9   | 88.0   | 119.8              | 6.41     | 97.9     | 5.5 | 63.5   |  |  |
|        |          | 100                | 114.6                     | 109.8    | 8.39     | 81.1     | 3.8 | 59.2   | 109.9              | 113.7    | 8.19     | 85.8     | 4.1 | 62.5   | 107.8  | 117.2              | 8.02     | 89.8     | 4.3 | 64.0   |  |  |
|        |          | 120                | 134.4                     | 107.7    | 10.03    | 73.5     | 3.1 | 60.2   | 129.7              | 111.4    | 9.82     | 77.9     | 3.3 | 63.2   | 127.6  | 114.6              | 9.63     | 81.7     | 3.5 | 64.6   |  |  |
|        | 23       | 60                 | 76.5                      | 124.0    | 5.24     | 106.1    | 6.9 | 55.8   | 71.2               | 129.2    | 5.06     | 111.9    | 7.5 | 60.3   | 68.9   | 133.8              | 4.91     | 117.0    | 8.0 | 62.2   |  |  |
|        |          | 80                 | 96.3                      | 122.0    | 6.92     | 98.3     | 5.2 | 56.9   | 91.0               | 126.9    | 6.73     | 103.9    | 5.5 | 61.0   | 88.7   | 131.2              | 6.55     | 108.8    | 5.9 | 62.7   |  |  |
|        |          | 100                | 116.0                     | 119.9    | 8.60     | 90.6     | 4.1 | 57.9   | 110.8              | 124.5    | 8.39     | 95.9     | 4.4 | 61.7   | 108.6  | 128.6              | 8.20     | 100.6    | 4.6 | 63.3   |  |  |
|        |          | 120                | 135.7                     | 117.8    | 10.28    | 82.8     | 3.4 | 59.0   | 130.6              | 122.2    | 10.05    | 87.9     | 3.6 | 62.4   | 128.4  | 126.0              | 9.85     | 92.4     | 3.7 | 63.8   |  |  |
|        | 30       | 60                 | 77.7                      | 132.9    | 5.37     | 114.6    | 7.3 | 54.7   | 72.1               | 138.7    | 5.17     | 121.0    | 7.9 | 59.5   | 69.6   | 143.7              | 5.00     | 126.7    | 8.4 | 61.6   |  |  |
|        |          | 80                 | 97.4                      | 130.8    | 7.08     | 106.7    | 5.4 | 55.8   | 91.9               | 136.3    | 6.86     | 112.9    | 5.8 | 60.2   | 89.4   | 141.1              | 6.68     | 118.3    | 6.2 | 62.1   |  |  |
|        |          | 100                | 117.2                     | 128.8    | 8.79     | 98.8     | 4.3 | 56.8   | 111.7              | 134.0    | 8.56     | 104.8    | 4.6 | 60.9   | 109.2  | 138.5              | 8.36     | 110.0    | 4.9 | 62.7   |  |  |
|        |          | 120                | 136.9                     | 126.7    | 10.50    | 90.9     | 3.5 | 57.9   | 131.4              | 131.6    | 10.25    | 96.7     | 3.8 | 61.6   | 129.1  | 135.9              | 10.03    | 101.7    | 4.0 | 63.2   |  |  |
| 90     | 15       | 60                 | 76.7                      | 125.6    | 5.20     | 107.9    | 7.1 | 75.6   | 71.4               | 131.4    | 5.04     | 114.2    | 7.6 | 80.1   | 69.1   | 136.5              | 4.90     | 119.8    | 8.2 | 82.0   |  |  |
|        |          | 80                 | 96.5                      | 123.5    | 6.87     | 100.1    | 5.3 | 76.7   | 91.2               | 129.1    | 6.69     | 106.2    | 5.7 | 80.8   | 88.9   | 133.9              | 6.53     | 111.6    | 6.0 | 82.6   |  |  |
|        |          | 100                | Operation not recommended |          |          |          |     |        |                    |          |          |          |     |        |        |                    |          |          |     |        |  |  |
|        |          | 120                | Operation not recommended |          |          |          |     |        |                    |          |          |          |     |        |        |                    |          |          |     |        |  |  |
|        | 23       | 60                 | 78.7                      | 140.4    | 5.36     | 122.1    | 7.7 | 73.7   | 72.7               | 146.6    | 5.17     | 128.9    | 8.3 | 78.8   | 70.1   | 152.0              | 5.01     | 134.9    | 8.9 | 81.0   |  |  |
|        |          | 80                 | 98.4                      | 138.3    | 7.06     | 114.2    | 5.7 | 74.8   | 92.5               | 144.2    | 6.86     | 120.9    | 6.2 | 79.5   | 90.0   | 149.4              | 6.68     | 126.6    | 6.6 | 81.6   |  |  |
|        |          | 100                | Operation not recommended |          |          |          |     |        |                    |          |          |          |     |        |        |                    |          |          |     |        |  |  |
|        |          | 120                | Operation not recommended |          |          |          |     |        |                    |          |          |          |     |        |        |                    |          |          |     |        |  |  |
|        | 30       | 60                 | 80.4                      | 153.3    | 5.50     | 134.6    | 8.2 | 72.1   | 73.9               | 159.9    | 5.29     | 141.8    | 8.9 | 77.7   | 71.0   | 165.6              | 5.10     | 148.2    | 9.5 | 80.1   |  |  |
|        |          | 80                 | 100.2                     | 151.3    | 7.23     | 126.6    | 6.1 | 73.1   | 93.7               | 157.5    | 7.00     | 133.6    | 6.6 | 78.4   | 90.9   | 163.0              | 6.80     | 139.8    | 7.0 | 80.7   |  |  |
|        |          | 100                | Operation not recommended |          |          |          |     |        |                    |          |          |          |     |        |        |                    |          |          |     |        |  |  |
|        |          | 120                | Operation not recommended |          |          |          |     |        |                    |          |          |          |     |        |        |                    |          |          |     |        |  |  |

NOTE: For part load application, divide capacity by 2.

3/7/13

# YHTW120 - Performance Data

## Cooling Capacity

| Source |          | Load Flow - 18 GPM |                           |          |          |          |      |        | Load Flow - 28 GPM |          |          |          |      |        |        | Load Flow - 36 GPM |          |          |      |        |  |  |
|--------|----------|--------------------|---------------------------|----------|----------|----------|------|--------|--------------------|----------|----------|----------|------|--------|--------|--------------------|----------|----------|------|--------|--|--|
| EST °F | Flow GPM | ELT °F             | LLT °F                    | TC MBTUH | Power kW | HR MBTUH | EER  | LST °F | LLT °F             | TC MBTUH | Power kW | HR MBTUH | EER  | LST °F | LLT °F | TC MBTUH           | Power kW | HR MBTUH | EER  | LST °F |  |  |
| 30     | 18       | 50                 | 35.8                      | 128.0    | 5.26     | 145.9    | 24.3 | 49.5   | 40.5               | 132.6    | 5.30     | 150.7    | 25.0 | 50.1   | 42.4   | 136.3              | 5.34     | 154.5    | 25.5 | 50.6   |  |  |
|        |          | 70                 | 54.0                      | 143.7    | 5.43     | 162.2    | 26.5 | 51.6   | 59.4               | 148.9    | 5.47     | 167.5    | 27.2 | 52.3   | 61.5   | 153.0              | 5.51     | 171.8    | 27.8 | 52.9   |  |  |
|        |          | 90                 | 72.3                      | 159.3    | 5.60     | 178.4    | 28.5 | 53.8   | 78.2               | 165.1    | 5.64     | 184.4    | 29.2 | 54.6   | 80.6   | 169.7              | 5.68     | 189.1    | 29.9 | 55.2   |  |  |
|        |          | 110                | 90.6                      | 175.0    | 5.77     | 194.7    | 30.3 | 56.0   | 97.0               | 181.3    | 5.81     | 201.2    | 31.2 | 56.8   | 99.6   | 186.4              | 5.85     | 206.4    | 31.9 | 57.5   |  |  |
|        | 28       | 50                 | 35.4                      | 131.3    | 5.05     | 148.6    | 26.0 | 42.9   | 40.3               | 136.1    | 5.10     | 153.5    | 26.7 | 43.3   | 42.2   | 139.9              | 5.13     | 157.4    | 27.3 | 43.7   |  |  |
|        |          | 70                 | 53.6                      | 147.6    | 5.18     | 165.2    | 28.5 | 44.4   | 59.1               | 152.9    | 5.22     | 170.7    | 29.3 | 44.8   | 61.3   | 157.1              | 5.26     | 175.1    | 29.9 | 45.2   |  |  |
|        |          | 90                 | 71.8                      | 163.8    | 5.31     | 181.9    | 30.9 | 45.8   | 77.9               | 169.7    | 5.35     | 188.0    | 31.7 | 46.3   | 80.3   | 174.4              | 5.38     | 192.8    | 32.4 | 46.8   |  |  |
|        |          | 110                | 90.0                      | 180.0    | 5.43     | 198.5    | 33.1 | 47.3   | 96.7               | 186.5    | 5.48     | 205.2    | 34.1 | 47.8   | 99.3   | 191.7              | 5.51     | 210.5    | 34.8 | 48.3   |  |  |
|        | 36       | 50                 | 35.1                      | 134.0    | 4.89     | 150.7    | 27.4 | 40.0   | 40.1               | 138.8    | 4.93     | 155.7    | 28.2 | 40.4   | 42.1   | 142.7              | 4.96     | 159.6    | 28.8 | 40.6   |  |  |
|        |          | 70                 | 53.3                      | 150.7    | 4.98     | 167.7    | 30.3 | 41.2   | 58.8               | 156.1    | 5.02     | 173.2    | 31.1 | 41.5   | 61.1   | 160.5              | 5.05     | 177.7    | 31.8 | 41.8   |  |  |
|        |          | 90                 | 71.4                      | 167.3    | 5.07     | 184.6    | 33.0 | 42.3   | 77.6               | 173.4    | 5.11     | 190.8    | 33.9 | 42.7   | 80.1   | 178.2              | 5.15     | 195.8    | 34.6 | 43.1   |  |  |
|        |          | 110                | 89.6                      | 184.0    | 5.16     | 201.6    | 35.7 | 43.4   | 96.4               | 190.7    | 5.20     | 208.4    | 36.6 | 43.9   | 99.1   | 196.0              | 5.24     | 213.9    | 37.4 | 44.3   |  |  |
| 50     | 18       | 50                 | 36.7                      | 119.8    | 6.79     | 142.9    | 17.6 | 69.1   | 41.1               | 124.1    | 6.84     | 147.4    | 18.1 | 69.9   | 42.9   | 127.5              | 6.89     | 151.0    | 18.5 | 70.1   |  |  |
|        |          | 70                 | 55.0                      | 135.4    | 6.95     | 159.1    | 19.5 | 71.2   | 60.0               | 140.3    | 7.01     | 164.2    | 20.0 | 71.9   | 62.0   | 144.2              | 7.06     | 168.3    | 20.4 | 72.4   |  |  |
|        |          | 90                 | 73.2                      | 151.1    | 7.12     | 175.4    | 21.2 | 73.4   | 78.8               | 156.5    | 7.18     | 181.0    | 21.8 | 74.1   | 81.1   | 160.9              | 7.23     | 185.6    | 22.3 | 74.7   |  |  |
|        |          | 110                | 91.5                      | 166.8    | 7.29     | 191.6    | 22.9 | 75.6   | 97.7               | 172.8    | 7.35     | 197.9    | 23.5 | 76.4   | 100.1  | 177.6              | 7.40     | 202.8    | 24.0 | 77.0   |  |  |
|        | 28       | 50                 | 36.2                      | 123.8    | 6.51     | 146.0    | 19.0 | 62.7   | 40.8               | 128.3    | 6.56     | 150.7    | 19.5 | 63.1   | 42.7   | 131.8              | 6.61     | 154.4    | 20.0 | 63.4   |  |  |
|        |          | 70                 | 54.4                      | 140.1    | 6.64     | 162.8    | 21.1 | 64.2   | 59.6               | 145.2    | 6.70     | 168.0    | 21.7 | 64.6   | 61.7   | 149.2              | 6.74     | 172.2    | 22.1 | 65.0   |  |  |
|        |          | 90                 | 72.6                      | 156.4    | 6.78     | 179.6    | 23.1 | 65.6   | 78.4               | 162.1    | 6.83     | 185.4    | 23.7 | 66.1   | 80.7   | 166.6              | 6.88     | 190.1    | 24.2 | 66.5   |  |  |
|        |          | 110                | 90.8                      | 172.8    | 6.91     | 196.3    | 25.0 | 67.1   | 97.2               | 179.0    | 6.97     | 202.8    | 25.7 | 67.6   | 99.8   | 184.0              | 7.01     | 207.9    | 26.2 | 68.1   |  |  |
|        | 36       | 50                 | 35.9                      | 127.1    | 6.29     | 148.5    | 20.2 | 59.9   | 40.6               | 131.6    | 6.34     | 153.3    | 20.8 | 60.2   | 42.5   | 135.3              | 6.38     | 157.1    | 21.2 | 60.5   |  |  |
|        |          | 70                 | 54.0                      | 143.9    | 6.40     | 165.7    | 22.5 | 61.0   | 59.4               | 149.1    | 6.45     | 171.1    | 23.1 | 61.4   | 61.5   | 153.2              | 6.49     | 175.4    | 23.6 | 61.7   |  |  |
|        |          | 90                 | 72.1                      | 160.7    | 6.50     | 182.9    | 24.7 | 62.2   | 78.1               | 166.5    | 6.55     | 188.9    | 25.4 | 62.6   | 80.5   | 171.2              | 6.60     | 193.7    | 26.0 | 62.9   |  |  |
|        |          | 110                | 90.3                      | 177.6    | 6.60     | 200.1    | 26.9 | 63.3   | 96.9               | 184.0    | 6.66     | 206.7    | 27.6 | 63.8   | 99.5   | 189.1              | 6.70     | 212.0    | 28.2 | 64.1   |  |  |
| 70     | 18       | 50                 | 37.6                      | 111.5    | 8.31     | 139.9    | 13.4 | 88.6   | 41.7               | 115.5    | 8.38     | 144.1    | 13.8 | 89.2   | 43.4   | 118.8              | 8.44     | 147.5    | 14.1 | 89.7   |  |  |
|        |          | 70                 | 55.9                      | 127.2    | 8.48     | 156.1    | 15.0 | 90.8   | 60.6               | 131.8    | 8.55     | 160.9    | 15.4 | 91.5   | 62.5   | 135.4              | 8.61     | 164.8    | 15.7 | 92.0   |  |  |
|        |          | 90                 | 74.1                      | 142.8    | 8.65     | 172.3    | 16.5 | 93.0   | 79.4               | 148.0    | 8.72     | 177.7    | 17.0 | 93.7   | 81.5   | 152.1              | 8.78     | 182.1    | 17.3 | 94.3   |  |  |
|        |          | 110                | Operation not recommended |          |          |          |      |        |                    |          |          |          |      |        |        |                    |          |          |      |        |  |  |
|        | 28       | 50                 | 37.1                      | 116.3    | 7.97     | 143.5    | 14.6 | 82.5   | 41.4               | 120.5    | 8.03     | 147.9    | 15.0 | 82.9   | 43.1   | 123.8              | 8.09     | 151.4    | 15.3 | 83.2   |  |  |
|        |          | 70                 | 55.3                      | 132.7    | 8.11     | 160.4    | 16.4 | 83.9   | 60.2               | 137.5    | 8.17     | 165.4    | 16.8 | 84.4   | 62.1   | 141.3              | 8.23     | 169.4    | 17.2 | 84.7   |  |  |
|        |          | 90                 | 73.4                      | 149.1    | 8.25     | 177.2    | 18.1 | 85.4   | 79.0               | 154.5    | 8.32     | 182.9    | 18.6 | 85.9   | 81.2   | 158.8              | 8.37     | 187.3    | 19.0 | 86.3   |  |  |
|        |          | 110                | Operation not recommended |          |          |          |      |        |                    |          |          |          |      |        |        |                    |          |          |      |        |  |  |
|        | 36       | 50                 | 36.7                      | 120.1    | 7.70     | 146.4    | 15.6 | 79.8   | 41.1               | 124.4    | 7.76     | 150.9    | 16.0 | 80.1   | 42.9   | 127.9              | 7.81     | 154.5    | 16.4 | 80.3   |  |  |
|        |          | 70                 | 54.8                      | 137.1    | 7.81     | 163.8    | 17.6 | 80.9   | 59.9               | 142.1    | 7.87     | 168.9    | 18.0 | 81.3   | 61.9   | 146.0              | 7.93     | 173.1    | 18.4 | 81.5   |  |  |
|        |          | 90                 | 72.9                      | 154.1    | 7.93     | 181.2    | 19.4 | 82.1   | 78.6               | 159.7    | 7.99     | 187.0    | 20.0 | 82.5   | 80.9   | 164.1              | 8.05     | 191.6    | 20.4 | 82.8   |  |  |
|        |          | 110                | Operation not recommended |          |          |          |      |        |                    |          |          |          |      |        |        |                    |          |          |      |        |  |  |
| 90     | 18       | 50                 | 38.5                      | 103.3    | 9.84     | 136.8    | 10.5 | 108.2  | 42.4               | 107.0    | 9.92     | 140.8    | 10.8 | 108.8  | 43.9   | 110.0              | 9.98     | 144.0    | 11.0 | 109.2  |  |  |
|        |          | 70                 | 56.8                      | 118.9    | 10.00    | 153.0    | 11.9 | 110.4  | 61.2               | 123.2    | 10.09    | 157.6    | 12.2 | 111.0  | 63.0   | 126.7              | 10.15    | 161.3    | 12.5 | 111.5  |  |  |
|        |          | 90                 | 75.0                      | 134.6    | 10.17    | 169.3    | 13.2 | 112.6  | 80.0               | 139.4    | 10.25    | 174.4    | 13.6 | 113.3  | 82.0   | 143.3              | 10.32    | 178.5    | 13.9 | 113.8  |  |  |
|        |          | 110                | Operation not recommended |          |          |          |      |        |                    |          |          |          |      |        |        |                    |          |          |      |        |  |  |
|        | 28       | 50                 | 37.9                      | 108.8    | 9.43     | 140.9    | 11.5 | 102.3  | 42.0               | 112.7    | 9.50     | 145.1    | 11.9 | 102.6  | 43.6   | 115.8              | 9.56     | 148.5    | 12.1 | 102.9  |  |  |
|        |          | 70                 | 56.1                      | 125.3    | 9.57     | 157.9    | 13.1 | 103.7  | 60.7               | 129.8    | 9.65     | 162.7    | 13.4 | 104.1  | 62.6   | 133.4              | 9.71     | 166.5    | 13.7 | 104.5  |  |  |
|        |          | 90                 | 74.2                      | 141.8    | 9.72     | 174.9    | 14.6 | 105.2  | 79.5               | 146.9    | 9.80     | 180.3    | 15.0 | 105.7  | 81.6   | 151.0              | 9.86     | 184.6    | 15.3 | 106.1  |  |  |
|        |          | 110                | Operation not recommended |          |          |          |      |        |                    |          |          |          |      |        |        |                    |          |          |      |        |  |  |
|        | 36       | 50                 | 37.4                      | 113.2    | 9.10     | 144.2    | 12.4 | 99.6   | 41.6               | 117.2    | 9.17     | 148.5    | 12.8 | 99.9   | 43.3   | 120.5              | 9.23     | 152.0    | 13.1 | 100.1  |  |  |
|        |          | 70                 | 55.5                      | 130.3    | 9.23     | 161.8    | 14.1 | 100.8  | 60.4               | 135.0    | 9.30     | 166.8    | 14.5 | 101.1  | 62.3   | 138.8              | 9.36     | 170.7    | 14.8 | 101.4  |  |  |
|        |          | 90                 | 73.6                      | 147.5    | 9.36     | 179.4    | 15.8 | 102.0  | 79.1               | 152.8    | 9.43     | 185.0    | 16.2 | 102.3  | 81.3   | 157.1              | 9.49     | 189.5    | 16.5 | 102.6  |  |  |
|        |          | 110                | Operation not recommended |          |          |          |      |        |                    |          |          |          |      |        |        |                    |          |          |      |        |  |  |
| 110    | 18       | 50                 | 39.4                      | 95.0     | 11.36    | 133.8    | 8.4  | 127.8  | 43.0               | 98.4     | 11.45    | 137.5    | 8.6  | 128.3  | 44.4   | 101.2              | 11.53    | 140.5    | 8.8  | 128.7  |  |  |
|        |          | 70                 | 57.7                      | 110.7    | 11.53    | 150.0    | 9.6  | 130.0  | 61.8               | 114.7    | 11.62    | 154.3    | 9.9  | 130.6  | 63.5   | 117.9              | 11.70    | 157.8    | 10.1 | 131.0  |  |  |
|        |          | 90                 | Operation not recommended |          |          |          |      |        |                    |          |          |          |      |        |        |                    |          |          |      |        |  |  |
|        |          | 110                | Operation not recommended |          |          |          |      |        |                    |          |          |          |      |        |        |                    |          |          |      |        |  |  |
|        | 28       | 50                 | 38.8                      | 101.2    | 10.88    | 138.4    | 9.3  | 122.0  | 42.5               | 104.9    | 10.97    | 142.3    | 9.6  | 122.4  | 44.0   | 107.8              | 11.04    | 145.5    | 9.8  | 122.7  |  |  |
|        |          | 70                 | 56.9                      | 117.8    | 11.04    | 155.5    | 10.7 | 123.5  | 61.3               | 122.1    | 11.13    | 160.0    | 11.0 | 123.9  | 63.0   | 125.5              | 11.20    | 163.7    | 11.2 | 124.2  |  |  |
|        |          | 90                 | Operation not recommended |          |          |          |      |        |                    |          |          |          |      |        |        |                    |          |          |      |        |  |  |
|        |          | 110                | Operation not recommended |          |          |          |      |        |                    |          |          |          |      |        |        |                    |          |          |      |        |  |  |
|        | 36       | 50                 | 38.2                      | 106.2    | 10.50    | 142.0    | 10.1 | 119.5  | 42.1               | 110.0    | 10.58    | 146.1    | 10.4 | 119.7  | 43.7   | 113.1              | 10.65    | 149.4    | 10.6 | 120.0  |  |  |
|        |          | 70                 | 56.3                      | 123.5    | 10.64    | 159.9    | 11.6 | 120.7  | 60.9               | 128.0    | 10.73    | 164.6    | 11.9 | 121.0  | 62.7   | 131.6              | 10.80    | 168.4    | 12.2 | 121.2  |  |  |
|        |          | 90                 | Operation not recommended |          |          |          |      |        |                    |          |          |          |      |        |        |                    |          |          |      |        |  |  |
|        |          | 110                | Operation not recommended |          |          |          |      |        |                    |          |          |          |      |        |        |                    |          |          |      |        |  |  |

NOTE: For part load application, divide capacity by 2.



# YHTW120 - Performance Data

## Heating Capacity

| Source |          | Load Flow - 18 GPM |                           |          |          |          |     |        | Load Flow - 28 GPM |          |          |          |     |        |        | Load Flow - 36 GPM |          |          |     |        |  |  |
|--------|----------|--------------------|---------------------------|----------|----------|----------|-----|--------|--------------------|----------|----------|----------|-----|--------|--------|--------------------|----------|----------|-----|--------|--|--|
| EWT °F | Flow GPM | ELT °F             | LLT °F                    | HC MBTUH | Power kW | HE MBTUH | COP | LST °F | LLT °F             | HC MBTUH | Power kW | HE MBTUH | COP | LST °F | LLT °F | HC MBTUH           | Power kW | HE MBTUH | COP | LST °F |  |  |
| 30     | 28       | 60                 | 71.0                      | 98.9     | 5.36     | 80.6     | 5.4 | 21.0   | 67.3               | 102.4    | 5.44     | 83.8     | 5.5 | 24.0   | 65.8   | 105.2              | 5.51     | 86.4     | 5.6 | 25.2   |  |  |
|        |          | 80                 | 90.7                      | 96.2     | 7.16     | 71.8     | 3.9 | 22.0   | 87.1               | 99.6     | 7.26     | 74.9     | 4.0 | 24.7   | 85.7   | 102.4              | 7.34     | 77.3     | 4.1 | 25.7   |  |  |
|        |          | 100                | 110.4                     | 93.6     | 8.96     | 63.0     | 3.1 | 23.0   | 106.9              | 96.9     | 9.08     | 65.9     | 3.1 | 25.3   | 105.5  | 99.6               | 9.18     | 68.3     | 3.2 | 26.2   |  |  |
|        |          | 120                | 130.1                     | 90.9     | 10.76    | 54.2     | 2.5 | 24.0   | 126.7              | 94.2     | 10.90    | 57.0     | 2.5 | 25.9   | 125.4  | 96.9               | 11.01    | 59.3     | 2.6 | 26.7   |  |  |
|        | 36       | 60                 | 71.2                      | 101.2    | 5.40     | 82.8     | 5.5 | 20.8   | 67.6               | 106.1    | 5.51     | 87.3     | 5.6 | 23.8   | 66.1   | 110.0              | 5.60     | 90.9     | 5.8 | 25.0   |  |  |
|        |          | 80                 | 90.9                      | 98.5     | 7.20     | 74.0     | 4.0 | 21.8   | 87.4               | 103.4    | 7.33     | 78.4     | 4.1 | 24.4   | 86.0   | 107.2              | 7.43     | 81.9     | 4.2 | 25.5   |  |  |
|        |          | 100                | 110.7                     | 95.9     | 9.00     | 65.2     | 3.1 | 22.8   | 107.2              | 100.6    | 9.15     | 69.4     | 3.2 | 25.0   | 105.8  | 104.5              | 9.27     | 72.8     | 3.3 | 26.0   |  |  |
|        |          | 120                | 130.4                     | 93.2     | 10.80    | 56.4     | 2.5 | 23.7   | 127.0              | 97.9     | 10.97    | 60.5     | 2.6 | 25.7   | 125.7  | 101.7              | 11.10    | 63.8     | 2.7 | 26.5   |  |  |
| 50     | 18       | 60                 | 72.6                      | 113.4    | 5.53     | 94.5     | 6.0 | 39.5   | 68.4               | 116.9    | 5.59     | 97.8     | 6.1 | 43.0   | 66.7   | 119.7              | 5.63     | 100.5    | 6.2 | 44.4   |  |  |
|        |          | 80                 | 92.3                      | 110.7    | 7.33     | 85.7     | 4.4 | 40.5   | 88.2               | 114.2    | 7.41     | 88.9     | 4.5 | 43.6   | 86.5   | 117.0              | 7.47     | 91.5     | 4.6 | 44.9   |  |  |
|        |          | 100                | 112.0                     | 108.0    | 9.13     | 76.9     | 3.5 | 41.5   | 108.0              | 111.5    | 9.23     | 80.0     | 3.5 | 44.3   | 106.3  | 114.2              | 9.30     | 82.5     | 3.6 | 45.4   |  |  |
|        |          | 120                | 131.7                     | 105.4    | 10.93    | 68.1     | 2.8 | 42.4   | 127.8              | 108.7    | 11.04    | 71.1     | 2.9 | 44.9   | 126.2  | 111.4              | 11.13    | 73.4     | 2.9 | 45.9   |  |  |
|        | 28       | 60                 | 73.3                      | 119.7    | 5.63     | 100.5    | 6.2 | 38.8   | 68.9               | 124.5    | 5.70     | 105.1    | 6.4 | 42.5   | 67.1   | 128.4              | 5.76     | 108.7    | 6.5 | 44.0   |  |  |
|        |          | 80                 | 93.0                      | 117.1    | 7.43     | 91.7     | 4.6 | 39.8   | 88.7               | 121.8    | 7.52     | 96.1     | 4.7 | 43.1   | 87.0   | 125.6              | 7.60     | 99.7     | 4.8 | 44.5   |  |  |
|        |          | 100                | 112.7                     | 114.4    | 9.23     | 82.9     | 3.6 | 40.8   | 108.5              | 119.1    | 9.34     | 87.2     | 3.7 | 43.8   | 106.8  | 122.8              | 9.43     | 90.7     | 3.8 | 45.0   |  |  |
|        |          | 120                | 132.4                     | 111.7    | 11.03    | 74.1     | 3.0 | 41.8   | 128.3              | 116.4    | 11.16    | 78.3     | 3.1 | 44.4   | 126.7  | 120.1              | 11.26    | 81.6     | 3.1 | 45.5   |  |  |
|        | 36       | 60                 | 73.9                      | 124.8    | 5.70     | 105.4    | 6.4 | 38.3   | 69.3               | 130.6    | 5.79     | 110.9    | 6.6 | 42.1   | 67.5   | 135.3              | 5.87     | 115.2    | 6.8 | 43.6   |  |  |
|        |          | 80                 | 93.6                      | 122.1    | 7.50     | 96.5     | 4.8 | 39.3   | 89.1               | 127.9    | 7.61     | 101.9    | 4.9 | 42.7   | 87.4   | 132.5              | 7.70     | 106.2    | 5.0 | 44.1   |  |  |
|        |          | 100                | 113.3                     | 119.5    | 9.30     | 87.7     | 3.8 | 40.3   | 108.9              | 125.2    | 9.43     | 93.0     | 3.9 | 43.4   | 107.2  | 129.7              | 9.53     | 97.2     | 4.0 | 44.6   |  |  |
|        |          | 120                | 133.0                     | 116.8    | 11.10    | 78.9     | 3.1 | 41.2   | 128.7              | 122.4    | 11.25    | 84.1     | 3.2 | 44.0   | 127.1  | 127.0              | 11.37    | 88.2     | 3.3 | 45.1   |  |  |
| 70     | 18       | 60                 | 74.5                      | 130.7    | 5.77     | 111.1    | 6.6 | 57.7   | 69.7               | 136.1    | 5.82     | 116.2    | 6.9 | 61.7   | 67.8   | 140.4              | 5.87     | 120.3    | 7.0 | 63.3   |  |  |
|        |          | 80                 | 94.2                      | 128.1    | 7.57     | 102.2    | 5.0 | 58.6   | 89.5               | 133.4    | 7.64     | 107.3    | 5.1 | 62.3   | 87.6   | 137.6              | 7.70     | 111.3    | 5.2 | 63.8   |  |  |
|        |          | 100                | 113.9                     | 125.4    | 9.37     | 93.4     | 3.9 | 59.6   | 109.3              | 130.6    | 9.46     | 98.4     | 4.0 | 63.0   | 107.5  | 134.8              | 9.53     | 102.3    | 4.1 | 64.3   |  |  |
|        |          | 120                | 133.6                     | 122.7    | 11.17    | 84.6     | 3.2 | 60.6   | 129.1              | 127.9    | 11.28    | 89.4     | 3.3 | 63.6   | 127.3  | 132.1              | 11.37    | 93.3     | 3.4 | 64.8   |  |  |
|        | 28       | 60                 | 75.6                      | 140.5    | 5.90     | 120.4    | 7.0 | 56.6   | 70.5               | 146.7    | 5.96     | 126.3    | 7.2 | 61.0   | 68.4   | 151.6              | 6.01     | 131.0    | 7.4 | 62.7   |  |  |
|        |          | 80                 | 95.3                      | 137.9    | 7.70     | 111.6    | 5.3 | 57.6   | 90.3               | 143.9    | 7.78     | 117.4    | 5.4 | 61.6   | 88.3   | 148.8              | 7.85     | 122.0    | 5.6 | 63.2   |  |  |
|        |          | 100                | 115.0                     | 135.2    | 9.50     | 102.8    | 4.2 | 58.6   | 110.1              | 141.2    | 9.60     | 108.5    | 4.3 | 62.3   | 108.1  | 146.0              | 9.68     | 113.0    | 4.4 | 63.7   |  |  |
|        |          | 120                | 134.7                     | 132.5    | 11.30    | 94.0     | 3.4 | 59.6   | 129.9              | 138.5    | 11.42    | 99.5     | 3.6 | 62.9   | 128.0  | 143.3              | 11.51    | 104.0    | 3.6 | 64.2   |  |  |
|        | 36       | 60                 | 76.5                      | 148.4    | 6.00     | 127.9    | 7.2 | 55.8   | 71.1               | 155.1    | 6.07     | 134.4    | 7.5 | 60.4   | 68.9   | 160.5              | 6.13     | 139.6    | 7.7 | 62.2   |  |  |
|        |          | 80                 | 96.2                      | 145.7    | 7.80     | 119.1    | 5.5 | 56.8   | 90.9               | 152.4    | 7.89     | 125.5    | 5.7 | 61.0   | 88.8   | 157.8              | 7.97     | 130.6    | 5.8 | 62.7   |  |  |
|        |          | 100                | 115.9                     | 143.1    | 9.60     | 110.3    | 4.4 | 57.7   | 110.7              | 149.7    | 9.71     | 116.6    | 4.5 | 61.7   | 108.6  | 155.0              | 9.80     | 121.6    | 4.6 | 63.2   |  |  |
|        |          | 120                | 135.6                     | 140.4    | 11.40    | 101.5    | 3.6 | 58.7   | 130.5              | 147.0    | 11.53    | 107.6    | 3.7 | 62.3   | 128.5  | 152.2              | 11.63    | 112.5    | 3.8 | 63.7   |  |  |
| 90     | 18       | 60                 | 76.5                      | 148.1    | 6.00     | 127.6    | 7.2 | 75.8   | 71.1               | 155.3    | 6.06     | 134.6    | 7.5 | 80.4   | 68.9   | 161.0              | 6.10     | 140.2    | 7.7 | 82.2   |  |  |
|        |          | 80                 | 96.2                      | 145.4    | 7.80     | 118.8    | 5.5 | 76.8   | 90.9               | 152.5    | 7.87     | 125.7    | 5.7 | 81.0   | 88.8   | 158.2              | 7.93     | 131.2    | 5.8 | 82.7   |  |  |
|        |          | 100                |                           |          |          |          |     |        |                    |          |          |          |     |        |        |                    |          |          |     |        |  |  |
|        |          | 120                | Operation not recommended |          |          |          |     |        |                    |          |          |          |     |        |        |                    |          |          |     |        |  |  |
|        | 28       | 60                 | 77.9                      | 161.4    | 6.17     | 140.3    | 7.7 | 74.4   | 72.1               | 168.8    | 6.22     | 147.6    | 8.0 | 79.5   | 69.7   | 174.8              | 6.27     | 153.4    | 8.2 | 81.5   |  |  |
|        |          | 80                 | 97.6                      | 158.7    | 7.97     | 131.5    | 5.8 | 75.4   | 91.9               | 166.1    | 8.04     | 138.7    | 6.1 | 80.1   | 89.6   | 172.0              | 8.10     | 144.4    | 6.2 | 82.0   |  |  |
|        |          | 100                |                           |          |          |          |     |        |                    |          |          |          |     |        |        |                    |          |          |     |        |  |  |
|        |          | 120                | Operation not recommended |          |          |          |     |        |                    |          |          |          |     |        |        |                    |          |          |     |        |  |  |
|        | 36       | 60                 | 79.1                      | 172.0    | 6.30     | 150.5    | 8.0 | 73.3   | 72.8               | 179.7    | 6.36     | 158.0    | 8.3 | 78.7   | 70.3   | 185.8              | 6.40     | 164.0    | 8.5 | 80.9   |  |  |
|        |          | 80                 | 98.8                      | 169.3    | 8.10     | 141.7    | 6.1 | 74.3   | 92.6               | 176.9    | 8.17     | 149.1    | 6.3 | 79.4   | 90.2   | 183.0              | 8.23     | 154.9    | 6.5 | 81.4   |  |  |
|        |          | 100                |                           |          |          |          |     |        |                    |          |          |          |     |        |        |                    |          |          |     |        |  |  |
|        |          | 120                | Operation not recommended |          |          |          |     |        |                    |          |          |          |     |        |        |                    |          |          |     |        |  |  |

NOTE: For part load application, divide capacity by 2.

3/7/13

# YHTW150 - Performance Data

## Cooling Capacity

| Source |          | Load Flow - 21 GPM |                           |          |          |          |      |        | Load Flow - 32 GPM |          |          |          |      |        |        | Load Flow - 42 GPM |          |          |      |        |  |  |
|--------|----------|--------------------|---------------------------|----------|----------|----------|------|--------|--------------------|----------|----------|----------|------|--------|--------|--------------------|----------|----------|------|--------|--|--|
| EST °F | Flow GPM | ELT °F             | LLT °F                    | TC MBTUH | Power kW | HR MBTUH | EER  | LST °F | LLT °F             | TC MBTUH | Power kW | HR MBTUH | EER  | LST °F | LLT °F | TC MBTUH           | Power kW | HR MBTUH | EER  | LST °F |  |  |
| 30     | 21       | 50                 | 35.3                      | 153.9    | 5.76     | 173.5    | 26.7 | 46.5   | 40.0               | 159.9    | 5.9      | 179.9    | 27.3 | 47.1   | 42.1   | 165.4              | 5.94     | 185.7    | 27.9 | 47.7   |  |  |
|        |          | 70                 | 52.3                      | 185.8    | 6.22     | 207.0    | 29.8 | 49.7   | 57.9               | 193.1    | 6.3      | 214.7    | 30.5 | 50.4   | 60.5   | 199.8              | 6.42     | 221.7    | 31.1 | 51.1   |  |  |
|        |          | 90                 | 69.3                      | 217.7    | 6.69     | 240.5    | 32.6 | 52.9   | 75.9               | 226.3    | 6.8      | 249.5    | 33.3 | 53.8   | 78.9   | 234.1              | 6.89     | 257.6    | 34.0 | 54.5   |  |  |
|        |          | 110                | 86.2                      | 249.6    | 7.15     | 274.0    | 34.9 | 56.1   | 93.8               | 259.5    | 7.3      | 284.2    | 35.7 | 57.1   | 97.2   | 268.4              | 7.37     | 293.5    | 36.4 | 58.0   |  |  |
|        | 32       | 50                 | 34.3                      | 164.4    | 5.5      | 183.1    | 30.0 | 41.4   | 39.3               | 171.1    | 5.6      | 190.1    | 30.7 | 41.9   | 41.6   | 177.3              | 5.7      | 196.6    | 31.3 | 42.3   |  |  |
|        |          | 70                 | 51.1                      | 198.7    | 5.93     | 218.9    | 33.5 | 43.7   | 57.1               | 206.7    | 6.0      | 227.3    | 34.3 | 44.2   | 59.8   | 214.0              | 6.11     | 234.9    | 35.0 | 44.7   |  |  |
|        |          | 90                 | 67.8                      | 233.1    | 6.37     | 254.8    | 36.6 | 45.9   | 74.9               | 242.4    | 6.5      | 264.4    | 37.5 | 46.5   | 78.1   | 250.8              | 6.57     | 273.2    | 38.2 | 47.1   |  |  |
|        |          | 110                | 84.5                      | 267.4    | 6.8      | 290.7    | 39.3 | 48.2   | 92.6               | 278.0    | 6.9      | 301.6    | 40.2 | 48.8   | 96.3   | 287.6              | 7.0      | 311.5    | 41.0 | 49.5   |  |  |
|        | 42       | 50                 | 33.4                      | 173.9    | 5.24     | 191.8    | 33.2 | 39.1   | 38.7               | 181.3    | 5.3      | 199.4    | 34.1 | 39.5   | 41.0   | 188.0              | 5.40     | 206.4    | 34.8 | 39.8   |  |  |
|        |          | 70                 | 50.0                      | 210.5    | 5.66     | 229.8    | 37.2 | 40.9   | 56.3               | 219.1    | 5.8      | 238.8    | 38.1 | 41.4   | 59.2   | 227.0              | 5.83     | 246.9    | 38.9 | 41.8   |  |  |
|        |          | 90                 | 66.5                      | 247.1    | 6.08     | 267.8    | 40.6 | 42.8   | 73.9               | 257.0    | 6.2      | 278.1    | 41.6 | 43.2   | 77.3   | 266.0              | 6.27     | 287.4    | 42.4 | 43.7   |  |  |
|        |          | 110                | 83.0                      | 283.7    | 6.50     | 305.8    | 43.6 | 44.6   | 91.6               | 294.8    | 6.6      | 317.4    | 44.6 | 45.1   | 95.5   | 305.0              | 6.70     | 327.9    | 45.5 | 45.6   |  |  |
| 50     | 21       | 50                 | 36.4                      | 143.2    | 7.49     | 168.8    | 19.1 | 66.1   | 40.7               | 148.9    | 7.6      | 174.9    | 19.6 | 66.7   | 42.7   | 154.0              | 7.73     | 180.4    | 19.9 | 67.2   |  |  |
|        |          | 70                 | 53.3                      | 175.2    | 8.02     | 202.5    | 21.9 | 69.3   | 58.6               | 182.1    | 8.1      | 209.9    | 22.4 | 70.0   | 61.0   | 188.4              | 8.26     | 216.6    | 22.8 | 70.6   |  |  |
|        |          | 90                 | 70.3                      | 207.2    | 8.54     | 236.3    | 24.3 | 72.5   | 76.5               | 215.3    | 8.7      | 244.9    | 24.8 | 73.3   | 79.4   | 222.7              | 8.80     | 252.8    | 25.3 | 74.1   |  |  |
|        |          | 110                | 87.2                      | 239.1    | 9.06     | 270.0    | 26.4 | 75.7   | 94.5               | 248.5    | 9.2      | 280.0    | 27.0 | 76.7   | 97.8   | 257.1              | 9.34     | 289.0    | 27.5 | 77.5   |  |  |
|        | 32       | 50                 | 35.5                      | 151.8    | 7.2      | 176.2    | 21.2 | 61.0   | 40.1               | 158.0    | 7.3      | 182.8    | 21.7 | 61.4   | 42.2   | 163.7              | 7.4      | 188.8    | 22.2 | 61.8   |  |  |
|        |          | 70                 | 52.3                      | 185.8    | 7.65     | 211.9    | 24.3 | 63.2   | 57.9               | 193.3    | 7.8      | 219.8    | 24.9 | 63.7   | 60.5   | 200.1              | 7.89     | 227.0    | 25.4 | 64.2   |  |  |
|        |          | 90                 | 69.1                      | 219.9    | 8.15     | 247.7    | 27.0 | 65.5   | 75.7               | 228.6    | 8.3      | 256.9    | 27.6 | 66.1   | 78.7   | 236.6              | 8.40     | 265.2    | 28.2 | 66.6   |  |  |
|        |          | 110                | 85.8                      | 253.9    | 8.6      | 283.4    | 29.4 | 67.7   | 93.5               | 263.9    | 8.8      | 293.9    | 30.0 | 68.4   | 97.0   | 273.0              | 8.9      | 303.4    | 30.6 | 69.0   |  |  |
|        | 42       | 50                 | 34.8                      | 159.6    | 6.84     | 182.9    | 23.3 | 58.7   | 39.6               | 166.3    | 6.9      | 190.1    | 23.9 | 59.1   | 41.8   | 172.5              | 7.05     | 196.6    | 24.5 | 59.4   |  |  |
|        |          | 70                 | 51.4                      | 195.5    | 7.32     | 220.5    | 26.7 | 60.5   | 57.3               | 203.5    | 7.4      | 228.9    | 27.4 | 60.9   | 60.0   | 210.8              | 7.54     | 236.6    | 28.0 | 61.3   |  |  |
|        |          | 90                 | 68.0                      | 231.4    | 7.79     | 258.0    | 29.7 | 62.3   | 75.0               | 240.7    | 7.9      | 267.7    | 30.4 | 62.7   | 78.1   | 249.2              | 8.03     | 276.6    | 31.0 | 63.2   |  |  |
|        |          | 110                | 84.5                      | 267.4    | 8.27     | 295.6    | 32.3 | 64.1   | 92.6               | 277.9    | 8.4      | 306.6    | 33.1 | 64.6   | 96.3   | 287.5              | 8.53     | 316.6    | 33.7 | 65.1   |  |  |
| 70     | 21       | 50                 | 37.4                      | 132.6    | 9.22     | 164.1    | 14.4 | 85.6   | 41.4               | 137.8    | 9.4      | 169.8    | 14.7 | 86.2   | 43.2   | 142.6              | 9.51     | 175.0    | 15.0 | 86.7   |  |  |
|        |          | 70                 | 54.3                      | 164.6    | 9.81     | 198.1    | 16.8 | 88.9   | 59.3               | 171.1    | 10.0     | 205.1    | 17.2 | 89.5   | 61.6   | 177.0              | 10.11    | 211.5    | 17.5 | 90.1   |  |  |
|        |          | 90                 | 71.3                      | 196.6    | 10.39    | 232.1    | 18.9 | 92.1   | 77.2               | 204.4    | 10.6     | 240.4    | 19.4 | 92.9   | 79.9   | 211.4              | 10.71    | 248.0    | 19.7 | 93.6   |  |  |
|        |          | 110                | Operation not recommended |          |          |          |      |        |                    |          |          |          |      |        |        |                    |          |          |      |        |  |  |
|        | 32       | 50                 | 36.7                      | 139.2    | 8.8      | 169.3    | 15.8 | 80.6   | 40.9               | 144.9    | 9.0      | 175.5    | 16.2 | 81.0   | 42.9   | 150.1              | 9.1      | 181.1    | 16.5 | 81.3   |  |  |
|        |          | 70                 | 53.5                      | 172.9    | 9.37     | 204.9    | 18.5 | 82.8   | 58.8               | 179.9    | 9.52     | 212.4    | 18.9 | 83.3   | 61.1   | 186.2              | 9.66     | 219.2    | 19.3 | 83.7   |  |  |
|        |          | 90                 | 70.3                      | 206.7    | 9.93     | 240.5    | 20.8 | 85.0   | 76.6               | 214.9    | 10.09    | 249.3    | 21.3 | 85.6   | 79.4   | 222.4              | 10.23    | 257.3    | 21.7 | 86.1   |  |  |
|        |          | 110                | Operation not recommended |          |          |          |      |        |                    |          |          |          |      |        |        |                    |          |          |      |        |  |  |
|        | 42       | 50                 | 36.2                      | 145.2    | 8.44     | 174.0    | 17.2 | 78.3   | 40.5               | 151.4    | 8.6      | 180.7    | 17.7 | 78.6   | 42.5   | 157.0              | 8.70     | 186.7    | 18.0 | 78.9   |  |  |
|        |          | 70                 | 52.8                      | 180.5    | 8.97     | 211.1    | 20.1 | 80.1   | 58.3               | 187.9    | 9.1      | 219.0    | 20.6 | 80.4   | 60.7   | 194.7              | 9.25     | 226.2    | 21.0 | 80.8   |  |  |
|        |          | 90                 | 69.4                      | 215.8    | 9.51     | 248.2    | 22.7 | 81.8   | 76.0               | 224.5    | 9.7      | 257.4    | 23.2 | 82.3   | 78.9   | 232.3              | 9.80     | 265.8    | 23.7 | 82.7   |  |  |
|        |          | 110                | Operation not recommended |          |          |          |      |        |                    |          |          |          |      |        |        |                    |          |          |      |        |  |  |
| 90     | 21       | 50                 | 38.4                      | 122.0    | 10.96    | 159.3    | 11.1 | 105.2  | 42.1               | 126.8    | 11.1     | 164.8    | 11.4 | 105.7  | 43.8   | 131.1              | 11.30    | 169.7    | 11.6 | 106.2  |  |  |
|        |          | 70                 | 55.3                      | 154.0    | 11.60    | 193.6    | 13.3 | 108.4  | 60.0               | 160.1    | 11.79    | 200.3    | 13.6 | 109.1  | 62.1   | 165.6              | 11.96    | 206.4    | 13.8 | 109.7  |  |  |
|        |          | 90                 | 72.3                      | 186.1    | 12.24    | 227.8    | 15.2 | 111.7  | 77.9               | 193.4    | 12.44    | 235.9    | 15.5 | 112.5  | 80.5   | 200.1              | 12.62    | 243.1    | 15.8 | 113.2  |  |  |
|        |          | 110                | Operation not recommended |          |          |          |      |        |                    |          |          |          |      |        |        |                    |          |          |      |        |  |  |
|        | 32       | 50                 | 37.9                      | 126.6    | 10.5     | 162.4    | 12.1 | 100.1  | 41.8               | 131.8    | 10.6     | 168.2    | 12.4 | 100.5  | 43.5   | 136.6              | 10.8     | 173.4    | 12.6 | 100.8  |  |  |
|        |          | 70                 | 54.8                      | 160.0    | 11.09    | 197.9    | 14.4 | 102.4  | 59.6               | 166.5    | 11.27    | 205.0    | 14.8 | 102.8  | 61.8   | 172.4              | 11.43    | 211.4    | 15.1 | 103.2  |  |  |
|        |          | 90                 | 71.6                      | 193.5    | 11.71    | 233.4    | 16.5 | 104.6  | 77.4               | 201.2    | 11.90    | 241.7    | 16.9 | 105.1  | 80.1   | 208.2              | 12.07    | 249.3    | 17.2 | 105.6  |  |  |
|        |          | 110                | Operation not recommended |          |          |          |      |        |                    |          |          |          |      |        |        |                    |          |          |      |        |  |  |
|        | 42       | 50                 | 37.5                      | 130.9    | 10.04    | 165.1    | 13.0 | 97.9   | 41.5               | 136.4    | 10.2     | 171.3    | 13.4 | 98.2   | 43.3   | 141.5              | 10.35    | 176.8    | 13.7 | 98.4   |  |  |
|        |          | 70                 | 54.2                      | 165.5    | 10.63    | 201.8    | 15.6 | 99.6   | 59.2               | 172.3    | 10.80    | 209.2    | 16.0 | 100.0  | 61.5   | 178.5              | 10.96    | 215.9    | 16.3 | 100.3  |  |  |
|        |          | 90                 | 70.9                      | 200.2    | 11.22    | 238.5    | 17.8 | 101.4  | 77.0               | 208.2    | 11.40    | 247.1    | 18.3 | 101.8  | 79.7   | 215.5              | 11.57    | 255.0    | 18.6 | 102.1  |  |  |
|        |          | 110                | Operation not recommended |          |          |          |      |        |                    |          |          |          |      |        |        |                    |          |          |      |        |  |  |
| 110    | 21       | 50                 | 39.4                      | 111.3    | 12.69    | 154.6    | 8.8  | 124.7  | 42.8               | 115.7    | 12.9     | 159.7    | 9.0  | 125.2  | 44.3   | 119.7              | 13.08    | 164.3    | 9.2  | 125.7  |  |  |
|        |          | 70                 | 56.3                      | 143.4    | 13.39    | 189.1    | 10.7 | 128.0  | 60.7               | 149.1    | 13.61    | 195.5    | 11.0 | 128.6  | 62.7   | 154.2              | 13.81    | 201.3    | 11.2 | 129.2  |  |  |
|        |          | 90                 | Operation not recommended |          |          |          |      |        |                    |          |          |          |      |        |        |                    |          |          |      |        |  |  |
|        |          | 110                | Operation not recommended |          |          |          |      |        |                    |          |          |          |      |        |        |                    |          |          |      |        |  |  |
|        | 32       | 50                 | 39.1                      | 114.1    | 12.1     | 155.5    | 9.4  | 119.7  | 42.6               | 118.7    | 12.3     | 160.8    | 9.6  | 120.1  | 44.1   | 123.0              | 12.5     | 165.7    | 9.8  | 120.4  |  |  |
|        |          | 70                 | 56.0                      | 147.2    | 12.81    | 190.9    | 11.5 | 121.9  | 60.4               | 153.1    | 13.02    | 197.5    | 11.8 | 122.3  | 62.5   | 158.5              | 13.21    | 203.5    | 12.0 | 122.7  |  |  |
|        |          | 90                 | Operation not recommended |          |          |          |      |        |                    |          |          |          |      |        |        |                    |          |          |      |        |  |  |
|        |          | 110                | Operation not recommended |          |          |          |      |        |                    |          |          |          |      |        |        |                    |          |          |      |        |  |  |
|        | 42       | 50                 | 38.9                      | 116.6    | 11.64    | 156.3    | 10.0 | 117.4  | 42.4               | 121.5    | 11.8     | 161.9    | 10.3 | 117.7  | 44.0   | 126.0              | 12.00    | 166.9    | 10.5 | 117.9  |  |  |
|        |          | 70                 | 55.7                      | 150.6    | 12.29    | 192.5    | 12.3 | 119.2  | 60.2               | 156.7    | 12.49    | 199.3    | 12.6 | 119.5  | 62.3   | 162.3              | 12.67    | 205.6    | 12.8 | 119.8  |  |  |
|        |          | 90                 | Operation not recommended |          |          |          |      |        |                    |          |          |          |      |        |        |                    |          |          |      |        |  |  |
|        |          | 110                | Operation not recommended |          |          |          |      |        |                    |          |          |          |      |        |        |                    |          |          |      |        |  |  |

NOTE: For part load application, divide capacity by 2.

# YHTW150 - Performance Data

## Heating Capacity

| Source |          | Load Flow - 21 GPM |                           |          |          |          |     |        | Load Flow - 32 GPM |          |          |          |     |        |        | Load Flow - 42 GPM |          |          |     |        |  |  |
|--------|----------|--------------------|---------------------------|----------|----------|----------|-----|--------|--------------------|----------|----------|----------|-----|--------|--------|--------------------|----------|----------|-----|--------|--|--|
| EWT °F | Flow GPM | ELT °F             | LLT °F                    | HC MBTUH | Power kW | HE MBTUH | COP | LST °F | LLT °F             | HC MBTUH | Power kW | HE MBTUH | COP | LST °F | LLT °F | HC MBTUH           | Power kW | HE MBTUH | COP | LST °F |  |  |
| 30     | 32       | 60                 | 72.6                      | 132.7    | 7.7      | 106.4    | 5.0 | 19.9   | 68.4               | 133.8    | 7.6      | 107.9    | 5.2 | 23.3   | 66.4   | 134.7              | 7.4      | 109.3    | 5.3 | 24.8   |  |  |
|        |          | 80                 | 92.0                      | 126.1    | 11.0     | 88.6     | 3.4 | 21.6   | 88.0               | 127.6    | 10.8     | 90.8     | 3.5 | 24.3   | 86.1   | 128.9              | 10.6     | 92.7     | 3.6 | 25.6   |  |  |
|        |          | 100                | 111.4                     | 119.6    | 14.3     | 70.9     | 2.5 | 23.2   | 107.6              | 121.4    | 14.0     | 73.6     | 2.5 | 25.4   | 105.9  | 123.0              | 13.7     | 76.1     | 2.6 | 26.4   |  |  |
|        |          | 120                | 130.8                     | 113.0    | 17.6     | 53.1     | 1.9 | 24.9   | 127.2              | 115.2    | 17.2     | 56.5     | 2.0 | 26.5   | 125.6  | 117.1              | 16.9     | 59.6     | 2.0 | 27.2   |  |  |
|        | 42       | 60                 | 72.9                      | 135.9    | 7.8      | 109.4    | 5.1 | 19.6   | 68.6               | 137.0    | 7.6      | 111.0    | 5.3 | 23.1   | 66.6   | 138.0              | 7.5      | 112.4    | 5.4 | 24.6   |  |  |
|        |          | 80                 | 92.3                      | 129.2    | 11.1     | 91.5     | 3.4 | 21.3   | 88.2               | 130.7    | 10.9     | 93.6     | 3.5 | 24.1   | 86.3   | 132.0              | 10.7     | 95.6     | 3.6 | 25.4   |  |  |
|        |          | 100                | 111.7                     | 122.5    | 14.4     | 73.5     | 2.5 | 23.0   | 107.8              | 124.3    | 14.1     | 76.3     | 2.6 | 25.2   | 106.0  | 126.0              | 13.8     | 78.8     | 2.7 | 26.2   |  |  |
|        |          | 120                | 131.0                     | 115.8    | 17.7     | 55.5     | 1.9 | 24.7   | 127.4              | 118.0    | 17.3     | 58.9     | 2.0 | 26.3   | 125.7  | 120.0              | 17.0     | 62.0     | 2.1 | 27.0   |  |  |
| 50     | 21       | 60                 | 75.6                      | 163.4    | 8.3      | 135.3    | 5.8 | 37.1   | 70.3               | 164.7    | 8.1      | 137.1    | 6.0 | 41.4   | 67.9   | 165.9              | 8.0      | 138.7    | 6.1 | 43.4   |  |  |
|        |          | 80                 | 94.9                      | 156.0    | 11.2     | 117.8    | 4.1 | 38.8   | 89.9               | 157.8    | 11.0     | 120.3    | 4.2 | 42.5   | 87.6   | 159.4              | 10.8     | 122.6    | 4.3 | 44.2   |  |  |
|        |          | 100                | 114.2                     | 148.6    | 14.1     | 100.4    | 3.1 | 40.4   | 109.4              | 150.8    | 13.9     | 103.5    | 3.2 | 43.5   | 107.3  | 152.8              | 13.6     | 106.4    | 3.3 | 44.9   |  |  |
|        |          | 120                | 133.4                     | 141.2    | 17.1     | 82.9     | 2.4 | 42.1   | 129.0              | 143.9    | 16.7     | 86.8     | 2.5 | 44.6   | 127.0  | 146.3              | 16.4     | 90.3     | 2.6 | 45.7   |  |  |
|        | 32       | 60                 | 76.0                      | 168.0    | 8.3      | 139.6    | 5.9 | 36.7   | 70.6               | 169.3    | 8.2      | 141.4    | 6.1 | 41.2   | 68.1   | 170.5              | 8.0      | 143.1    | 6.2 | 43.2   |  |  |
|        |          | 80                 | 95.3                      | 160.3    | 11.3     | 121.8    | 4.2 | 38.4   | 90.1               | 162.1    | 11.1     | 124.4    | 4.3 | 42.2   | 87.8   | 163.8              | 10.9     | 126.7    | 4.4 | 44.0   |  |  |
|        |          | 100                | 114.5                     | 152.7    | 14.2     | 104.1    | 3.1 | 40.1   | 109.7              | 155.0    | 14.0     | 107.3    | 3.3 | 43.3   | 107.5  | 157.1              | 13.7     | 110.3    | 3.4 | 44.7   |  |  |
|        |          | 120                | 133.8                     | 145.1    | 17.2     | 86.4     | 2.5 | 41.8   | 129.2              | 147.8    | 16.9     | 90.3     | 2.6 | 44.4   | 127.2  | 150.3              | 16.5     | 93.9     | 2.7 | 45.5   |  |  |
|        | 42       | 60                 | 76.4                      | 172.0    | 8.4      | 143.4    | 6.0 | 36.3   | 70.8               | 173.4    | 8.2      | 145.3    | 6.2 | 40.9   | 68.3   | 174.7              | 8.1      | 147.0    | 6.3 | 43.0   |  |  |
|        |          | 80                 | 95.6                      | 164.2    | 11.4     | 125.5    | 4.2 | 38.1   | 90.4               | 166.1    | 11.2     | 128.0    | 4.4 | 42.0   | 88.0   | 167.8              | 11.0     | 130.4    | 4.5 | 43.8   |  |  |
|        |          | 100                | 114.9                     | 156.4    | 14.4     | 107.5    | 3.2 | 39.8   | 109.9              | 158.8    | 14.1     | 110.8    | 3.3 | 43.1   | 107.7  | 160.9              | 13.8     | 113.8    | 3.4 | 44.6   |  |  |
|        |          | 120                | 134.2                     | 148.6    | 17.3     | 89.5     | 2.5 | 41.5   | 129.5              | 151.4    | 17.0     | 93.5     | 2.6 | 44.2   | 127.3  | 154.0              | 16.7     | 97.1     | 2.7 | 45.4   |  |  |
| 70     | 21       | 60                 | 78.8                      | 197.8    | 8.9      | 167.5    | 6.5 | 54.0   | 72.5               | 199.3    | 8.7      | 169.6    | 6.7 | 59.4   | 69.6   | 200.8              | 8.6      | 171.5    | 6.9 | 61.8   |  |  |
|        |          | 80                 | 98.0                      | 189.3    | 11.5     | 150.1    | 4.8 | 55.7   | 92.0               | 191.4    | 11.3     | 153.0    | 5.0 | 60.4   | 89.2   | 193.4              | 11.1     | 155.6    | 5.1 | 62.6   |  |  |
|        |          | 100                | 117.2                     | 180.8    | 14.1     | 132.7    | 3.8 | 57.4   | 111.5              | 183.5    | 13.8     | 136.3    | 3.9 | 61.5   | 108.9  | 186.0              | 13.6     | 139.6    | 4.0 | 63.4   |  |  |
|        |          | 120                | 136.4                     | 172.3    | 16.7     | 115.3    | 3.0 | 59.0   | 131.0              | 175.6    | 16.4     | 119.7    | 3.1 | 62.5   | 128.5  | 178.6              | 16.1     | 123.7    | 3.3 | 64.1   |  |  |
|        | 32       | 60                 | 79.4                      | 203.2    | 8.9      | 172.7    | 6.7 | 53.6   | 72.8               | 204.8    | 8.8      | 174.9    | 6.8 | 59.1   | 69.8   | 206.3              | 8.6      | 176.8    | 7.0 | 61.6   |  |  |
|        |          | 80                 | 98.5                      | 194.5    | 11.6     | 155.0    | 4.9 | 55.2   | 92.3               | 196.7    | 11.4     | 157.9    | 5.1 | 60.1   | 89.5   | 198.7              | 11.2     | 160.6    | 5.2 | 62.4   |  |  |
|        |          | 100                | 117.7                     | 185.8    | 14.2     | 137.3    | 3.8 | 56.9   | 111.8              | 188.6    | 13.9     | 141.0    | 4.0 | 61.2   | 109.1  | 191.1              | 13.7     | 144.4    | 4.1 | 63.1   |  |  |
|        |          | 120                | 136.9                     | 177.1    | 16.9     | 119.6    | 3.1 | 58.6   | 131.3              | 180.5    | 16.5     | 124.1    | 3.2 | 62.2   | 128.7  | 183.5              | 16.2     | 128.2    | 3.3 | 63.9   |  |  |
|        | 42       | 60                 | 79.8                      | 208.2    | 9.0      | 177.4    | 6.8 | 53.1   | 73.1               | 209.8    | 8.8      | 179.6    | 7.0 | 58.8   | 70.1   | 211.3              | 8.7      | 181.6    | 7.1 | 61.4   |  |  |
|        |          | 80                 | 99.0                      | 199.2    | 11.7     | 159.4    | 5.0 | 54.8   | 92.6               | 201.5    | 11.4     | 162.5    | 5.2 | 59.8   | 89.7   | 203.6              | 11.2     | 165.2    | 5.3 | 62.1   |  |  |
|        |          | 100                | 118.1                     | 190.3    | 14.3     | 141.5    | 3.9 | 56.5   | 112.1              | 193.2    | 14.0     | 145.3    | 4.0 | 60.9   | 109.3  | 195.8              | 13.8     | 148.7    | 4.2 | 62.9   |  |  |
|        |          | 120                | 137.3                     | 181.4    | 17.0     | 123.5    | 3.1 | 58.2   | 131.6              | 184.9    | 16.6     | 128.1    | 3.3 | 62.0   | 129.0  | 188.0              | 16.3     | 132.3    | 3.4 | 63.7   |  |  |
| 90     | 21       | 60                 | 82.1                      | 232.1    | 9.5      | 199.7    | 7.2 | 71.0   | 74.6               | 233.9    | 9.3      | 202.1    | 7.4 | 77.4   | 71.2   | 235.6              | 9.2      | 204.3    | 7.5 | 80.3   |  |  |
|        |          | 80                 | 101.2                     | 222.6    | 11.8     | 182.3    | 5.5 | 72.6   | 94.1               | 225.1    | 11.6     | 185.6    | 5.7 | 78.4   | 90.8   | 227.4              | 11.4     | 188.6    | 5.9 | 81.0   |  |  |
|        |          | 100                |                           |          |          |          |     |        |                    |          |          |          |     |        |        |                    |          |          |     |        |  |  |
|        |          | 120                | Operation not recommended |          |          |          |     |        |                    |          |          |          |     |        |        |                    |          |          |     |        |  |  |
|        | 32       | 60                 | 82.7                      | 238.5    | 9.6      | 205.9    | 7.3 | 70.4   | 75.0               | 240.4    | 9.4      | 208.3    | 7.5 | 77.0   | 71.5   | 242.1              | 9.2      | 210.6    | 7.7 | 80.0   |  |  |
|        |          | 80                 | 101.8                     | 228.7    | 11.9     | 188.2    | 5.6 | 72.1   | 94.5               | 231.3    | 11.7     | 191.5    | 5.8 | 78.0   | 91.1   | 233.6              | 11.5     | 194.6    | 6.0 | 80.7   |  |  |
|        |          | 100                |                           |          |          |          |     |        |                    |          |          |          |     |        |        |                    |          |          |     |        |  |  |
|        |          | 120                | Operation not recommended |          |          |          |     |        |                    |          |          |          |     |        |        |                    |          |          |     |        |  |  |
|        | 42       | 60                 | 83.3                      | 244.3    | 9.6      | 211.4    | 7.4 | 69.9   | 75.4               | 246.2    | 9.5      | 214.0    | 7.6 | 76.6   | 71.8   | 248.0              | 9.3      | 216.3    | 7.8 | 79.7   |  |  |
|        |          | 80                 | 102.3                     | 234.3    | 12.0     | 193.4    | 5.7 | 71.6   | 94.8               | 236.9    | 11.7     | 196.9    | 5.9 | 77.7   | 91.4   | 239.3              | 11.5     | 200.0    | 6.1 | 80.5   |  |  |
|        |          | 100                |                           |          |          |          |     |        |                    |          |          |          |     |        |        |                    |          |          |     |        |  |  |
|        |          | 120                | Operation not recommended |          |          |          |     |        |                    |          |          |          |     |        |        |                    |          |          |     |        |  |  |

NOTE: For part load application, divide capacity by 2.

3/7/13

# YHTW180 - Performance Data

## Cooling Capacity

| Source |          | Load Flow - 24 GPM |                           |          |          |          |      |        | Load Flow - 36 GPM |          |          |          |      |        |        | Load Flow - 48 GPM |          |          |      |        |  |  |
|--------|----------|--------------------|---------------------------|----------|----------|----------|------|--------|--------------------|----------|----------|----------|------|--------|--------|--------------------|----------|----------|------|--------|--|--|
| EST °F | Flow GPM | ELT °F             | LLT °F                    | TC MBTUH | Power kW | HR MBTUH | EER  | LST °F | LLT °F             | TC MBTUH | Power kW | HR MBTUH | EER  | LST °F | LLT °F | TC MBTUH           | Power kW | HR MBTUH | EER  | LST °F |  |  |
| 30     | 24       | 50                 | 35.5                      | 173.5    | 6.83     | 196.8    | 25.4 | 46.4   | 40.0               | 180.0    | 6.9      | 203.7    | 26.0 | 47.0   | 42.2   | 186.6              | 7.04     | 210.6    | 26.5 | 47.5   |  |  |
|        |          | 70                 | 52.4                      | 211.1    | 7.58     | 237.0    | 27.9 | 49.7   | 57.8               | 219.1    | 7.7      | 245.3    | 28.5 | 50.4   | 60.5   | 227.0              | 7.81     | 253.7    | 29.1 | 51.1   |  |  |
|        |          | 90                 | 69.3                      | 248.8    | 8.32     | 277.2    | 29.9 | 53.1   | 75.7               | 258.2    | 8.5      | 287.0    | 30.5 | 53.9   | 78.9   | 267.5              | 8.58     | 296.8    | 31.2 | 54.7   |  |  |
|        |          | 110                | 86.1                      | 286.4    | 9.07     | 317.4    | 31.6 | 56.4   | 93.5               | 297.2    | 9.2      | 328.6    | 32.3 | 57.4   | 97.2   | 308.0              | 9.35     | 339.9    | 32.9 | 58.3   |  |  |
|        | 36       | 50                 | 34.6                      | 184.8    | 6.5      | 207.0    | 28.4 | 41.5   | 39.3               | 192.0    | 6.6      | 214.6    | 29.0 | 41.9   | 41.7   | 199.3              | 6.7      | 222.2    | 29.7 | 42.3   |  |  |
|        |          | 70                 | 51.2                      | 225.2    | 7.23     | 249.9    | 31.1 | 43.9   | 57.0               | 233.9    | 7.3      | 258.9    | 31.8 | 44.4   | 59.9   | 242.5              | 7.46     | 268.0    | 32.5 | 44.9   |  |  |
|        |          | 90                 | 67.9                      | 265.6    | 7.94     | 292.7    | 33.4 | 46.3   | 74.7               | 275.7    | 8.1      | 303.2    | 34.2 | 46.8   | 78.1   | 285.8              | 8.19     | 313.7    | 34.9 | 47.4   |  |  |
|        |          | 110                | 84.5                      | 306.0    | 8.7      | 335.5    | 35.3 | 48.6   | 92.4               | 317.5    | 8.8      | 347.5    | 36.1 | 49.3   | 96.3   | 329.0              | 8.9      | 359.5    | 36.9 | 50.0   |  |  |
|        | 48       | 50                 | 33.7                      | 196.1    | 6.21     | 217.3    | 31.6 | 39.1   | 38.7               | 204.1    | 6.3      | 225.6    | 32.4 | 39.4   | 41.2   | 212.0              | 6.40     | 233.8    | 33.1 | 39.7   |  |  |
|        |          | 70                 | 50.1                      | 239.2    | 6.89     | 262.7    | 34.7 | 40.9   | 56.2               | 248.6    | 7.0      | 272.5    | 35.5 | 41.4   | 59.3   | 258.0              | 7.10     | 282.2    | 36.3 | 41.8   |  |  |
|        |          | 90                 | 66.5                      | 282.4    | 7.57     | 308.2    | 37.3 | 42.8   | 73.7               | 293.2    | 7.7      | 319.4    | 38.2 | 43.3   | 77.3   | 304.0              | 7.80     | 330.6    | 39.0 | 43.8   |  |  |
|        |          | 110                | 82.9                      | 325.5    | 8.25     | 353.6    | 39.5 | 44.7   | 91.2               | 337.8    | 8.4      | 366.3    | 40.3 | 45.3   | 95.4   | 350.0              | 8.50     | 379.0    | 41.2 | 45.8   |  |  |
| 50     | 24       | 50                 | 36.5                      | 162.2    | 9.03     | 193.0    | 18.0 | 66.1   | 40.6               | 168.3    | 9.2      | 199.6    | 18.3 | 66.6   | 42.7   | 174.4              | 9.31     | 206.2    | 18.7 | 67.2   |  |  |
|        |          | 70                 | 53.7                      | 195.9    | 9.83     | 229.5    | 19.9 | 69.1   | 58.7               | 203.3    | 10.0     | 237.4    | 20.4 | 69.8   | 61.2   | 210.7              | 10.14    | 245.3    | 20.8 | 70.4   |  |  |
|        |          | 90                 | 70.9                      | 229.7    | 10.63    | 265.9    | 21.6 | 72.2   | 76.8               | 238.3    | 10.8     | 275.2    | 22.1 | 72.9   | 79.7   | 247.0              | 10.96    | 284.4    | 22.5 | 73.7   |  |  |
|        |          | 110                | 88.0                      | 263.4    | 11.43    | 302.4    | 23.1 | 75.2   | 94.8               | 273.3    | 11.6     | 312.9    | 23.6 | 76.1   | 98.2   | 283.3              | 11.78    | 323.4    | 24.0 | 77.0   |  |  |
|        | 36       | 50                 | 35.7                      | 171.4    | 8.6      | 200.9    | 19.8 | 61.2   | 40.1               | 178.1    | 8.8      | 208.1    | 20.3 | 61.6   | 42.3   | 184.9              | 8.9      | 215.2    | 20.8 | 62.0   |  |  |
|        |          | 70                 | 52.7                      | 207.4    | 9.40     | 239.5    | 22.1 | 63.3   | 58.0               | 215.4    | 9.5      | 248.0    | 22.6 | 63.8   | 60.7   | 223.4              | 9.69     | 256.4    | 23.0 | 64.2   |  |  |
|        |          | 90                 | 69.7                      | 243.4    | 10.16    | 278.1    | 23.9 | 65.4   | 76.0               | 252.6    | 10.3     | 287.8    | 24.5 | 66.0   | 79.1   | 261.9              | 10.48    | 297.6    | 25.0 | 66.5   |  |  |
|        |          | 110                | 86.7                      | 279.3    | 10.9     | 316.6    | 25.6 | 67.6   | 93.9               | 289.9    | 11.1     | 327.7    | 26.1 | 68.2   | 97.5   | 300.4              | 11.3     | 338.8    | 26.7 | 68.8   |  |  |
|        | 48       | 50                 | 34.9                      | 180.7    | 8.25     | 208.8    | 21.9 | 58.7   | 39.6               | 188.0    | 8.4      | 216.5    | 22.5 | 59.0   | 41.9   | 195.3              | 8.50     | 224.3    | 23.0 | 59.3   |  |  |
|        |          | 70                 | 51.8                      | 218.9    | 8.97     | 249.5    | 24.4 | 60.4   | 57.4               | 227.4    | 9.1      | 258.5    | 25.0 | 60.8   | 60.2   | 236.0              | 9.25     | 267.6    | 25.5 | 61.1   |  |  |
|        |          | 90                 | 68.6                      | 257.1    | 9.70     | 290.2    | 26.5 | 62.1   | 75.2               | 266.9    | 9.9      | 300.5    | 27.1 | 62.5   | 78.5   | 276.8              | 10.00    | 310.9    | 27.7 | 63.0   |  |  |
|        |          | 110                | 85.4                      | 295.3    | 10.43    | 330.9    | 28.3 | 63.8   | 93.0               | 306.4    | 10.6     | 342.5    | 28.9 | 64.3   | 96.8   | 317.5              | 10.75    | 354.2    | 29.5 | 64.8   |  |  |
| 70     | 24       | 50                 | 37.4                      | 150.9    | 11.24    | 189.2    | 13.4 | 85.8   | 41.3               | 156.6    | 11.4     | 195.5    | 13.7 | 86.3   | 43.2   | 162.3              | 11.59    | 201.8    | 14.0 | 86.8   |  |  |
|        |          | 70                 | 54.9                      | 180.7    | 12.09    | 222.0    | 15.0 | 88.5   | 59.6               | 187.5    | 12.3     | 229.4    | 15.3 | 89.1   | 61.9   | 194.3              | 12.46    | 236.9    | 15.6 | 89.7   |  |  |
|        |          | 90                 | 72.5                      | 210.6    | 12.94    | 254.7    | 16.3 | 91.2   | 77.9               | 218.5    | 13.1     | 263.3    | 16.6 | 91.9   | 80.6   | 226.4              | 13.34    | 271.9    | 17.0 | 92.7   |  |  |
|        |          | 110                | Operation not recommended |          |          |          |      |        |                    |          |          |          |      |        |        |                    |          |          |      |        |  |  |
|        | 36       | 50                 | 36.8                      | 158.0    | 10.8     | 194.8    | 14.7 | 80.8   | 40.9               | 164.2    | 10.9     | 201.5    | 15.0 | 81.2   | 42.9   | 170.4              | 11.1     | 208.3    | 15.4 | 81.6   |  |  |
|        |          | 70                 | 54.2                      | 189.6    | 11.57    | 229.1    | 16.4 | 82.7   | 59.1               | 196.9    | 11.75    | 237.0    | 16.8 | 83.2   | 61.5   | 204.2              | 11.93    | 244.9    | 17.1 | 83.6   |  |  |
|        |          | 90                 | 71.6                      | 221.2    | 12.39    | 263.4    | 17.9 | 84.6   | 77.2               | 229.6    | 12.58    | 272.5    | 18.3 | 85.1   | 80.1   | 238.0              | 12.77    | 281.5    | 18.6 | 85.6   |  |  |
|        |          | 110                | Operation not recommended |          |          |          |      |        |                    |          |          |          |      |        |        |                    |          |          |      |        |  |  |
|        | 48       | 50                 | 36.2                      | 165.2    | 10.28    | 200.3    | 16.1 | 78.3   | 40.4               | 171.9    | 10.4     | 207.5    | 16.5 | 78.6   | 42.6   | 178.6              | 10.60    | 214.8    | 16.8 | 78.9   |  |  |
|        |          | 70                 | 53.5                      | 198.5    | 11.06    | 236.2    | 17.9 | 79.8   | 58.5               | 206.3    | 11.2     | 244.6    | 18.4 | 80.2   | 61.1   | 214.1              | 11.40    | 253.0    | 18.8 | 80.5   |  |  |
|        |          | 90                 | 70.7                      | 231.8    | 11.83    | 272.1    | 19.6 | 81.3   | 76.6               | 240.7    | 12.0     | 281.7    | 20.0 | 81.7   | 79.6   | 249.5              | 12.20    | 291.2    | 20.5 | 82.1   |  |  |
|        |          | 110                | Operation not recommended |          |          |          |      |        |                    |          |          |          |      |        |        |                    |          |          |      |        |  |  |
| 90     | 24       | 50                 | 38.4                      | 139.6    | 13.44    | 185.5    | 10.4 | 105.5  | 42.0               | 144.8    | 13.7     | 191.4    | 10.6 | 106.0  | 43.7   | 150.1              | 13.86    | 197.4    | 10.8 | 106.4  |  |  |
|        |          | 70                 | 56.2                      | 165.5    | 14.34    | 214.5    | 11.5 | 107.9  | 60.5               | 171.8    | 14.57    | 221.4    | 11.8 | 108.5  | 62.6   | 178.0              | 14.79    | 228.4    | 12.0 | 109.0  |  |  |
|        |          | 90                 | 74.0                      | 191.5    | 15.24    | 243.5    | 12.6 | 110.3  | 79.0               | 198.7    | 15.48    | 251.5    | 12.8 | 111.0  | 81.4   | 205.9              | 15.72    | 259.5    | 13.1 | 111.6  |  |  |
|        |          | 110                | Operation not recommended |          |          |          |      |        |                    |          |          |          |      |        |        |                    |          |          |      |        |  |  |
|        | 36       | 50                 | 37.9                      | 144.7    | 12.9     | 188.6    | 11.2 | 100.5  | 41.6               | 150.3    | 13.1     | 195.0    | 11.5 | 100.8  | 43.5   | 156.0              | 13.3     | 201.3    | 11.7 | 101.2  |  |  |
|        |          | 70                 | 55.7                      | 171.8    | 13.74    | 218.7    | 12.5 | 102.2  | 60.1               | 178.4    | 13.96    | 226.0    | 12.8 | 102.6  | 62.3   | 185.0              | 14.17    | 233.4    | 13.1 | 103.0  |  |  |
|        |          | 90                 | 73.4                      | 199.0    | 14.61    | 248.8    | 13.6 | 103.8  | 78.5               | 206.5    | 14.83    | 257.1    | 13.9 | 104.3  | 81.1   | 214.1              | 15.06    | 265.5    | 14.2 | 104.7  |  |  |
|        |          | 110                | Operation not recommended |          |          |          |      |        |                    |          |          |          |      |        |        |                    |          |          |      |        |  |  |
|        | 48       | 50                 | 37.5                      | 149.8    | 12.32    | 191.8    | 12.2 | 98.0   | 41.3               | 155.8    | 12.5     | 198.5    | 12.5 | 98.3   | 43.3   | 161.9              | 12.70    | 205.2    | 12.7 | 98.6   |  |  |
|        |          | 70                 | 55.2                      | 178.1    | 13.14    | 223.0    | 13.6 | 99.3   | 59.7               | 185.1    | 13.35    | 230.6    | 13.9 | 99.6   | 62.0   | 192.1              | 13.55    | 238.3    | 14.2 | 99.9   |  |  |
|        |          | 90                 | 72.8                      | 206.5    | 13.97    | 254.1    | 14.8 | 100.6  | 78.1               | 214.4    | 14.18    | 262.8    | 15.1 | 100.9  | 80.7   | 222.3              | 14.40    | 271.4    | 15.4 | 101.3  |  |  |
|        |          | 110                | Operation not recommended |          |          |          |      |        |                    |          |          |          |      |        |        |                    |          |          |      |        |  |  |
| 110    | 24       | 50                 | 39.3                      | 128.3    | 15.65    | 181.7    | 8.2  | 125.1  | 42.6               | 133.1    | 15.9     | 187.3    | 8.4  | 125.6  | 44.3   | 137.9              | 16.13    | 193.0    | 8.6  | 126.1  |  |  |
|        |          | 70                 | 57.5                      | 150.3    | 16.60    | 207.0    | 9.1  | 127.2  | 61.3               | 156.0    | 16.86    | 213.5    | 9.3  | 127.8  | 63.3   | 161.6              | 17.11    | 220.0    | 9.4  | 128.3  |  |  |
|        |          | 90                 | Operation not recommended |          |          |          |      |        |                    |          |          |          |      |        |        |                    |          |          |      |        |  |  |
|        |          | 110                | Operation not recommended |          |          |          |      |        |                    |          |          |          |      |        |        |                    |          |          |      |        |  |  |
|        | 36       | 50                 | 39.1                      | 131.3    | 15.0     | 182.5    | 8.8  | 120.1  | 42.4               | 136.4    | 15.2     | 188.4    | 9.0  | 120.5  | 44.1   | 141.6              | 15.5     | 194.3    | 9.2  | 120.8  |  |  |
|        |          | 70                 | 57.2                      | 154.0    | 15.91    | 208.3    | 9.7  | 121.6  | 61.1               | 160.0    | 16.16    | 215.1    | 9.9  | 121.9  | 63.1   | 165.9              | 16.41    | 221.9    | 10.1 | 122.3  |  |  |
|        |          | 90                 | Operation not recommended |          |          |          |      |        |                    |          |          |          |      |        |        |                    |          |          |      |        |  |  |
|        |          | 110                | Operation not recommended |          |          |          |      |        |                    |          |          |          |      |        |        |                    |          |          |      |        |  |  |
|        | 48       | 50                 | 38.8                      | 134.3    | 14.36    | 183.3    | 9.4  | 117.6  | 42.2               | 139.8    | 14.6     | 189.5    | 9.6  | 117.9  | 44.0   | 145.2              | 14.80    | 195.7    | 9.8  | 118.2  |  |  |
|        |          | 70                 | 56.9                      | 157.7    | 15.23    | 209.7    | 10.4 | 118.7  | 60.9               | 163.9    | 15.46    | 216.7    | 10.6 | 119.0  | 62.9   | 170.1              | 15.70    | 223.7    | 10.8 | 119.3  |  |  |
|        |          | 90                 | Operation not recommended |          |          |          |      |        |                    |          |          |          |      |        |        |                    |          |          |      |        |  |  |
|        |          | 110                | Operation not recommended |          |          |          |      |        |                    |          |          |          |      |        |        |                    |          |          |      |        |  |  |

NOTE: For part load application, divide capacity by 2.

# YHTW180 - Performance Data

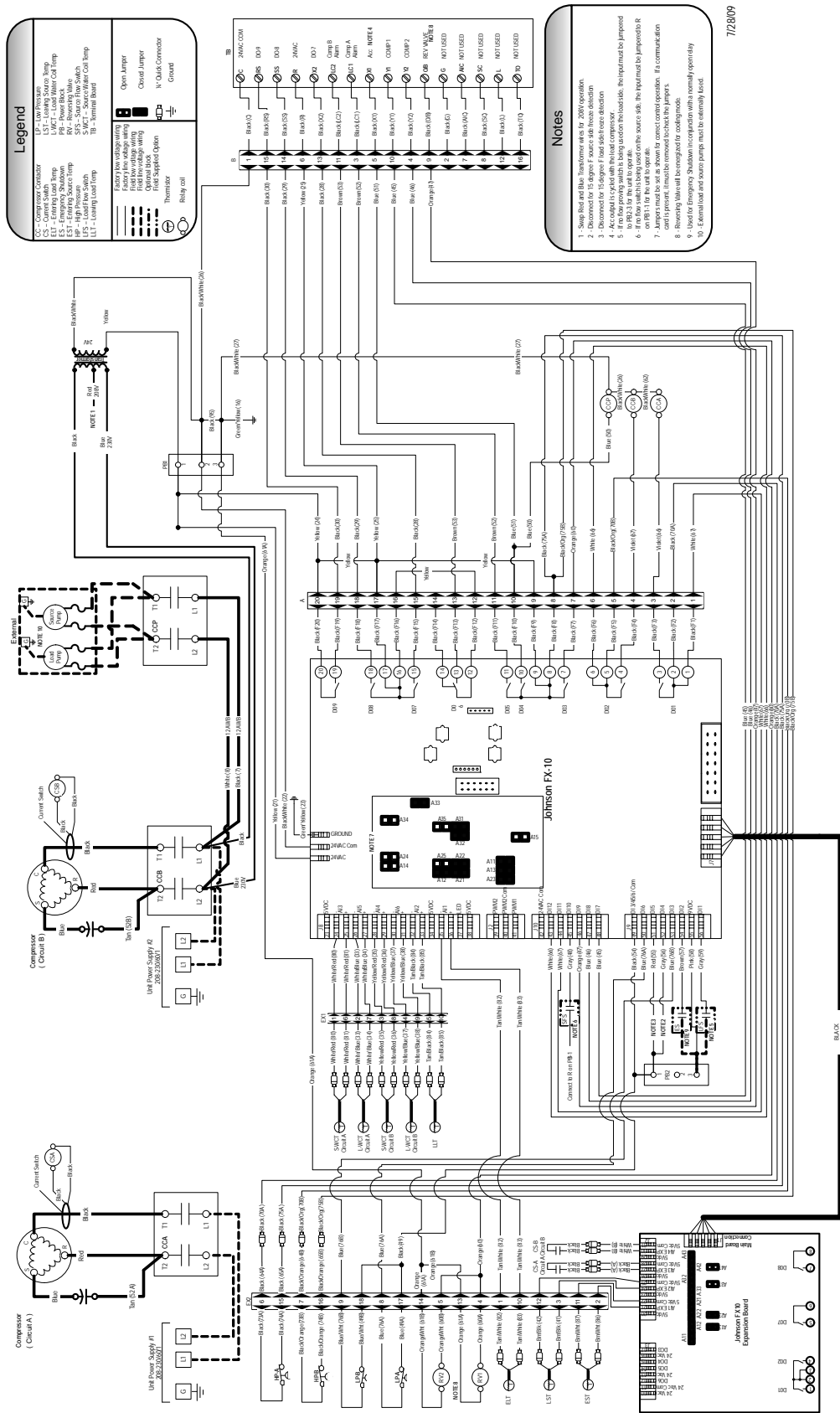
## Heating Capacity

| Source |          | Load Flow - 24 GPM |                           |          |          |          |     |        | Load Flow - 36 GPM |          |          |          |     |        |        | Load Flow - 48 GPM |          |          |     |        |  |  |
|--------|----------|--------------------|---------------------------|----------|----------|----------|-----|--------|--------------------|----------|----------|----------|-----|--------|--------|--------------------|----------|----------|-----|--------|--|--|
| EWT °F | Flow GPM | ELT °F             | LLT °F                    | HC MBTUH | Power kW | HE MBTUH | COP | LST °F | LLT °F             | HC MBTUH | Power kW | HE MBTUH | COP | LST °F | LLT °F | HC MBTUH           | Power kW | HE MBTUH | COP | LST °F |  |  |
| 30     | 36       | 60                 | 72.7                      | 152.0    | 9.7      | 119.1    | 4.6 | 20.1   | 68.5               | 153.2    | 9.5      | 120.8    | 4.7 | 23.3   | 66.4   | 154.3              | 9.3      | 122.5    | 4.8 | 24.9   |  |  |
|        |          | 80                 | 92.0                      | 143.7    | 12.6     | 100.6    | 3.3 | 21.6   | 88.1               | 145.2    | 12.4     | 102.9    | 3.4 | 24.3   | 86.1   | 146.8              | 12.2     | 105.2    | 3.5 | 25.6   |  |  |
|        |          | 100                | 111.3                     | 135.4    | 15.6     | 82.1     | 2.5 | 23.2   | 107.6              | 137.3    | 15.3     | 85.0     | 2.6 | 25.3   | 105.8  | 139.2              | 15.0     | 87.9     | 2.7 | 26.3   |  |  |
|        |          | 120                | 130.6                     | 127.0    | 18.6     | 63.6     | 2.0 | 24.7   | 127.2              | 129.3    | 18.2     | 67.1     | 2.1 | 26.3   | 125.5  | 131.6              | 17.9     | 70.7     | 2.2 | 27.1   |  |  |
|        | 48       | 60                 | 73.0                      | 155.9    | 9.7      | 122.7    | 4.7 | 19.8   | 68.7               | 157.1    | 9.6      | 124.5    | 4.8 | 23.1   | 66.6   | 158.3              | 9.4      | 126.2    | 4.9 | 24.7   |  |  |
|        |          | 80                 | 92.3                      | 147.4    | 12.7     | 104.0    | 3.4 | 21.3   | 88.3               | 149.0    | 12.5     | 106.3    | 3.5 | 24.1   | 86.3   | 150.5              | 12.3     | 108.7    | 3.6 | 25.5   |  |  |
|        |          | 100                | 111.6                     | 138.8    | 15.7     | 85.2     | 2.6 | 22.9   | 107.8              | 140.8    | 15.4     | 88.2     | 2.7 | 25.1   | 105.9  | 142.8              | 15.1     | 91.1     | 2.8 | 26.2   |  |  |
|        |          | 120                | 130.9                     | 130.3    | 18.7     | 66.4     | 2.0 | 24.5   | 127.4              | 132.6    | 18.4     | 70.0     | 2.1 | 26.1   | 125.6  | 135.0              | 18.0     | 73.6     | 2.2 | 26.9   |  |  |
| 50     | 24       | 60                 | 75.6                      | 187.3    | 10.1     | 152.8    | 5.4 | 37.3   | 70.5               | 188.8    | 10.0     | 154.8    | 5.6 | 41.4   | 67.9   | 190.2              | 9.8      | 156.8    | 5.7 | 43.5   |  |  |
|        |          | 80                 | 94.8                      | 177.3    | 13.1     | 132.6    | 4.0 | 39.0   | 90.0               | 179.3    | 12.9     | 135.3    | 4.1 | 42.5   | 87.5   | 181.2              | 12.7     | 138.0    | 4.2 | 44.3   |  |  |
|        |          | 100                | 113.9                     | 167.4    | 16.1     | 112.3    | 3.0 | 40.6   | 109.4              | 169.7    | 15.8     | 115.8    | 3.1 | 43.6   | 107.2  | 172.1              | 15.5     | 119.2    | 3.3 | 45.0   |  |  |
|        |          | 120                | 133.1                     | 157.4    | 19.1     | 92.1     | 2.4 | 42.3   | 128.9              | 160.2    | 18.8     | 96.2     | 2.5 | 44.7   | 126.8  | 163.1              | 18.4     | 100.3    | 2.6 | 45.8   |  |  |
|        | 36       | 60                 | 76.0                      | 192.3    | 10.2     | 157.5    | 5.5 | 36.9   | 70.8               | 193.7    | 10.0     | 159.5    | 5.7 | 41.1   | 68.1   | 195.2              | 9.9      | 161.6    | 5.8 | 43.3   |  |  |
|        |          | 80                 | 95.2                      | 182.0    | 13.2     | 136.9    | 4.0 | 38.6   | 90.2               | 184.0    | 13.0     | 139.7    | 4.2 | 42.2   | 87.7   | 185.9              | 12.7     | 142.4    | 4.3 | 44.1   |  |  |
|        |          | 100                | 114.3                     | 171.8    | 16.2     | 116.3    | 3.1 | 40.3   | 109.7              | 174.2    | 15.9     | 119.8    | 3.2 | 43.3   | 107.4  | 176.6              | 15.6     | 123.3    | 3.3 | 44.9   |  |  |
|        |          | 120                | 133.5                     | 161.5    | 19.3     | 95.8     | 2.5 | 42.0   | 129.1              | 164.4    | 18.9     | 100.0    | 2.6 | 44.4   | 127.0  | 167.4              | 18.5     | 104.2    | 2.6 | 45.7   |  |  |
|        | 48       | 60                 | 76.4                      | 197.2    | 10.3     | 162.1    | 5.6 | 36.5   | 71.0               | 198.7    | 10.1     | 164.2    | 5.8 | 40.9   | 68.3   | 200.2              | 9.9      | 166.3    | 5.9 | 43.1   |  |  |
|        |          | 80                 | 95.6                      | 186.7    | 13.3     | 141.2    | 4.1 | 38.2   | 90.5               | 188.7    | 13.1     | 144.0    | 4.2 | 42.0   | 87.9   | 190.7              | 12.8     | 146.9    | 4.4 | 43.9   |  |  |
|        |          | 100                | 114.7                     | 176.2    | 16.4     | 120.3    | 3.2 | 40.0   | 109.9              | 178.7    | 16.1     | 123.9    | 3.3 | 43.1   | 107.5  | 181.2              | 15.8     | 127.4    | 3.4 | 44.7   |  |  |
|        |          | 120                | 133.8                     | 165.7    | 19.4     | 99.4     | 2.5 | 41.7   | 129.4              | 168.7    | 19.0     | 103.7    | 2.6 | 44.2   | 127.2  | 171.7              | 18.7     | 108.0    | 2.7 | 45.5   |  |  |
| 70     | 24       | 60                 | 78.9                      | 226.5    | 10.7     | 190.1    | 6.2 | 54.2   | 72.7               | 228.3    | 10.5     | 192.5    | 6.4 | 59.3   | 69.6   | 230.0              | 10.3     | 194.8    | 6.5 | 61.9   |  |  |
|        |          | 80                 | 97.9                      | 214.7    | 13.7     | 167.9    | 4.6 | 56.0   | 92.1               | 217.0    | 13.5     | 171.0    | 4.7 | 60.5   | 89.1   | 219.3              | 13.2     | 174.2    | 4.9 | 62.7   |  |  |
|        |          | 100                | 116.9                     | 202.8    | 16.8     | 145.7    | 3.5 | 57.9   | 111.4              | 205.7    | 16.4     | 149.6    | 3.7 | 61.7   | 108.7  | 208.6              | 16.1     | 153.6    | 3.8 | 63.6   |  |  |
|        |          | 120                | 135.9                     | 191.0    | 19.8     | 123.4    | 2.8 | 59.7   | 130.8              | 194.5    | 19.4     | 128.2    | 2.9 | 62.9   | 128.2  | 197.9              | 19.0     | 132.9    | 3.0 | 64.5   |  |  |
|        | 36       | 60                 | 79.4                      | 232.5    | 10.8     | 195.8    | 6.3 | 53.7   | 73.0               | 234.3    | 10.6     | 198.2    | 6.5 | 59.0   | 69.8   | 236.0              | 10.4     | 200.6    | 6.7 | 61.6   |  |  |
|        |          | 80                 | 98.4                      | 220.3    | 13.8     | 173.2    | 4.7 | 55.6   | 92.4               | 222.7    | 13.6     | 176.4    | 4.8 | 60.2   | 89.4   | 225.1              | 13.3     | 179.6    | 5.0 | 62.5   |  |  |
|        |          | 100                | 117.3                     | 208.2    | 16.9     | 150.6    | 3.6 | 57.5   | 111.7              | 211.1    | 16.6     | 154.6    | 3.7 | 61.4   | 108.9  | 214.1              | 16.3     | 158.6    | 3.9 | 63.4   |  |  |
|        |          | 120                | 136.3                     | 196.0    | 20.0     | 127.9    | 2.9 | 59.3   | 131.1              | 199.6    | 19.6     | 132.8    | 3.0 | 62.6   | 128.5  | 203.1              | 19.2     | 137.7    | 3.1 | 64.3   |  |  |
|        | 48       | 60                 | 79.9                      | 238.5    | 10.8     | 201.5    | 6.5 | 53.2   | 73.3               | 240.3    | 10.6     | 203.9    | 6.6 | 58.7   | 70.1   | 242.1              | 10.5     | 206.4    | 6.8 | 61.4   |  |  |
|        |          | 80                 | 98.8                      | 226.0    | 13.9     | 178.5    | 4.8 | 55.1   | 92.7               | 228.4    | 13.7     | 181.8    | 4.9 | 59.9   | 89.6   | 230.8              | 13.4     | 185.0    | 5.0 | 62.3   |  |  |
|        |          | 100                | 117.8                     | 213.5    | 17.0     | 155.5    | 3.7 | 57.0   | 112.0              | 216.6    | 16.7     | 159.6    | 3.8 | 61.1   | 109.1  | 219.6              | 16.4     | 163.7    | 3.9 | 63.2   |  |  |
|        |          | 120                | 136.8                     | 201.0    | 20.1     | 132.4    | 2.9 | 59.0   | 131.4              | 204.7    | 19.7     | 137.4    | 3.0 | 62.4   | 128.7  | 208.3              | 19.3     | 142.4    | 3.2 | 64.1   |  |  |
| 90     | 24       | 60                 | 82.1                      | 265.8    | 11.2     | 227.5    | 6.9 | 71.0   | 74.9               | 267.8    | 11.0     | 230.2    | 7.1 | 77.2   | 71.2   | 269.8              | 10.8     | 232.8    | 7.3 | 80.3   |  |  |
|        |          | 80                 | 101.0                     | 252.0    | 14.3     | 203.2    | 5.2 | 73.1   | 94.2               | 254.7    | 14.0     | 206.8    | 5.3 | 78.5   | 90.7   | 257.5              | 13.8     | 210.4    | 5.5 | 81.2   |  |  |
|        |          | 120                | Operation not recommended |          |          |          |     |        |                    |          |          |          |     |        |        |                    |          |          |     |        |  |  |
|        | 36       | 60                 | 82.7                      | 272.7    | 11.3     | 234.2    | 7.1 | 70.5   | 75.3               | 274.8    | 11.1     | 236.9    | 7.3 | 76.8   | 71.5   | 276.9              | 10.9     | 239.6    | 7.4 | 80.0   |  |  |
|        |          | 80                 | 101.6                     | 258.7    | 14.4     | 209.5    | 5.3 | 72.5   | 94.5               | 261.4    | 14.2     | 213.2    | 5.4 | 78.2   | 91.0   | 264.2              | 13.9     | 216.8    | 5.6 | 81.0   |  |  |
|        |          | 100                | Operation not recommended |          |          |          |     |        |                    |          |          |          |     |        |        |                    |          |          |     |        |  |  |
|        |          | 120                | Operation not recommended |          |          |          |     |        |                    |          |          |          |     |        |        |                    |          |          |     |        |  |  |
|        | 48       | 60                 | 83.3                      | 279.7    | 11.4     | 240.9    | 7.2 | 69.9   | 75.7               | 281.9    | 11.2     | 243.7    | 7.4 | 76.5   | 71.8   | 284.0              | 11.0     | 246.5    | 7.6 | 79.7   |  |  |
|        |          | 80                 | 102.1                     | 265.3    | 14.5     | 215.7    | 5.4 | 72.0   | 94.9               | 268.2    | 14.3     | 219.5    | 5.5 | 77.8   | 91.3   | 271.0              | 14.0     | 223.2    | 5.7 | 80.7   |  |  |
|        |          | 100                | Operation not recommended |          |          |          |     |        |                    |          |          |          |     |        |        |                    |          |          |     |        |  |  |
|        |          | 120                | Operation not recommended |          |          |          |     |        |                    |          |          |          |     |        |        |                    |          |          |     |        |  |  |

NOTE: For part load application, divide capacity by 2.

# Wiring Schematics

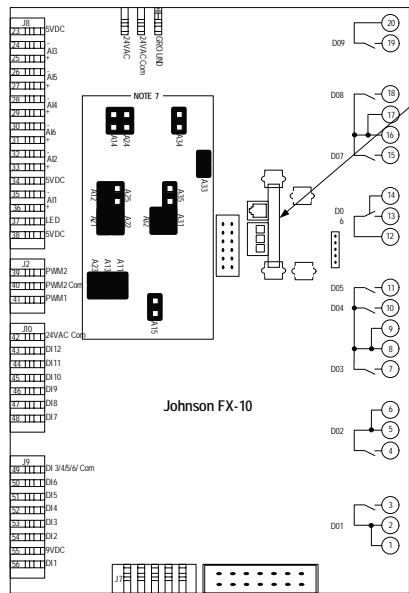
208-230/60/1





# Wiring Schematics cont.

## MUI Wiring Diagram

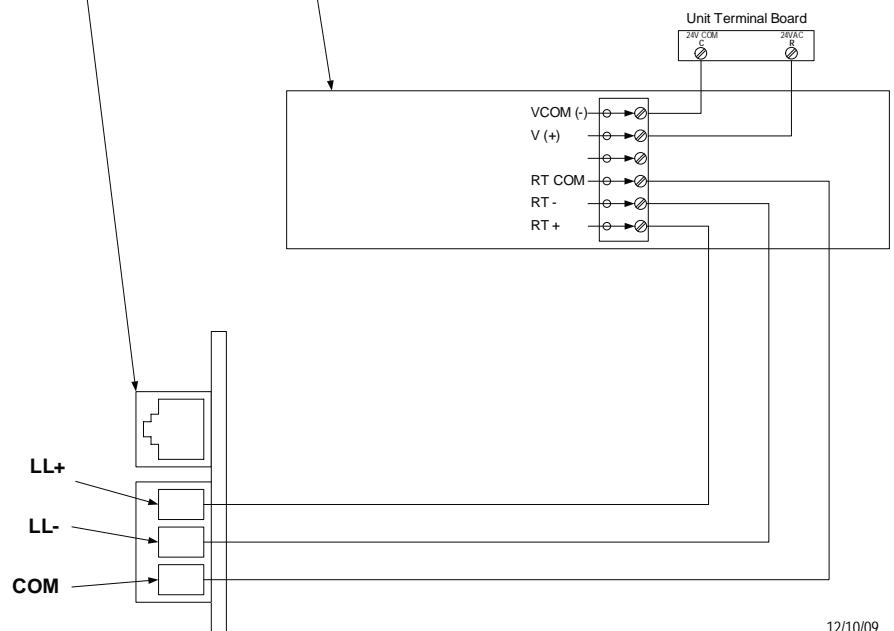


DLI Card

**Instructions :**

- 1.) Disconnect all power sources to the unit
- 2.) Remove MUI from Back Plate
- 3.) Follow Wiring Instruction Below
- 4.) Reinstall MUI to Back Plate

MUI Back Plate



12/10/09



## Accessories and Options

### Flow Proving Switch

The FPS300 flow switch is designed to detect the presence or absence of flow in the piping of a water source heat pump. In water source heat pumps the flow switch is normally used to shut off the compressor whenever there is not circulation of the brine solution through the braze plate or coaxial heat exchanger. A lack of circulation can damage braze plate or coaxial heat exchangers if freezing occurs.



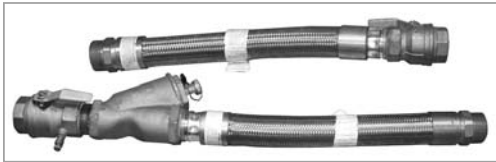
### Load and Source Piping Connections

The Affinity has two connection options available. Each kit is intended to connect one piping connection. Therefore, two kits will be required for each unit. The kits can be mixed for installer convenience, one on source and the other on load.

*CKNDW1* - Strainer Connection Kit includes a 2 in. copper tee with integral P/T plug and a 2 in. "Y" strainer. Other components to complete the all copper piping can be sourced locally.

*HHK162S* - Strainer Hose Kit set includes a 2 in. stainless steel braided hose with integral P/T plug and a 2 in. "Y" strainer.

### Strainers



*HHK162S*



*CKNDW1*

All units shall have a field-installed 2 in. Y-strainer with a self-aligning screen and 1 in. blow-off port to reduce debris that will enter the condenser/evaporator. Strainers should be made of a brass body with a 316 stainless steel 20-40 mesh screen.



**WARNING: Warranty is void if strainers are not used on the entering side of the load and source.**

### Earth Loop and Load-side Pump Kits (Field Installed)

A specially designed one or two-pump module provides all liquid flow, fill and connection requirements for independent single unit systems (230/60/1 only).

Calculate the system pressure drop then refer to the pump curves to select the proper pump. All of the pump kits can be used for hydronic heating applications as long as they meet the flow requirements. If the flow requirements are outside the pump curve, an alternate pump will need to be obtained to maintain the necessary flow.

- FCM2-3023* - UPS60-150 (x2), cast iron pump volute, 3-speed, 2 in. full-port
- FCL1-5028* - UPS32-160, cast iron pump volute, 3-speed, 2 in. full-port
- FCL1-5038* - UPS40-160, cast iron pump volute, 3-speed, 2 in. full-port
- FCL1-5055* - UPS40-240, cast iron pump volute, 3-speed, 2 in. full-port

### HydroZone Tank Controller

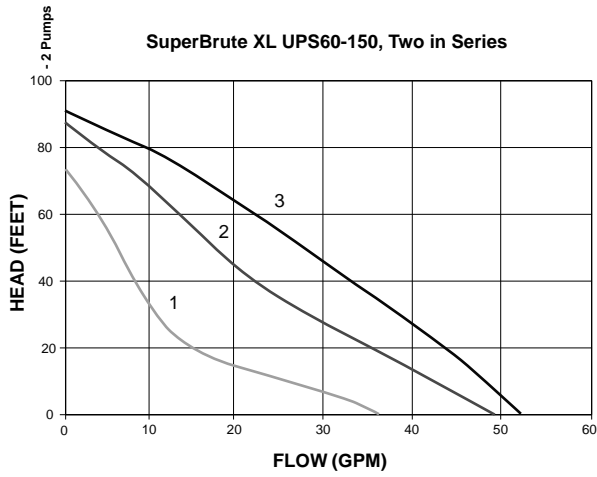
Tank controller (**HZC**) that adds outdoor reset with warm weather shutdown, setpoint control, process control, and management of four compressor outputs for our water-to-water systems.

### HZAB

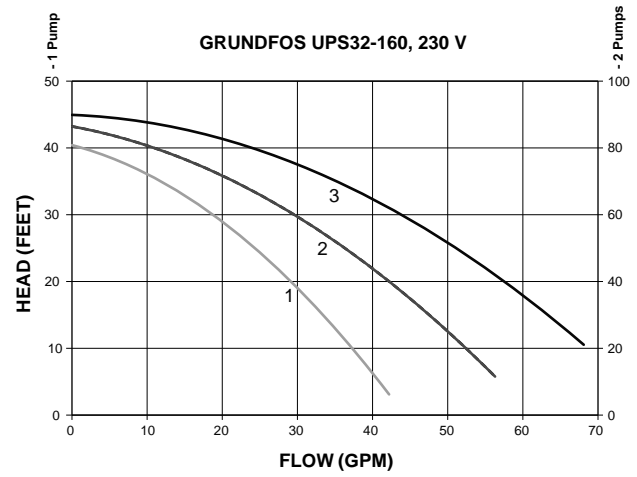
This is used in conjunction with the HydroZone to control the Geo-Storage tank electric heating element.

## Accessories and Options cont.

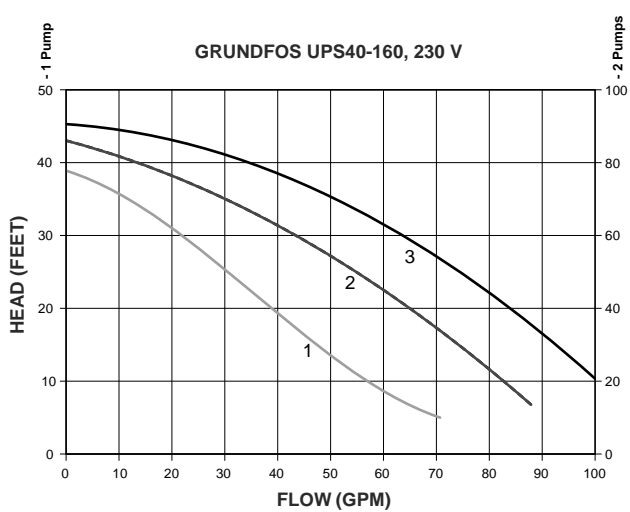
**Pump Curve - FCM2-3023**



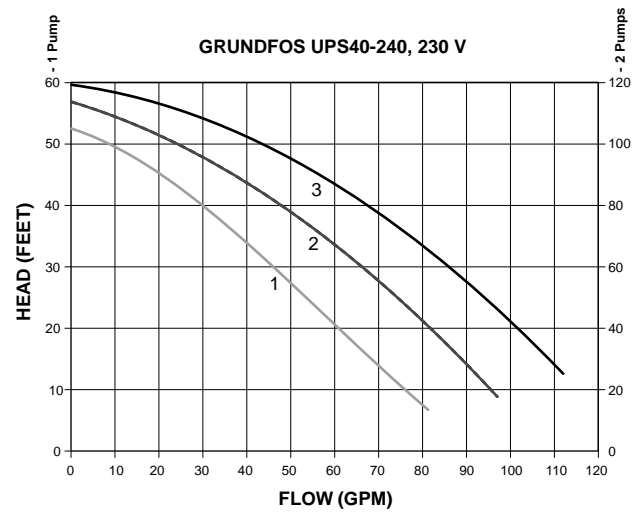
**Pump Curve - FCL1-5028**



**Pump Curve - FCL1-5038**

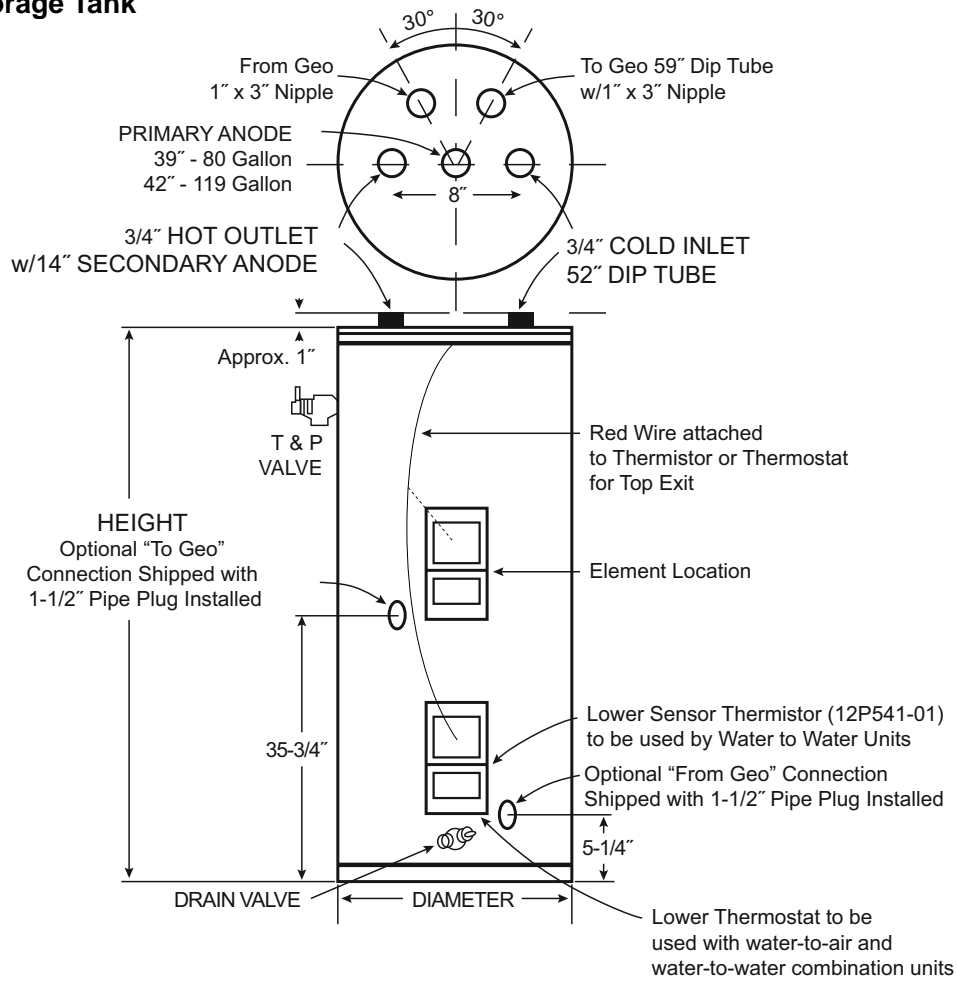


**Pump Curve - FCL1-5055**



## Accessories and Options cont.

### Geothermal Storage Tank



| MODEL NUMBER    | GALLON CAPACITY | ELEMENT WATTAGE (240 VOLT) | NUMBER OF ELEMENTS | R VALUE | DIMENSIONS IN INCHES |          | APPROX. SHIPPING WEIGHT (lbs.) |
|-----------------|-----------------|----------------------------|--------------------|---------|----------------------|----------|--------------------------------|
|                 |                 |                            |                    |         | HEIGHT               | DIAMETER |                                |
| GEO-STORAGE-80  | 80              | 4500                       | 1                  | 16      | 63-1/4               | 24       | 204                            |
| GEO-STORAGE-120 | 119             | 4500                       | 1                  | 16      | 63-1/4               | 28       | 311                            |

## Engineering Guide Specifications

### General

The liquid source water-to-water heat pump shall be a single packaged reverse-cycle heating/cooling unit. The unit shall be listed by a nationally recognized safety-testing laboratory or agency, such as ETL Testing Laboratory, Underwriters Laboratory (UL), or Canadian Standards Association (CSA). The unit shall be rated in accordance with Air Conditioning, Heating, and Refrigeration Institute/International Standards Organization (AHRI/ISO) and Canadian Standards Association (CSA-US). The liquid source water-to-water heat pump unit shall be designed to operate with source liquid temperatures between 30°F [1.1°C] and 110°F [43.3°C] in cooling, and between 30°F [-1.1°C] and 90°F [32.2°C] in heating.

### Casing and Cabinet

The cabinet shall be fabricated from heavy-gauge galvanized steel and finished with corrosion-resistant powder coating. This corrosion protection system shall meet the stringent 1,000 hour salt spray test per ASTM B117. The interior shall be insulated with 1/2" thick, multi-density, coated glass fiber for noise suppression.

The control box shall have separate holes and knockouts for entrance of line voltage and low voltage control wiring. All factory-installed wiring passing through factory knockouts and openings shall be protected from sheet metal edges at openings by plastic ferrules. The control box shall be field switchable from front to back for improved application flexibility with quick attach low voltage harnesses. The control box is shipped standard on the opposite end of the water connections.

### Refrigerant Circuit

All units shall contain two (2) sealed refrigerant circuits, each containing a hermetic motor scroll compressor, bidirectional thermal expansion valve assemblies, reversing valve, braze plate heat exchangers, factory installed high and low pressure safety switches, freeze detection, service ports, and liquid line filter dryers. Compressors shall be scroll types designed for heat pump duty with internal isolation and mounted on rubber vibration isolators. Compressor motors shall have internal overload protection. A high density sound attenuating blanket shall be factory installed around the compressor to reduce sound. The water to refrigerant heat exchangers shall be interlaced copper brazed, 316 stainless plate steel, capable of withstanding 650 psig [4489 kPa] working pressure on the refrigerant side and 450 psig [3108 kPa] on the water side. The thermal expansion valve assembly shall provide proper superheat over the liquid temperature range with minimal "hunting." The assembly shall operate bidirectionally without the use of check valves. Externally mounted pressure controlled water regulating flow valves are not acceptable.

### Piping and Connections

Supply and return water connections shall be 2 in. [50.8 mm] FPT copper fittings fixed to the cabinet by use of a captive fitting, which eliminates the need for backup pipe wrenches.

**Optional** Back/Top Mount Water Connections - shall be factory installed to the back corner post or top panel by use of a captive fitting, which eliminates the need for backup pipe wrenches.



**WARNING: Warranty is void if strainers are not used on the entering side of the load and source.**

### Electrical

Controls and safety devices will be factory wired and mounted within the unit. Controls shall include 24 Volt activated compressor contactors, 24VAC-75VA transformer with built in circuit breaker, reversing valve coils, and anti short-cycle protection. A terminal block with screw in terminals will be provided for field control wiring. To prevent short cycling when the safety controls are activated, the reset relay shall provide a lockout circuit that requires resetting of low voltage supply or main circuit breaker. A lockout signal shall be provided to the display to indicate a lockout situation. Units shall be name-plated for use with time delay fuses or HACR circuit breakers. Unit controls shall be 24 Volt and provide heating or cooling as required by the remote thermostat/sensor.

**Optional** IntelliStart (Compressor Soft Starter) - shall be factory installed for use in applications that require low starting amps, reduced compressor start-up noise, off-grid, and improved start-up behavior. IntelliStart shall reduce normal starting current by 60% on 208/60/1 units.

### Microprocessor Control

The unit shall be controlled using an FX10 microprocessor which sequences all functions and modes of operations. The control shall interface with a (Y,B) thermostat, mechanical or electronic. The control shall have the ability to communicate with N2 Open, BacNet, or LonWorks protocols with optional communication card. The control system shall have the following features:

1. Anti-short cycle time delay on compressor operation, time delay shall be a minimum of 3 minutes
2. Random start on power up mode
3. Low voltage protection
4. High voltage protection
5. Unit shutdown on high or low refrigerant pressures
6. Unit shutdown for low water temperature
7. Source and Load heat exchanger low water temperature cutout selectable for water or anti-freeze
8. Automatic intelligent reset (Unit will automatically reset 5 minutes after trip if the fault has cleared. Should a fault reoccur 3 times sequentially then permanent lockout will occur.)

## Engineering Guide Specifications cont.

---

9. A 4 x 20 digit backlit LCD to display the following:
  - a. Entering and leaving water temperatures
  - b. High pressure, low pressure, low voltage, high voltage, low water temperature cutout, and control status
10. The low pressure shall not be monitored for the first 120 seconds after a compressor start command to prevent nuisance safety trips.
11. Remote fault indication on the thermostat
12. An accessory relay output tied to each compressor selectable for normally open or normally closed

### Accessories

#### Flow Proving Switch

P/N - FPS300

A flow proving switch shall be available utilizing high reliability flow sensing technology.

#### Strainer Connection Kit

P/N - CKNDW1

A strainer connection kit shall be available and includes a 2 in. [50.8 mm] Y-strainer with self-aligning screen and 1 in. [25.4 mm] blow-off port to reduce debris that will enter the heat exchanger. Strainers should be made of a brass body with a 316 stainless steel screen. Connection kit shall also include a 2 in. [50.8 mm] wrought copper tee with integral pressure/temperature port.

#### Strainer Hose Kit Set

P/N - HHK162S

A strainer hose kit set shall be available and includes a 2 in. strainer loaded with 20-40 mesh screen and blow down valve, 2 in. stainless steel braid hose, 2 in. ball valve with integral pressure/temperature port and a JIC swivel fitting on the supply and 2 in. stainless steel braid hose and 2 in. ball valve with integral pressure/temperature port and a JIC swivel fitting on the return hose. The hose kit assembly shall be pressure rated at 300 psi working pressure.

**NOTE:** A strainer kit is required on both sides to reduce heat exchanger fouling and potential damage.

## Revision Guide

---

| <b>Pages:</b> | <b>Description:</b> | <b>Date:</b> | <b>By:</b> |
|---------------|---------------------|--------------|------------|
| All           | First Published     | 21 May 2014  | DS         |





Product: **Affinity Series**  
Type: Geothermal Hydronic Heat Pumps  
Size: 8-15 Ton Dual Capacity

Document Type: Specification Catalog  
Part Number: SC1057WK6  
Release Date: 05/14