

# INSTALLATION GUIDE

## LX Compact Series



R-454B  
60Hz

IGV3-0007YB

General Installation Information.....	2
Serial Plate.....	6
Water Quality .....	11
Electrical Connections .....	12
Dimensional Data.....	14
Physical Data .....	18
Blower Performance .....	19
Unit Startup.....	22
Refrigerant Removal and Evacuation .....	23
Charging Procedures.....	23
Refrigerant Recovery.....	24
Refrigeration Cycle Analysis.....	25
Revision Guide .....	27

### WARNING

**WARNING:** Before performing service or maintenance operations on the system, turn off main power switches to the unit. Electrical shock could cause serious personal injury.

**WARNING:** All products are designed, tested, and manufactured to comply with the latest publicly released and available edition of UL 60335-2-40 for electrical safety certification. All field electrical connections must follow the National Electrical Code (NEC) guide standards and / or any local codes that may be applicable for the installation.

**WARNING:** Only factory authorized personnel are approved for startup, check test and commissioning of this unit.

**INSTALLER:** Please take the time to read and understand these instructions prior to any installation. Installer must give a copy of this manual to the owner.

### For the User

### WARNING

This appliance is not intended for use by persons (including children) with reduced physical, sensory, or mental capabilities, or lack of experience and knowledge, unless they have been given supervision or instruction concerning use of the appliance by a person responsible for their safety.

Children should be supervised to ensure that they do not play with the appliance.

Keep this manual in a safe place in order to provide your service personnel with necessary information.

### NOTICE

**NOTICE:** To avoid equipment damage, do not leave the system filled in a building without heat during cold weather, unless adequate freeze protection levels of antifreeze are used. Heat exchangers do not fully drain and will freeze unless protected, causing permanent damage.

### Definition of Warnings and Symbols

<b>DANGER</b>	Indicates a situation that results in death or serious injury.
<b>WARNING</b>	Indicates a situation that could result in death or serious injury.
<b>CAUTION</b>	Indicates a situation that could result in minor or moderate injury.
<b>NOTICE</b>	Indicates a situation that could result in equipment or property damage.



All LX Compact 0.5-6 Ton Series models are safety listed and conforms to UL Standards 60335-1 & 60335-2-40 / Certified to CSA STDSC22.2 60335-1 & 60335-2-40 through ETL. Performance listed with AHRI in accordance with ASHRAE/ANSI/AHRI/ISO Standard 13256-1.

## General Installation Information

**NOTICE: Do not store or install units in corrosive environments or in locations subject to temperature or humidity extremes. Corrosive conditions and high temperature or humidity can significantly reduce performance, reliability, and service life.**

**NOTICE: A minimum of 24 in. clearance should be allowed for access to front access panel.**

**NOTICE: To avoid equipment damage, DO NOT use these units as a source of heating or cooling during the construction process. The mechanical components and filters can quickly become clogged with construction dirt and debris, which may cause system damage and void product warranty.**

### For the Installer

If you are NOT sure how to install or operate the unit, contact your dealer.

Installing and servicing air conditioning and heating equipment can be hazardous due to system pressure and electrical components. Only trained and qualified service personnel should install, repair or service heating and air conditioning equipment. When working on heating and air conditioning equipment, observe precautions in the literature, tags and labels attached to the unit and other safety precautions that may apply.

This manual contains specific information about the required qualification of the working personnel for maintenance, service and repair operations. Every working procedure that affects safety means shall only be carried out by competent persons.

Examples for such working procedures are:

- breaking into the refrigerating circuit;
- opening of sealed components or ventilated enclosures.

Follow all safety codes. Wear safety glasses and work gloves. Use quenching cloth for brazing operations. Have fire extinguisher available for all brazing operations. Follow all procedures to remain in compliance with national gas regulations.

Prior to beginning work on systems containing FLAMMABLE REFRIGERANTS, safety checks are necessary to ensure that the risk of ignition is minimized. Work shall be undertaken under a controlled procedure so as to minimise the risk of a flammable gas or vapor being present while the work is being performed. All maintenance staff and others working in the local area shall be instructed on the nature of work being carried out. Work in confined spaces shall be avoided.

The area shall be checked with an appropriate refrigerant detector prior to and during work, to ensure the technician is aware of potentially toxic or flammable atmospheres. Ensure that the leak detection equipment being used is suitable for use with all applicable refrigerants, i.e. non-sparking, adequately sealed or intrinsically safe.

If any hot work is to be conducted on the refrigerating equipment or any associated parts, appropriate fire extinguishing equipment shall be available to hand. Have a dry powder or CO2 fire extinguisher adjacent to the charging area.

No person carrying out work in relation to a REFRIGERATING SYSTEM which involves exposing any pipe work shall use any sources of ignition in such a manner that it may lead to the risk of

fire or explosion. All possible ignition sources, including cigarette smoking, should be kept sufficiently far away from the site of installation, repairing, removing and disposal, during which refrigerant can possibly be released to the surrounding space. Prior to work taking place, the area around the equipment is to be surveyed to make sure that there are no flammable hazards or ignition risks. "No Smoking" signs shall be displayed.

Where electrical components are being changed, they shall be fit for the purpose and to the correct specification. At all times the manufacturer's maintenance and service guidelines shall be followed. If in doubt, consult the manufacturer's technical department for assistance.

The following checks shall be applied to installations using FLAMMABLE REFRIGERANTS:

- the actual REFRIGERANT CHARGE is in accordance with the room size within which the refrigerant containing parts are installed;
- the ventilation machinery and outlets are operating adequately and are not obstructed;
- if an indirect refrigerating circuit is being used, the secondary circuit shall be checked for the presence of refrigerant;
- marking to the equipment continues to be visible and legible. Markings and signs that are illegible shall be corrected;
- refrigerating pipe or components are installed in a position where they are unlikely to be exposed to any substance which may corrode refrigerant containing components, unless the components are constructed of materials which are inherently resistant to being corroded or are suitably protected against being so corroded.

### WARNING

**If the appliance locks out on E5: FREEZE PROTECTION FP1. The appliance must set for 5 hours before being restarted.**

### Instructions for Equipment Using R-454B Refrigerant

#### WARNING

- **Do NOT pierce or burn**
- **Do NOT use means to accelerate the defrosting process or to clean the equipment, other than those recommended by the manufacturer**
- **Be aware that refrigerants may not contain an odor**

#### WARNING

- **The Appliance should be stored so as to prevent mechanical damage and in a room without continuously operating ignition sources (example: open flames, an operating gas appliance or an operating electric heater)**

## General Installation Information

### WARNING

**Ventilated Area:** ensure that the area is in the open or that it is adequately ventilated before breaking into the system of conducting any hot work. A degree of ventilation should continue during the period that the work is carried out. The ventilation should safely disperse any released refrigerant and preferably expel it. Keep ventilation area clear of obstructions!

### WARNING

Do NOT use potential sources of ignition in searching for or detection of refrigerant leaks. A halide torch (or any other detector using a naked flame) shall not be used.

The following leak detection methods are deemed acceptable for all refrigerant systems. Electronic leak detectors may be used to detect refrigerant leaks but, in the case of FLAMMABLE REFRIGERANTS, the sensitivity may not be adequate, or may need recalibration. (Detection equipment shall be calibrated in a refrigerant-free area.) Ensure that the detector is not a potential source of ignition and is suitable for the refrigerant used. Leak detection equipment shall be set at a percentage of the LFL of the refrigerant and shall be calibrated to the refrigerant employed, and the appropriate percentage of gas (25% maximum) is confirmed. Leak detection fluids are also suitable for use with most refrigerants but the use of detergents containing chlorine shall be avoided as the chlorine may react with the refrigerant and corrode the copper pipe-work. NOTE Examples of leak detection fluids are bubble method, fluorescent method agents. If a leak is suspected, all naked flames shall be removed/extinguished. If a leakage of refrigerant is found which requires brazing, all of the refrigerant shall be recovered from the system, or isolated (by means of shut off valves) in a part of the system remote from the leak. Removal of refrigerant shall follow the procedure outlined in this manual.

## Installation Site

Maximum altitude for this equipment shall not exceed 3000 m. (9843 ft.) and should not be installed at an altitude greater than 3000 m. For installation only in locations not accessible to the general public.

### WARNING

For appliances using A2L refrigerants connected via an air duct system to one or more rooms, only auxiliary devices approved by the appliance manufacturer or declared suitable with the refrigerant shall be installed in connecting ductwork. The manufacturer shall list in the instructions all approved auxiliary devices by manufacturer and model number for use with the specific appliance, if those devices have a potential to become an ignition source.

## Installation Space Requirements

NOTE: Equipment with refrigerant charge less than 63 oz does not have a minimum floor area requirement and does not require a refrigerant leak detection sensor.

The sensor might be added as a feature.

### WARNING

Equipment containing R-454B refrigerant shall be installed, operated, and stored in a room with floor area larger than the area defined in the "Minimum Floor Area" chart based on the total refrigerant charge in the system. This requirement applies to indoor equipment with or without a factory refrigerant leakage sensor.

### CAUTION

This equipment requires connections to a water supply. See the "Water Quality Guidelines" section of this manual for more information on the quality of water required for this operation. If a potable water source is used for this equipment's water supply, the source water supply shall be protected against back siphonage by the equipment.

### WARNING

This equipment comes with a factory installed Refrigerant Detection Device which is capable of determining its specified end-of-life and replacement instructions. Refrigerant sensors for refrigerant detection systems shall only be replaced with sensors specified by the appliance manufacturer.

### WARNING

Take sufficient precautions in case of refrigerant leakage. If refrigerant gas leaks, ventilate the area immediately.  
**POSSIBLE RISKS:** Excessive refrigerant concentrations in a closed room can lead to oxygen deficiency

### WARNING

ALWAYS recover the refrigerant. Do NOT release them directly into the environment. Follow handling instructions carefully in compliance with national regulations.

## General Installation Information: Refrigerant Detection and Mitigation



### WARNING

Check that cabling will not be subject to wear, corrosion, excessive pressure, vibration, sharp edges or any other adverse environmental effects. The check shall also take into account the effects of aging or continual vibration from sources such as compressors or fans.

### Determination of Minimum Floor Area

Determine the total refrigerant charge in the system. In packaged heat pump systems, the factory charge should be the total charge for the system and there should be no reason for adding charge in the field. The equipment serial plate and unit physical data table should serve as reference for the total charge. Heat pumps with a refrigerant charge of 63 oz or greater come with a refrigerant mitigation system factory installed.

The heat pump equipment is ducted and utilizes the blower for leak mitigation. Once the refrigerant leak sensor detects leaked refrigerant, the compressor and electric heat will be deactivated, and the blower will operate in the continuous fan setting. This will occur for a minimum of 5 minutes and an alarm in the control will remain until the sensor no longer detects a leak.

The minimum area where the unit can be installed,  $A_{min}$ , is based on the refrigerant charge and installation height of the unit, shown in the table below. Since this heat pump is ducted and is utilizing the blower for leak mitigation, the ducted/zoned floor area must be greater than the  $TA_{min}$  shown in the table below. If the heat pump is zoned, the dampers must open to allow the heat pump blower to mitigate the refrigerant leak. The continuous blower speed must be set higher than  $Q_{min}$ , shown in the table below. The continuous fan setting is factory set to exceed the minimum airflow required for mitigation.

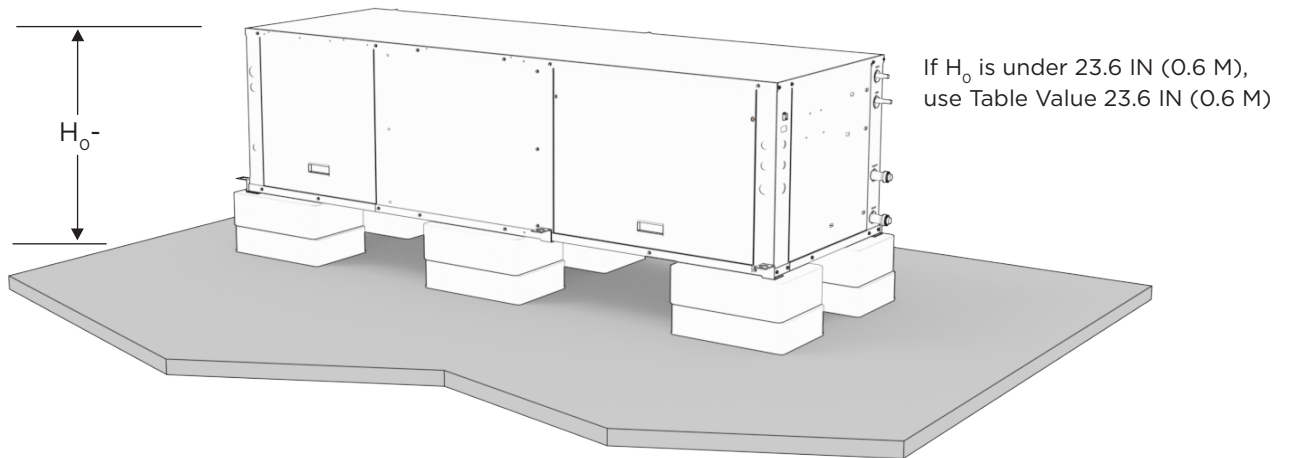
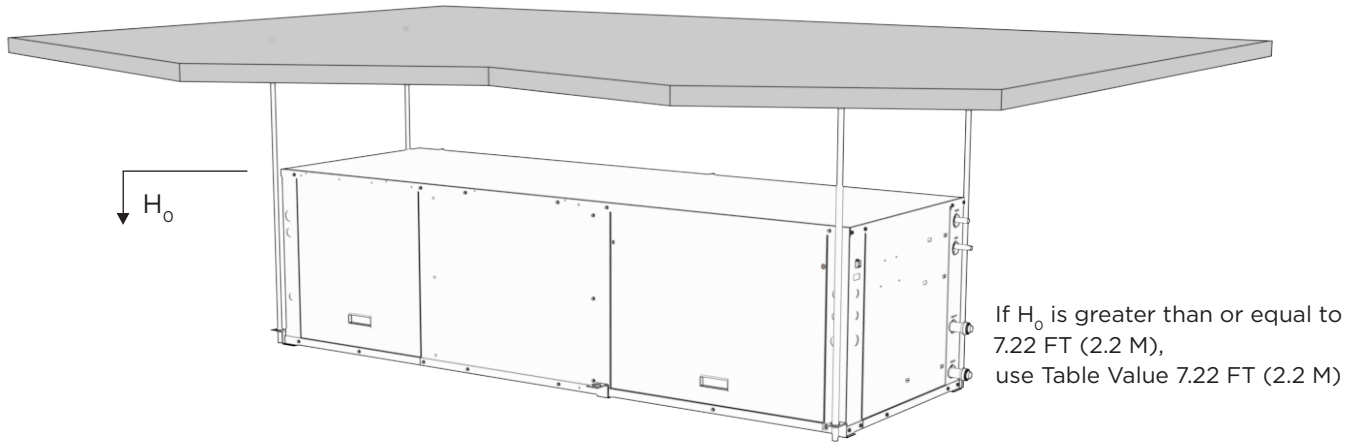
$H_{alt}$		AF
meter	ft	
0	0	1.00
200	656	1.00
400	1312	1.00
600	1968	1.00
800	2624	1.02
1000	3280	1.05
1200	3937	1.07
1400	4593	1.10
1600	5249	1.12
1800	5905	1.15
2000	6561	1.18
2200	7217	1.21
2400	7874	1.25
2600	8530	1.28
2800	9186	1.32
3000	9842	1.36
3200	Not Recommended	

When the location of the installation is above 1969 ft (600m), the Altitude Adjustment Factor in the table is needed to calculate the minimum room size”.

Example: For instance, if you are installing a O60 vertical unit. If your elevation is 5249 ft (1600m) your area factor would be 1.12. If your charge weight is 76oz (2.154kg) at a floor height installation. The  $A_{min}$  would be 127.0 square Ft or (11.9 square meters). Take 113.4 square Ft X 1.12 for a new  $A_{min}$  of 127.0 square feet (11.9 square meters).


Model	Configuration	$H_o$			Charge		$A_{min}$		$Q_{min}$		$TA_{min}$	
		in	ft	m	lbm	oz	ft2	m2	cfm	m3/h	ft2	m2
70	Horizontal Floor	23.6	2	0.6	5	80	516.2	48	135.2	229.9	75	7
	Horizontal Floor +2 Ft	47.6	4	1.2	5	80	136.4	12.7	135.2	229.9	75	7
	Horizontal Floor +4 ft	71.6	6	1.8	5	80	90.7	8.4	135.2	229.9	75	7
	Horizontal Suspended	86.6	7.2	2.2	5	80	75	7	135.2	229.9	75	7

## General Installation Information: Refrigerant Detection and Mitigation



If  $H_o$  is between these values, use the table to calculate  $A_{min}$ .

# Serial Plate

Unit Nomenclature and Serial Number	<b>MODEL:</b> <b>JOB #:</b>	<b>S/N: 999999999</b> Manufactured Fort Wayne, Indiana USA			
Unit Voltage	<b>Electrical Service</b>				
	VAC/PHASE	Hz	FLA	MIN CIRCUIT AMPS	MIN/MAX VAC
Fuse/Breaker Size	<b>Short-Circuit Current</b>			<b>Fuse Circuit Breaker Size</b>	
	kA Symmetrical	0	Max Fuse Time Delay	US Max HACR	Canada Max
	V Maximum	0			
Component Electrical Information	<b>Component</b>				
	Qty	LRA	RLA/MRC	FLA	VAC
	PH	HP	KW		
Unit Restrictions	<b>Other Data</b>				
	Min. distance to combustible surface (in/cm)				/
	Max. outlet air temperature (F/C)				/
	Max. external static pressure (in water/Pa)				/
	Max. inlet water temperature (F/C)				/
	Max. inlet water pressure (in water/Pa)				/
Auxillary Heater Kit Electrical Installation	CK BOX	Heater Model	Supply Circuit	KW	Min CIR AMP
	Max Fuse	Max BRKR			
	Mark heater installed with "X" in check box. For actual heater rating, see marking inside of unit.		Cocher "X" pour indiquer le modele installe pour les caracteristiques nominales des unites de chauffe voir le marquage a l'interieur.		
Unit Comments	<b>Comments</b>				
Installation Requirements	Warning: Floor area for storage or operation must meet the minimum requirements shown. Minimum room area (operating or storage)      0 ft <sup>2</sup> 0 m <sup>2</sup> Minimum installation height                              0 ft      0 m Note: For Minimum room areas at higher installation heights, see installation and operation manual. *For Installation Only in Locations Not Accessible to the General Public*				
Refrigerant Type and Charge Amount	MRC=Maximum Rated Current (only applicable for variable speed compressors/drives) Maximum allowable refrigerant pressure = PSIG/Mpa:      /				
	<b>Refrigerant Type</b>	<b>Refrigerant Charge/Circuit</b>	<b>Design Pressure</b>		
	R-454B	OZ kg	psi	Mpa	
			High:		
			Low:		



## General Installation Information

### Safety Considerations



**WARNING: Before performing service or maintenance operations on a system, turn off main power switches to the indoor unit. If applicable, turn off the accessory heater power switch. Electrical shock could cause personal injury.**

Installing and servicing heating and air conditioning equipment can be hazardous due to system pressure and electrical components. Only trained and qualified service personnel should install, repair or service heating and air conditioning equipment. Untrained personnel can perform the basic maintenance functions of cleaning coils and cleaning and replacing filters. All other operations should be performed by trained service personnel. When working on heating and air conditioning equipment, observe precautions in the literature, tags and labels attached to the unit and other safety precautions that may apply.

Follow all safety codes. Wear safety glasses and work gloves. Use a quenching cloth for brazing operations and have a fire extinguisher available.

### Moving and Storage

Move units in the normal “up” orientation. Horizontal units may be moved and stored per the information on the packaging. Do not stack more than three units in total height. Vertical units may be stored one upon another to a maximum height of two units. Do not attempt to move units while stacked. When the equipment is received, all items should be carefully checked against the bill of lading to be sure all crates and cartons have been received. Examine units for shipping damage, removing the units from the packaging if necessary. Units in question should also be internally inspected. If any damage is noted, the carrier should make the proper notation on the delivery receipt, acknowledging the damage.

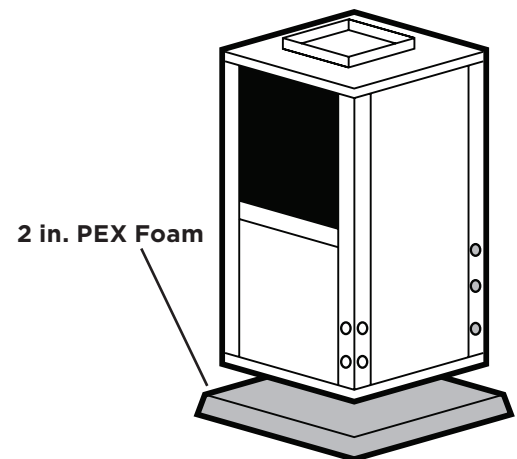
### Unit Location

Locate the unit in an indoor area that allows for easy removal of the filter and access panels. Location should have enough space for service personnel to perform maintenance or repair. Provide sufficient room to make water, electrical and duct connection(s). If the unit is located in a confined space, such as a closet, provisions must be made for return air to freely enter the space by means of a louvered door, etc. Any access panel screws that would be difficult to remove after the unit is installed should be removed prior to setting the unit. On horizontal units, allow adequate room below the unit for a condensate drain trap and do not locate the unit above supply piping. **Care should be taken when units are located in unconditioned spaces to prevent damage from frozen water lines and excessive heat that could damage electrical components.**

### Installing Vertical Units

Vertical units are available in left or right air return configurations. Top flow vertical units should be mounted level on a vibration absorbing pad slightly larger than the base to provide isolation between the unit and the floor.

**Vertical Unit Mounting**



## General Installation Information

### Typical Unit Installation

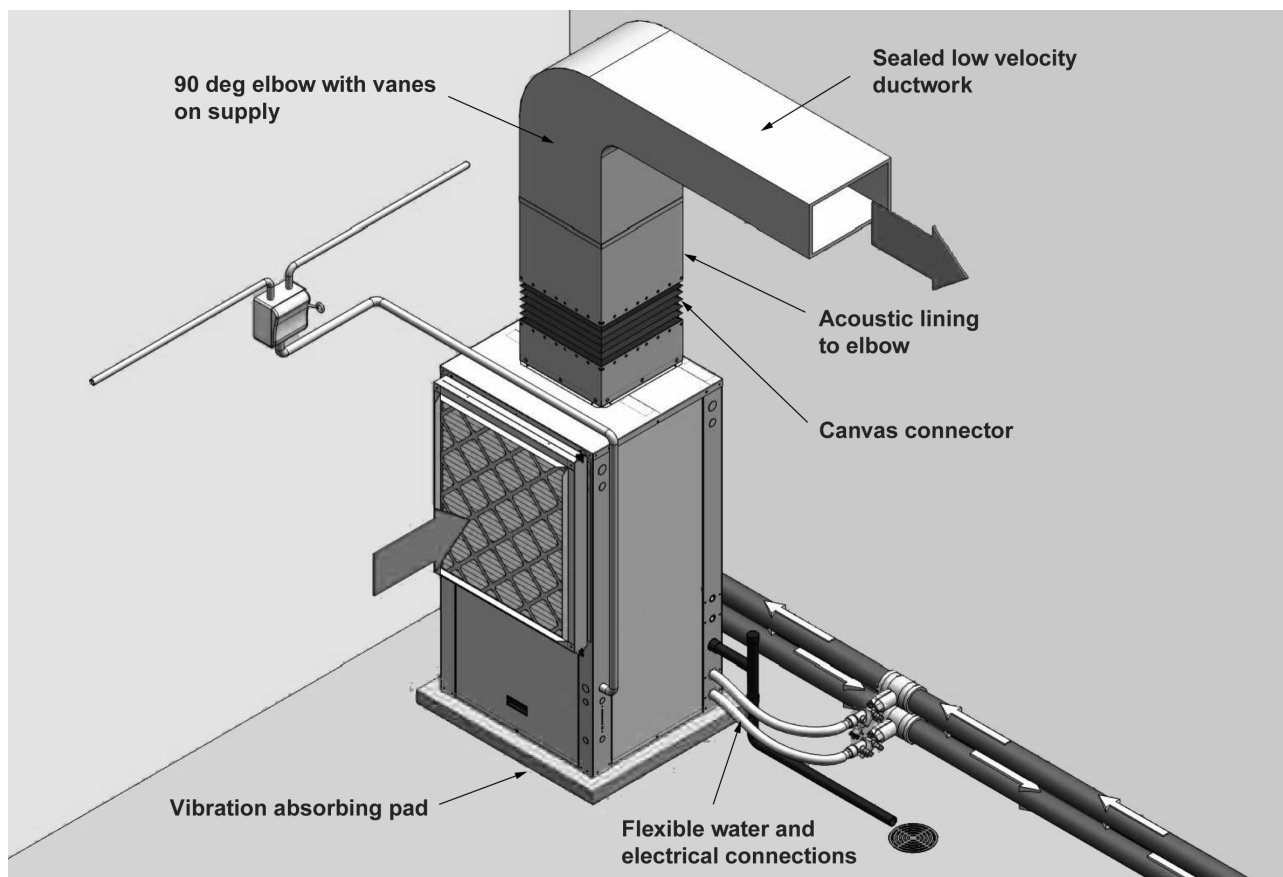
#### Unit Location

Locate the unit in an indoor area that allows for easy removal of the filter and access panels. Location should have enough space for service personnel to perform maintenance or repair. Provide sufficient room to make water, electrical and duct connection(s). If the unit is located in a confined space, such as a closet, provisions must be made for return air to freely enter the space by means of a louvered door, etc. Any access panel screws that would be difficult to remove after the unit is installed should be removed prior to setting the unit. On horizontal units, allow adequate room below the unit for a condensate drain trap and do not locate the unit above supply piping. Care should be taken when units are located in unconditioned spaces to prevent damage from frozen water lines and excessive heat that could damage electrical components.

#### Water Piping

Piping is usually design as 'reverse return' to equalize flow paths through each unit. A short flexible pressure rated hose is used to make connection to the fixed building piping system. This hose is typically stainless steel braid and includes a swivel fitting on one end for easy removal and is flexible to help isolate the unit for quieter operation. Isolation valves for servicing, y-strainers for filtering and memory-stop flow valve or a balancing valve can be provided for consistent water flow through the unit.

All unit source water connections are fittings that accept a male pipe thread (MPT). Insert the connectors by hand, then tighten the fitting with a wrench to provide a leakproof joint. The open and closed loop piping system should include pressure/temperature ports for serviceability. The proper water flow must be provided to each unit whenever the unit operates. To assure proper flow, use pressure/temperature ports to determine the flow rate. These ports should be located at the supply and return water connections on the unit. The proper flow rate cannot be accurately set without measuring the water pressure drop through the refrigerant-to-water heat exchanger. Never use flexible hoses smaller than the inside diameter of the water connection at the unit. Limit hose length to 10 feet per connection. Check carefully for water leaks.



## General Installation Information

### Installing Horizontal Units

Horizontal units are available with side or end discharge and may be easily field converted by flipping the blower discharge panel. Horizontal units are normally suspended from a ceiling by four 3/8 in. diameter threaded rods. The rods are usually attached to the unit by hanger bracket kits furnished with each unit. Lay out the threaded rods per the dimensions below. Assemble the hangers to the unit as shown. Securely tighten the brackets to the unit using the weld nuts located on the underside of the bottom panel. When attaching the hanger rods to the bracket, a double nut is required since vibration could loosen a single nut.

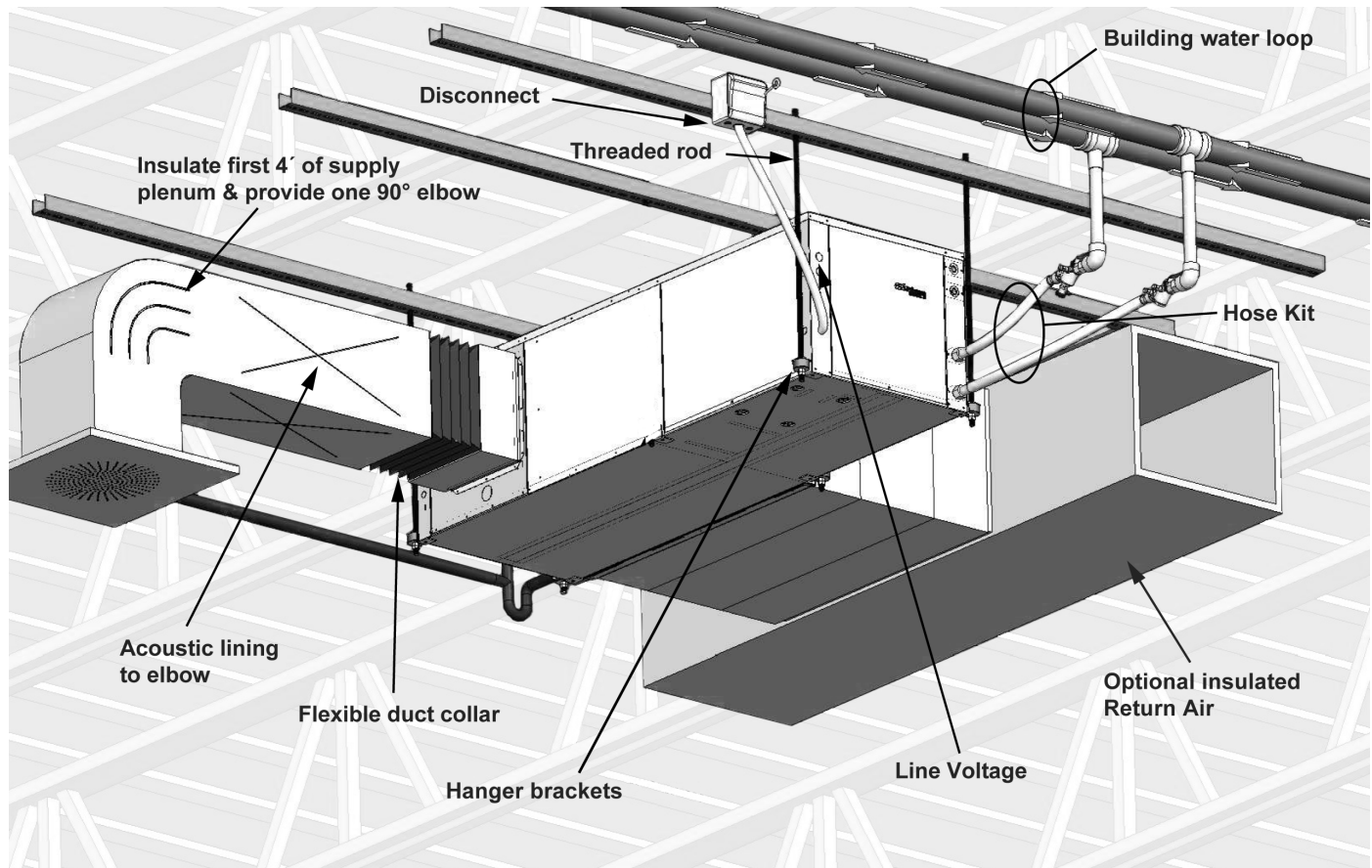
**NOTE:** The unit should be pitched approximately 1/4 in. towards the drain in both directions to facilitate the removal of condensate.

Use only the bolts provided in the kit to attach hanger brackets. The use of longer bolts could damage internal parts. Some applications require the installation of horizontal units on an attic floor. In this case, the unit should be set in a full size secondary drain pan on top of a vibration absorbing pad. The secondary drain pan prevents possible condensate overflow or water leakage damage to the ceiling. The secondary drain pan is usually placed on a plywood base isolated from the ceiling joists by additional layers of vibration absorbing material. Insulate supply plenum and use at least one 90° elbow and flexible duct collar to reduce noise.



**CAUTION:** Do not use rods smaller than 3/8 in. diameter since they may not be strong enough to support the unit. The rods must be securely anchored to the ceiling.

### Horizontal Unit Mounting



## General Installation Information

### Acoustical Considerations and Equipment Sound Performance

#### Sound Performance

This unit is third party sound rated in accordance with ARI 260. Please consult Sound Performance Data Catalog for details on the AHRI standard and sound performance data.

#### Recommendations for Noise Reduction

##### Horizontal Unit Location

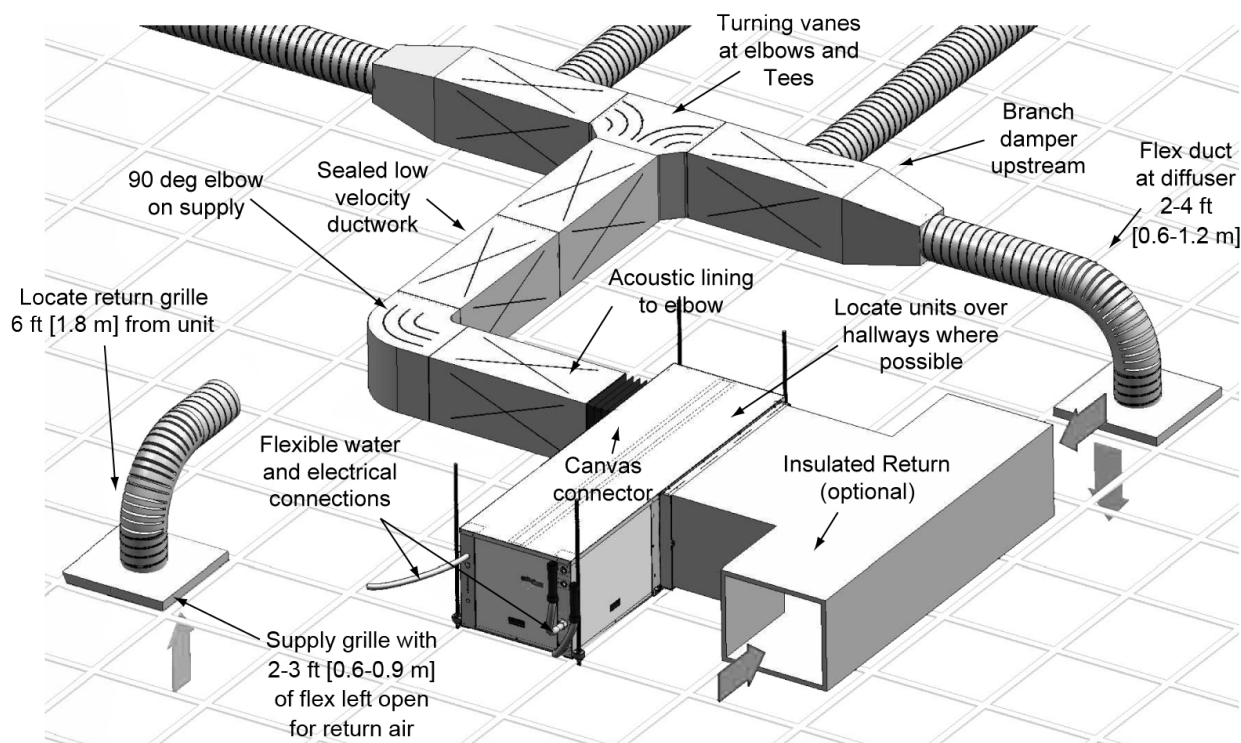
- Specify equipment with quietest sound power ratings
- Do not locate units above areas with a required NC 40 or less
- Space WSHP at least 10 ft (3m) apart to avoid noise summing of multiple units in a space.
- Maximize the height of the unit above the ceiling (horizontal).
- Suspend unit with isolation grommets that are appropriately rated to reduce vibrations (horizontal).

##### Vertical Unit Location

- Specify equipment with quietest sound power ratings
- Space WSHP at least 10 ft (3m) apart to avoid noise summing of multiple units in a space.
- Acoustic ceiling coatings can greatly reduce noise levels in mechanical rooms.
- Mount unit on a sound absorbing pad, extruded polystyrene, rubber or cork pad.

#### Ductwork

- Ensure return air grilles will not allow line of site noise to transfer to adjacent space. Use a sound barrier or some other material to isolate the grille from the unit. A supply grille, boot and short piece of flex duct pointed away from the unit can greatly attenuate equipment noise.
- Use a canvas isolation duct connector at the supply and return duct connection of the unit.
- Internally line the discharge and return duct within the first 4-8 feet of unit with acoustic insulation. Install an internally lined 'L' shaped return duct elbow at return grille. Face the elbow away from adjacent units.
- Always install at least one 90° elbow in the discharge duct to eliminate line of sight noise transmission of the blower.
- Use turning vanes at all elbows and tees to reduce turbulence.
- Limit supply duct velocities to less than 1,000 fpm
- Design and install ductwork as stiff as possible
- Allow 3 duct diameters both up and down stream of the unit before any fittings or transitions are installed.
- Use duct sealant on all duct joints.
- Install a short (2-4') of flex duct on all branch ducts just prior to discharge boot or diffuser to reduce vibration and duct sound prior to delivery in the room.
- Locate the branch duct balancing damper as far away from the diffuser as possible.
- In ceiling plenum systems, install an internally lined 'L' shaped return duct elbow at unit. Face the elbow away from adjacent units (horizontal).

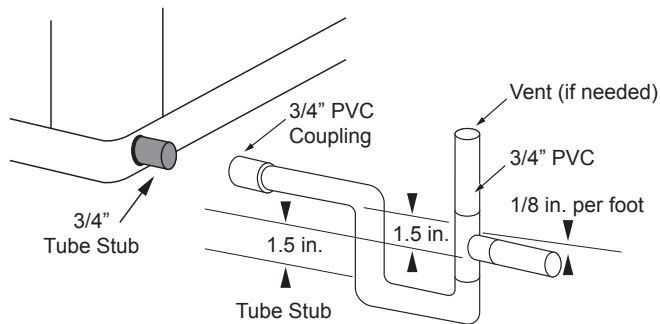


## Installation Information

### Condensate Drain

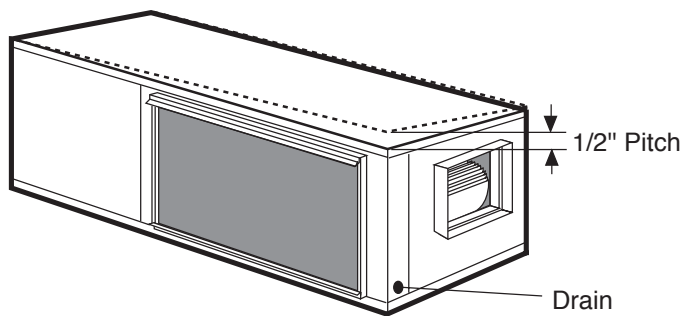
On vertical units, the internal condensate drain assembly consists of a drain tube which is connected to the drain pan, a 3/4 in. PVC female adapter and a flexible connecting hose. The female adapter may exit either the front or the side of the cabinet. The adapter should be glued to the field-installed PVC condensate piping. On vertical units, a condensate hose is inside all cabinets as a trapping loop; therefore, an external trap is not necessary.

#### Horizontal Drain Connection (Composite Drain Pan)



On horizontal and bottom flow units, a PVC stub or stainless steel tube is provided for condensate drain piping connection. An external trap is required (see below). If a vent is necessary, an open stand pipe may be applied to a tee in the field-installed condensate piping.

#### Unit Pitch for Drain



### Duct System

An air outlet collar is provided on vertical top flow units and all horizontal units to facilitate a duct connection. A flexible connector is recommended for discharge and return air duct connections on metal duct systems. Uninsulated duct should be insulated with a minimum of 1-inch duct insulation. Application of the unit to uninsulated ductwork in an unconditioned space is not recommended as the unit's performance will be adversely affected.

If the unit is connected to existing ductwork, check the duct system to ensure that it has the capacity to accommodate the air required for the unit application. If the duct is too small, as in the replacement of heating only systems, larger ductwork should be installed. All existing ductwork should be checked for leaks and repaired if necessary.

The duct system should be sized to handle the design airflow quietly and efficiently. To maximize sound attenuation of the unit blower, the supply and return plenums should include an internal duct liner of fiberglass or constructed of ductboard for the first few feet. On systems employing a sheet metal duct system, canvas connectors should be used between the unit and the ductwork. If air noise or excessive airflow is a problem, the blower speed can be changed.

### Water Piping

The proper water flow must be provided to each unit whenever the unit operates. To assure proper flow, use pressure/temperature ports to determine the flow rate. These ports should be located at the supply and return water connections on the unit. The proper flow rate cannot be accurately set without measuring the water pressure drop through the refrigerant-to-water heat exchanger.

All source water connections on commercial units are fittings that accept a male pipe thread (MPT). Insert the connectors by hand, then tighten the fitting with a wrench to provide a leakproof joint. When connecting to an open loop (groundwater) system, thread any copper MPT fitting into the connector and tighten in the same manner as described above.

## Water Quality

In ground water situations where scaling could be heavy or where biological growth such as iron bacteria will be present, a closed loop system is recommended. The heat exchanger coils in ground water systems may, over a period of time, lose heat exchange capabilities due to a buildup of mineral deposits inside. These can be cleaned, but only by a qualified service mechanic, as special solutions and pumping equipment are required. Hot water generator coils can likewise become scaled and possibly plugged.

In areas with extremely hard water, the owner should be informed that the heat exchanger may require occasional flushing. Failure to adhere to the guidelines in the water quality table could result in loss of warranty.

Units with cupronickel heat exchangers are recommended for open loop applications due to the increased resistance to build-up and corrosion, along with reduced wear caused by acid cleaning.

Material		Copper	90/10 Cupronickel	316 Stainless Steel
<b>pH</b>	<b>Acidity/Alkalinity</b>	7 - 9	7 - 9	7 - 9
<b>Scaling</b>	Calcium and Magnesium Carbonate	(Total Hardness) less than 350 ppm	(Total Hardness) less than 350 ppm	(Total Hardness) less than 350 ppm
<b>Corrosion</b>	Hydrogen Sulfide	Less than 0.5 ppm (rotten egg smell appears at 0.5 ppm)	10 - 50 ppm	Less than 1 ppm
	Sulfates	Less than 125 ppm	Less than 125 ppm	Less than 200 ppm
	Chlorine	Less than 0.5 ppm	Less than 0.5 ppm	Less than 0.5 ppm
	Chlorides	Less than 20 ppm	Less than 125 ppm	Less than 300 ppm
	Carbon Dioxide	Less than 50 ppm	10 - 50 ppm	10 - 50 ppm
	Ammonia	Less than 2 ppm	Less than 2 ppm	Less than 20 ppm
	Ammonia Chloride	Less than 0.5 ppm	Less than 0.5 ppm	Less than 0.5 ppm
	Ammonia Nitrate	Less than 0.5 ppm	Less than 0.5 ppm	Less than 0.5 ppm
	Ammonia Hydroxide	Less than 0.5 ppm	Less than 0.5 ppm	Less than 0.5 ppm
	Ammonia Sulfate	Less than 0.5 ppm	Less than 0.5 ppm	Less than 0.5 ppm
<b>Iron Fouling (Biological Growth)</b>	Total Dissolved Solids (TDS)	Less than 1000 ppm	1000 - 1500 ppm	1000 - 1500 ppm
	LSI Index	+0.5 to -0.5	+0.5 to -0.5	+0.5 to -0.5
<b>Iron Fouling (Biological Growth)</b>	Iron, FE <sup>2+</sup> (Ferrous) Bacterial Iron Potential	< 0.2 ppm	< 0.2 ppm	< 0.2 ppm
	Iron Oxide	Less than 1 ppm, above this level deposition will occur	Less than 1 ppm, above this level deposition will occur	Less than 1 ppm, above this level deposition will occur
<b>Erosion</b>	Suspended Solids	Less than 10 ppm and filtered for max. of 600 micron size	Less than 10 ppm and filtered for max. of 600 micron size	Less than 10 ppm and filtered for max. of 600 micron size
	Threshold Velocity (Fresh Water)	< 6 ft/sec	< 6 ft/sec	< 6 ft/sec

**NOTES:** Grains = ppm divided by 17  
mg/L is equivalent to ppm

2/22/12

## Electrical Connections

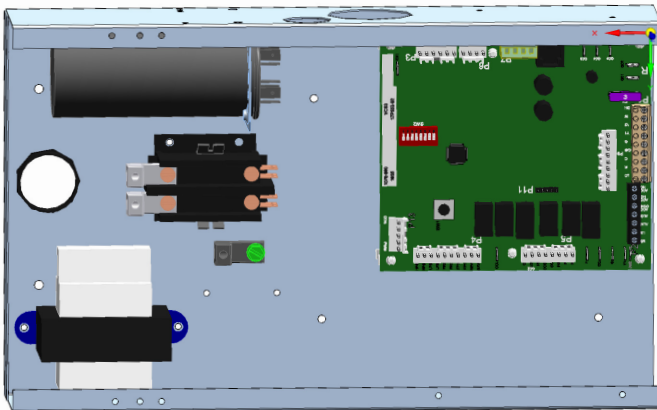
### General

Be sure the available power is the same voltage and phase as that shown on the unit serial plate. Line and low voltage wiring must be done in accordance with local codes or the National Electric Code, whichever is applicable.

### Power Connection

Connect the incoming line voltage wires to L1 and L2 of the contactor for single-phase unit. Consult the Electrical Data tables for correct fuse sizes.

### Aurora® Base Control Box



### 208 Volt Operation

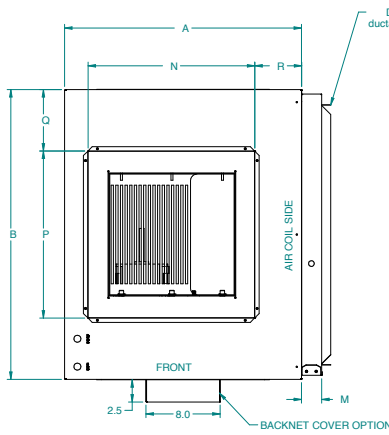
All 208/230 units are factory wired for 230 volt operation. For 208 volt operation, the red and blue transformer wires must be switched on terminal strip PS.



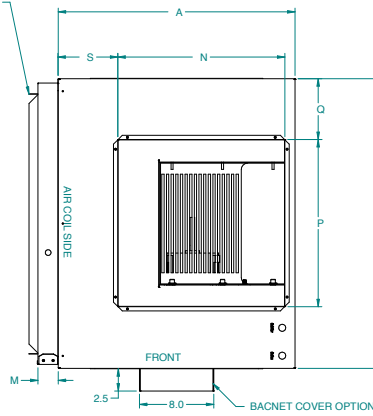
**CAUTION: When installing a unit with a variable speed ECM blower motor in 460/60/3 voltage, a neutral wire is required to allow proper unit operation.**

# Vertical Dimensional Data

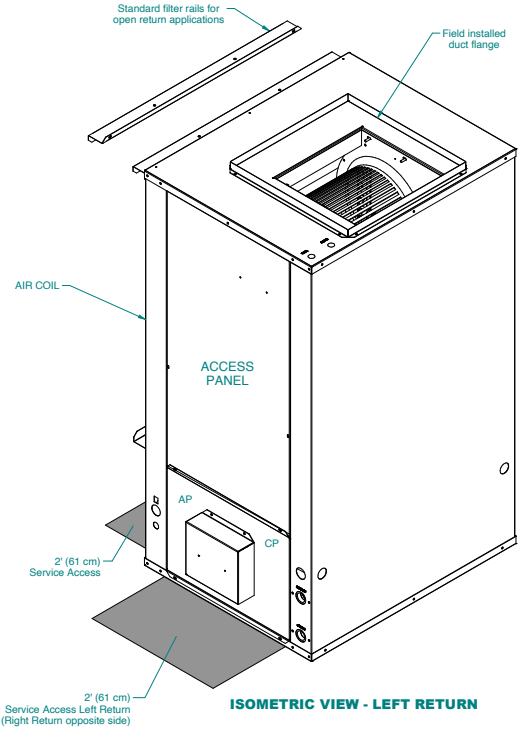
**Legend**  
 AP = Alternate Service Panel  
 BP = Blower Service Panel  
 CP = Control Access Panel  
 CMP = Compressor Service Panel



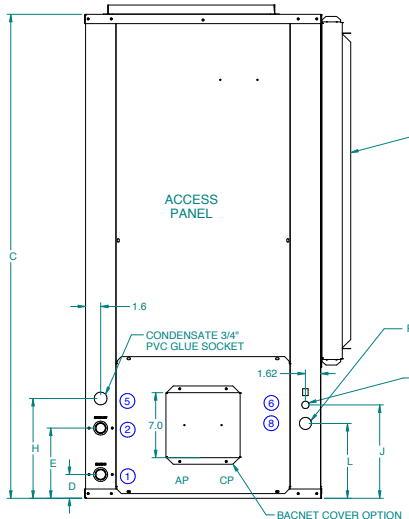
**TOP VIEW - RIGHT RETURN**



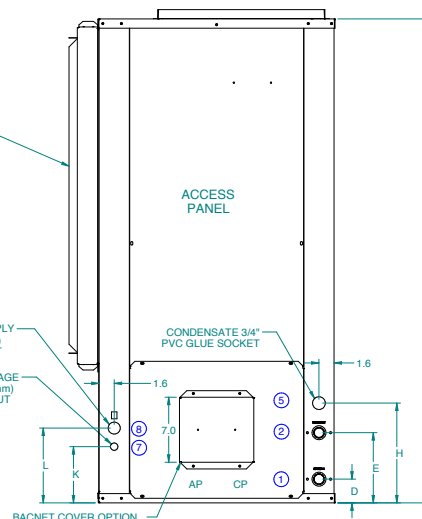
**TOP VIEW - LEFT RETURN**



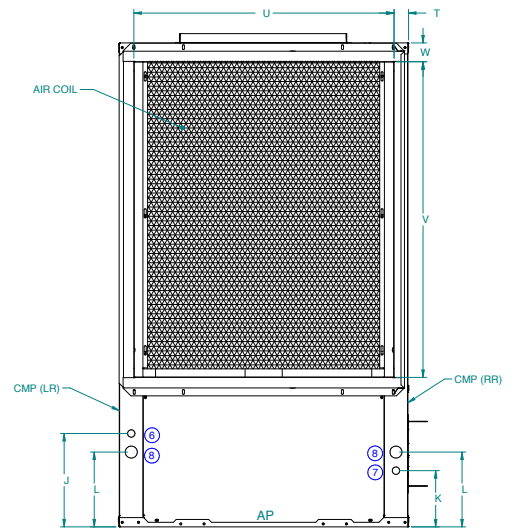
**ISOMETRIC VIEW - LEFT RETURN**



**FRONT VIEW - RIGHT RETURN**



**FRONT VIEW - LEFT RETURN**



**RIGHT VIEW - RIGHT RETURN  
 LEFT VIEW - LEFT RETURN**

## Vertical Dimensional Data cont.

Vertical Models		Overall Cabinet			Water Connections				Electrical Knockouts			Filter Rack Width
									6	7	8	
		J	K	L								
		A	B	C	D	E	H	Loop	1/2" cond	1/2" cond	1" cond	
		Width	Depth	Height*	In	Out	Condensate	Water FPT	Low Voltage	Low Voltage	Power Supply	M
006-012	in.	19.2	19.2	24.2	2.6	5.6	8.8	1/2"	7.4	3.4	5.4	2.2
	cm.	48.8	48.8	61.5	6.6	14.2	22.4	12.7 mm	18.8	8.6	13.7	5.6
015-018	in.	22.5	22.2	30.2	2.6	7.6	10.8	3/4"	9.4	5.4	7.4	2.2
	cm.	57.2	56.4	76.7	6.6	19.3	27.4	19.1 mm	23.9	13.7	18.8	5.6
024-030	in.	22.5	22.2	36.2	2.6	7.6	10.8	3/4"	9.4	5.4	7.4	2.2
	cm.	57.2	56.4	91.9	6.6	19.3	27.4	19.1 mm	23.9	13.7	18.8	5.6
036	in.	22.5	26.2	40.2	2.6	7.6	10.8	3/4"	10.1	6.1	8.1	2.2
	cm.	57.2	66.5	102.1	6.6	19.3	27.4	19.1 mm	25.7	15.5	20.6	5.6
042-048	in.	22.5	26.2	44.2	2.6	7.6	10.8	3/4"	10.1	6.1	8.1	2.2
	cm.	57.2	66.5	112.3	6.6	19.3	27.4	19.1 mm	25.7	15.5	20.6	5.6
060	in.	25.5	31.2	44.2	2.6	7.6	10.8	1"	10.1	6.1	8.1	2.2
	cm.	64.8	79.2	112.3	6.6	19.3	27.4	25.4 mm	25.7	15.5	20.6	5.6
070	in.	25.5	31.2	48.2	2.6	7.6	10.8	1"	10.1	6.1	8.1	2.2
	cm.	64.8	79.2	122.4	6.6	19.3	27.4	25.4 mm	25.7	15.5	20.6	5.6

Vertical Models		Discharge Connection duct flange installed (±0.10 in)					**Return Connection using deluxe filter rack (±0.10 in)				
		N	P	Q	R	S	T	U	V	W	
		Supply Width	Supply Depth					Return Depth	Return Height		
006-012	in.	10.0	10.0	4.6	4.4	7.8	2.4	14.3	10.1	2.0	
	cm.	25.4	25.4	11.7	11.2	19.8	6.1	36.3	25.7	5.1	
015-018	in.	14.0	14.0	4.1	4.3	7.7	2.1	18.1	14.0	2.0	
	cm.	35.6	35.6	10.4	10.9	19.6	5.3	46.0	35.6	5.1	
024-030	in.	14.0	14.0	4.1	4.3	7.7	2.1	18.1	20.0	2.0	
	cm.	35.6	35.6	10.4	10.9	19.6	5.3	46.0	50.8	5.1	
036	in.	14.0	14.0	6.1	4.5	7.7	2.1	22.1	22.1	2.0	
	cm.	35.6	35.6	15.5	11.4	19.6	5.3	56.1	56.1	5.1	
042-048	in.	18.0	18.0	4.1	2.1	3.9	2.1	22.1	26.1	2.0	
	cm.	45.7	45.7	10.4	5.3	9.9	5.3	56.1	66.3	5.1	
060	in.	18.0	18.0	6.6	4.6	6.3	1.6	28.1	26.0	2.0	
	cm.	45.7	45.7	16.8	11.7	16.0	4.1	71.4	66.0	5.1	
070	in.	18.0	18.0	6.6	4.6	6.3	1.6	28.1	30.0	2.0	
	cm.	45.7	45.7	16.8	11.7	16.0	4.1	71.4	76.2	5.1	

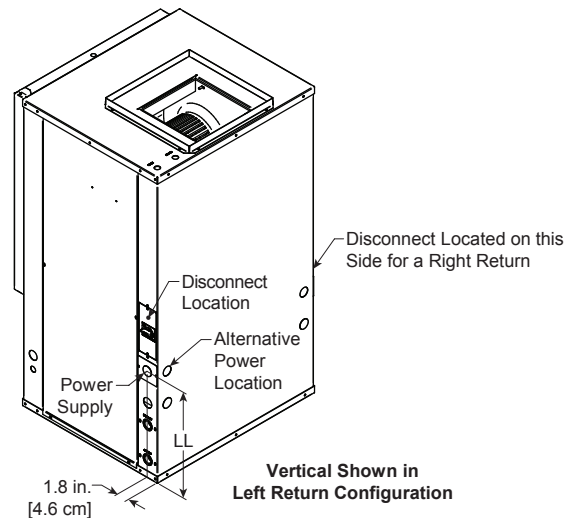
Condensate is 3/4" PVC female glue socket and is switchable from side to front. 4/30/24  
 \*Discharge flange is field installed and extends 1" (25.4 mm) from top of cabinet.  
 \*\*Vertical units shipped with standard 2" (field adjustable to 1") open application filter rack extending 2.2" from unit and is not suitable for duct connection. For ductable return connection applications, order the deluxe 2" (field adjustable to 1") duct collar/filter rack which extends 3.25" from the unit and is suitable for duct connections.

### Vertical Disconnect

When using disconnect, do not use dimension L from the standard vertical dimensional data. Use dimension LL from the vertical disconnect dimensional data.

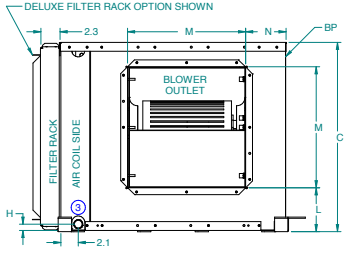
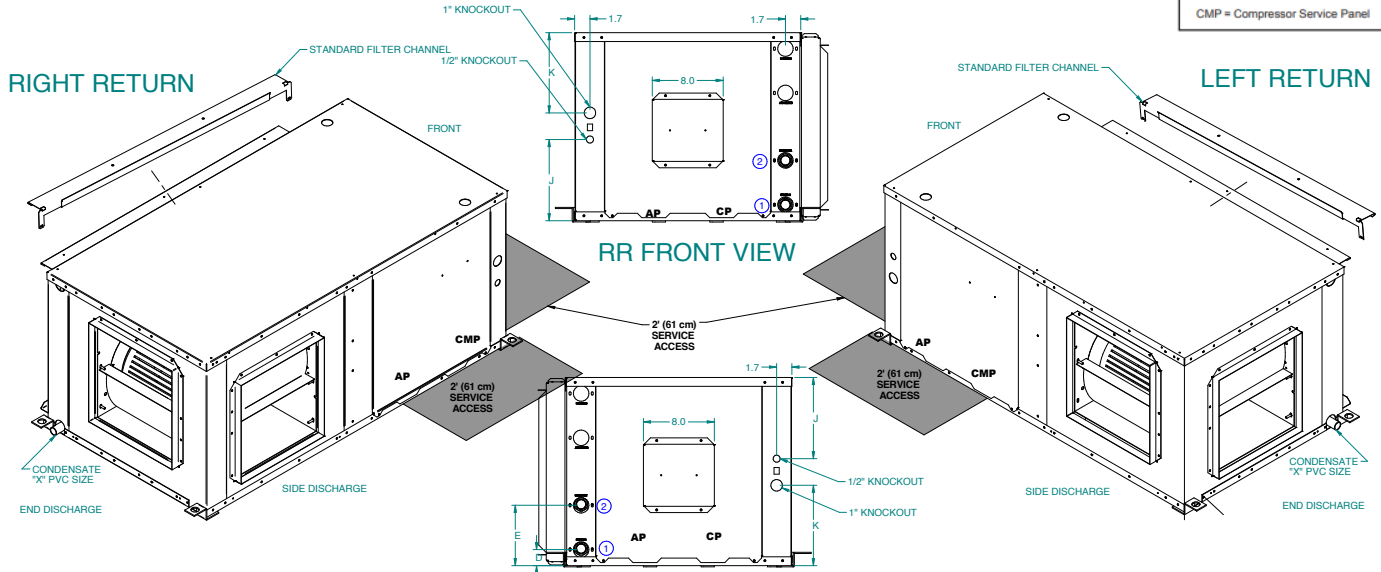
Vertical Models	LL
015-018	15.8 [40.1]
024-030	18.8 [47.8]
036	15.3 [38.9]
042-048	13.8 [35.1]
060	14.3 [36.3]
070	14.3 [36.3]

Dimensions in inches [cm]  
 \* Models 006-012 - Externally Mounted Disconnect  
 \*\*Vertical 041 - Disconnect not available

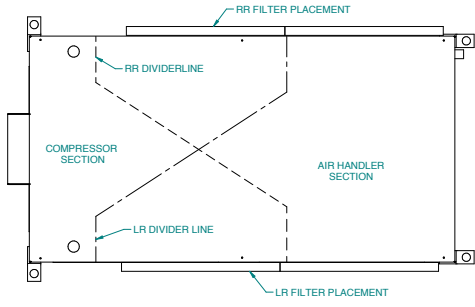


# Horizontal Dimensional Data cont.

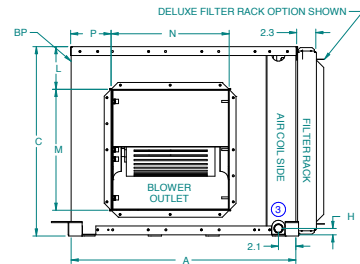
Legend	
AP	= Alternate Service Panel
BP	= Blower Service Panel
CP	= Control Access Panel
CMP	= Compressor Service Panel



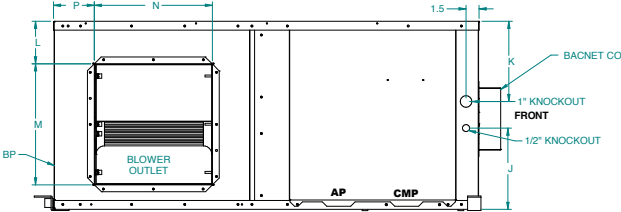
RIGHT RETURN END DISCHARGE



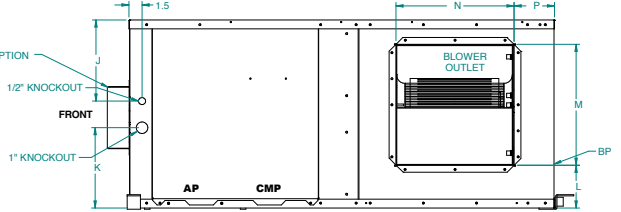
UNIT HANGER DETAIL



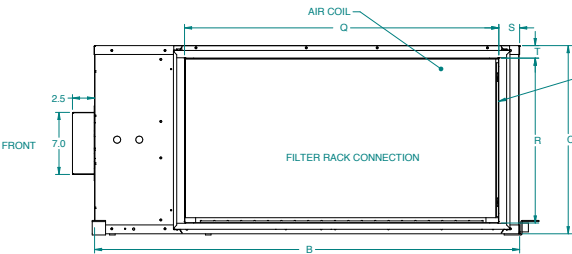
LEFT RETURN END DISCHARGE



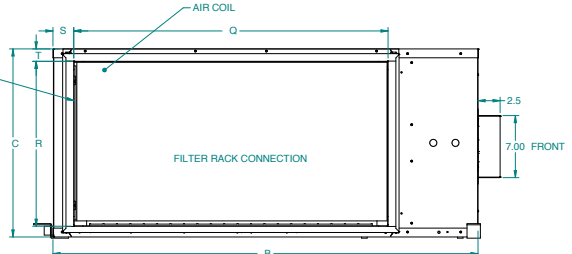
RIGHT RETURN SIDE DISCHARGE



LEFT RETURN SIDE DISCHARGE



RIGHT RETURN SIDE VIEW



LEFT RETURN SIDE VIEW

## Horizontal Dimensional Data cont.

Horizontal Models		Overall Cabinet			Water Connections				Electrical Knockouts	
		A	B	C	1	2	3	Loop	J	K
					D	E	H		1/2" cond	1" cond
Width	Depth	Height*	In	Out	Condensate	Water FPT	Low Voltage	Power Supply		
006-012	in.	19.2	35.0	12.9	1.8	4.8	4.5	1/2"	4.6	4.6
	cm.	48.8	88.9	32.8	4.6	12.2	11.4	12.70 mm	11.7	11.7
015-018	in.	22.5	35.0	17.2	1.8	6.8	0.8	3/4"	7.1	7.1
	cm.	57.2	88.9	43.7	4.6	17.3	2.0	19.05 mm	18.0	18.0
024-030	in.	22.5	42.0	17.2	1.8	6.8	0.8	3/4"	7.1	7.1
	cm.	57.2	106.7	43.7	4.6	17.3	2.0	19.05 mm	18.0	18.0
036	in.	22.5	42.0	19.2	1.8	6.8	0.8	3/4"	9.2	7.1
	cm.	57.2	106.7	48.8	4.6	17.3	2.0	19.05 mm	23.4	18.0
042-048	in.	22.5	45.0	19.2	1.8	6.8	0.8	3/4"	9.2	7.1
	cm.	57.2	114.3	48.8	4.6	17.3	2.0	19.05 mm	23.4	18.0
060	in.	25.5	48.0	21.2	1.8	6.8	0.8	1"	9.2	9.1
	cm.	64.8	121.9	53.8	4.6	17.3	2.0	25.4 mm	23.4	23.1
070	in.	25.5	53.0	21.2	1.8	6.8	0.8	1"	9.2	9.1
	cm.	64.8	134.6	53.8	4.6	17.3	2.0	25.4 mm	23.4	23.1

Horizontal Models		Discharge Connection duct flange installed (±0.10 in)				Return Connection using deluxe filter rack option (±0.10 in)				Unit Hanger Dimensions			PVC Size
		L	M	N	P	Q	R	S	T	U (A)	V (B)	W (C)	X
			Supply Width	Supply Depth		Return Depth	Return Height						
006-012	in.	3.2	8.0	10.0	2.7	22.5	10.3	2.4	1.4	35.8	21.8	18.1	1/2"
	cm.	8.1	20.3	25.4	6.9	57.2	26.2	6.1	3.6	90.9	55.4	46.0	1.3
015-018	in.	5.7	10.5	9.4	4.9	16.4	14.5	2.0	1.4	35.8	25.1	21.4	3/4"
	cm.	14.5	26.7	23.9	12.4	41.7	36.8	5.1	3.6	90.9	63.8	54.4	1.9
024-030	in.	5.7	10.5	9.4	4.9	23.4	14.5	2.0	1.4	42.8	25.1	21.4	3/4"
	cm.	14.5	26.7	23.9	12.4	59.4	36.8	5.1	3.6	108.6	63.8	54.4	1.9
036	in.	6.7	10.5	9.4	4.9	27.4	16.5	2.0	1.4	42.8	25.1	21.4	3/4"
	cm.	17.0	26.7	23.9	12.4	69.6	41.9	5.1	3.6	108.7	63.8	54.4	1.9
042-048	in.	4.2	13.6	13.2	2.4	30.4	16.5	2.0	1.5	45.8	25.1	21.4	3/4"
	cm.	10.7	34.5	33.5	6.1	77.2	41.9	5.1	3.8	116.3	63.8	54.4	1.9
060	in.	4.8	13.6	13.2	4.6	35.4	18.7	2.3	1.3	48.8	28.1	24.4	3/4"
	cm.	12.2	34.5	33.5	11.7	89.9	47.5	5.8	3.3	124.0	71.4	62.0	1.9
070	in.	4.8	13.6	13.2	4.6	40.4	18.5	2.3	1.4	53.8	28.1	24.4	3/4"
	cm.	12.2	34.5	33.5	11.7	102.6	47.0	5.8	3.6	136.7	71.4	62.0	1.9

Horizontal units shipped with standard 2" (field adjustable to 1") open application filter rack extending 2.2" from unit and is not suitable for duct connection.

5/7/24

For ductable return connection applications, order the deluxe 2" (field adjustable to 1") duct collar/filter rack which extends 3.25" from the unit and is suitable for duct connections.

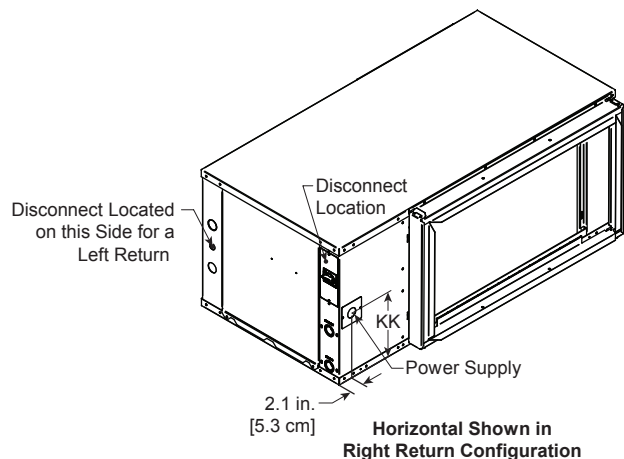
## Horizontal Disconnect

When using disconnect, do not use dimension K from the standard horizontal dimensional data. Use dimension KK from the horizontal disconnect dimensional data.

Horizontal Models	KK
015-018	8.2 [20.8]
024-030	8.2 [20.8]
036	9.2 [23.4]
042-048	9.2 [23.4]
060	11.2 [28.4]
070	10.2 [25.9]

Dimensions in inches [cm]

\* Models 006-012 - Externally Mounted Disconnect



## Physical Data

Model	Single Speed Models												
	006	009	012	015	018	024	030	036	042	048	060	070	
Compressor (1 each)	Rotary						Scroll						
Factory Charge R-454B, oz [kg] Vertical	26 [0.74]	22 [0.62]	24 [0.68]	28 [0.79]	30 [0.85]	30 [0.85]	32 [0.91]	46 [1.3]	48 [1.36]	52 [1.47]	62 [1.78]	62.8 [1.78]	
Factory Charge R-454B, oz [kg] Horizontal	21 [0.60]	23 [0.65]	22 [0.62]	30 [0.85]	28 [0.79]	32 [0.91]	38 [1.08]	44 [1.25]	52 [1.47]	52 [1.47]	62 [1.78]	80 [2.27]	
<b>Blower Motor &amp; Blower</b>													
Blower Motor Type/Speeds	VS ECM	Variable Speed (Constant Speed)			Variable Speed (Constant CFM)								
	5 Speed ECM	Not Available			5 Speed								
Blower Motor-hp [W]	VS ECM	1/10 [75]	1/10 [75]	1/10 [75]	1/2 [373]	1/2 [373]	1/2 [373]	1/2 [373]	1/2 [373]	1/2 [373]	1 [746]	1 [746]	
	5 Speed ECM	Not Available			1/2 [373]	1/2 [373]	1/2 [373]	1/2 [373]	1/2 [373]	1 [746]	1 [746]	1 [746]	1 [746]
Blower Wheel Size (Dia x W), in. [mm]	VS ECM	6 x 8 [152 x 203]	6 x 8 [152 x 203]	6 x 8 [152 x 203]	9 x 7 [229 x 178]	9 x 7 [229 x 178]	9 x 7 [229 x 178]	9 x 7 [229 x 178]	9 x 7 [229 x 178]	11 x 10 [279 x 254]	11 x 10 [279 x 254]	11 x 10 [279 x 254]	11 x 10 [279 x 254]
	5 Speed ECM	Not Available			9 x 7 [229 x 178]	9 x 7 [229 x 178]	9 x 7 [229 x 178]	9 x 7 [229 x 178]	9 x 7 [229 x 178]	11 x 10 [279 x 254]	11 x 10 [279 x 254]	11 x 10 [279 x 254]	11 x 10 [279 x 254]
<b>Coax and Water Piping</b>													
Water Connection Size - FPT - in [mm]	1/2" [12.7]	1/2" [12.7]	1/2" [12.7]	3/4" [19.1]	3/4" [19.1]	3/4" [19.1]	3/4" [19.1]	3/4" [19.1]	3/4" [19.1]	3/4" [19.1]	3/4" [19.1]	1" [25.4]	1" [25.4]
Coax & Piping Water Volume - gal [l]	0.4 [1.49]	0.4 [1.49]	0.4 [1.49]	0.4 [1.49]	0.4 [1.49]	0.4 [1.49]	0.75 [2.83]	0.9 [3.41]	0.9 [3.41]	1.25 [4.72]	1.5 [5.68]	1.5 [5.68]	
<b>Vertical</b>													
Air Coil Dimensions (H x W), in. [mm]	12 x 14 [305 x 356]	12 x 14 [305 x 356]	12 x 14 [305 x 356]	16 x 16 [406 x 406]	16 x 16 [406 x 406]	22 x 16 [559 x 406]	22 x 16 [559 x 406]	24 x 20 [610 x 508]	28 x 20 [711 x 508]	28 x 20 [711 x 508]	28 x 25 [711 x 635]	32 x 25 [813 x 635]	
Air Coil Total Face Area, ft2 [m2]	1.17 [0.11]	1.17 [0.11]	1.17 [0.11]	1.8 [0.17]	1.8 [0.17]	2.4 [0.2]	2.4 [0.2]	3.3 [0.307]	3.9 [0.362]	3.9 [0.362]	4.9 [0.455]	5.6 [0.520]	
Air Coil Tube Size, in [mm]	3/8 [9.5]	3/8 [9.5]	3/8 [9.5]	3/8 [9.5]	3/8 [9.5]	3/8 [9.5]	3/8 [9.5]	3/8 [9.5]	3/8 [9.5]	3/8 [9.5]	3/8 [9.5]	3/8 [9.5]	
Air Coil Number of rows	3	3	3	3	3	3	3	3	3	3	3	3	
Filter Standard - 1" [25mm] MERV4 Throwaway, in [mm]	12 x 16 [305 x 406]	12 x 16 [305 x 406]	12 x 16 [305 x 406]	16 x 20 [406 x 508]	16 x 20 [406 x 508]	22 x 20 [559 x 508]	22 x 20 [559 x 508]	24 x 24 [610 x 610]	28 x 24 [711 x 610]	28 x 24 [711 x 610]	28 x 30 [711 x 762]	32 x 30 [813 x 762]	
Filter Standard - 2" [51mm] Pleated MERV13 Throwaway, in [mm]	12 x 16 [305 x 406]	12 x 16 [305 x 406]	12 x 16 [305 x 406]	16 x 20 [406 x 508]	16 x 20 [406 x 508]	22 x 20 [559 x 508]	22 x 20 [559 x 508]	24 x 24 [610 x 610]	28 x 24 [711 x 610]	28 x 24 [711 x 610]	28 x 30 [711 x 762]	32 x 30 [813 x 762]	
<b>Horizontal</b>													
Air Coil Dimensions (H x W), in. [mm]	8 x 22 [203 x 559]	8 x 22 [203 x 559]	8 x 22 [203 x 559]	16 x 16 [406 x 406]	16 x 16 [406 x 406]	16 x 23 [406 x 584]	16 x 23 [406 x 584]	18 x 27 [457 x 686]	18 x 30 [457 x 762]	18 x 30 [457 x 762]	20 x 35 [508 x 889]	20 x 40 [508 x 1016]	
Air Coil Total Face Area, ft2 [m2]	1.22 [0.11]	1.22 [0.11]	1.22 [0.11]	1.8 [0.17]	1.8 [0.17]	2.6 [0.238]	2.6 [0.238]	2.9 [0.269]	3.8 [0.353]	3.8 [0.353]	4.9 [0.455]	5.6 [0.52]	
Air Coil Tube Size, in [mm]	3/8 [9.5]	3/8 [9.5]	3/8 [9.5]	3/8 [9.5]	3/8 [9.5]	3/8 [9.5]	3/8 [9.5]	3/8 [9.5]	3/8 [9.5]	3/8 [9.5]	3/8 [9.5]	3/8 [9.5]	
Air Coil Number of rows	3	3	3	3	3	3	3	3	3	3	3	3	
Filter Standard - 1" [25mm] MERV 4 Throwaway, in [mm]	12 x 25 [305 x 635]	12 x 25 [305 x 635]	12 x 25 [305 x 635]	16 x 20 [406 x 508]	16 x 20 [406 x 508]	16 x 25 [406 x 635]	16 x 25 [406 x 635]	2 -18 x 14 [457 x 356]	1 -18 x 18 [457 x 457] 1 -18 x 14 [457 x 356]	1 -18 x 18 [457 x 457] 1 -18 x 14 [457 x 356]	2 -18 x 20 [457 x 508]	1 -20 x 22 [508 x 559] 1 -20 x 20 [508 x 508]	
Filter Standard - 2" [51mm] Pleated MERV 13 Throwaway, in [mm]	12 x 25 [305 x 635]	12 x 25 [305 x 635]	12 x 25 [305 x 635]	16 x 20 [406 x 508]	16 x 20 [406 x 508]	16 x 25 [406 x 635]	16 x 25 [406 x 635]	18 x 29 [457 x 737]	18 x 32 [457 x 813]	18 x 32 [457 x 813]	20 x 37 [508 x 940]	1 -20 x 22 [508 x 559] 1 -20 x 20 [508 x 508]	

\* Not available at the time of publishing release

# Blower Performance Data

## 5-Speed ECM Motor

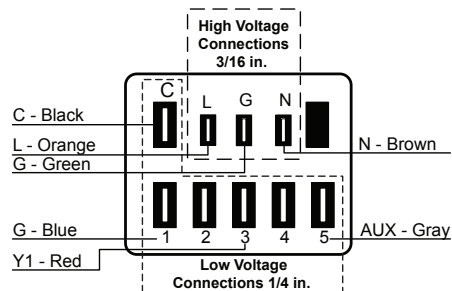
Model	Motor Spd	Motor Tap	Blower Size	Motor HP	Airflow (cfm) at External Static Pressure (in. wg)														
					0	0.05	0.10	0.15	0.20	0.25	0.30	0.35	0.40	0.45	0.50	0.60	0.70	0.90	1.00
<b>015</b>	High	5	9 x 7	1/2	915	895	880	865	850	830	815	805	795	775	750	730	695	-	-
	<b>Med High</b>	<b>4</b>			805	785	765	750	740	725	705	685	665	655	635	605	535	-	-
	Med	3			725	715	700	680	660	635	615	600	585	560	535	485	-	-	-
	Med Low	2			695	675	650	630	610	590	575	550	525	490	455	-	-	-	-
	Low	1			655	600	550	530	508	490	475	435	395	350	-	-	-	-	-
<b>018</b>	High	5	9 x 7	1/2	915	895	880	865	850	830	815	805	795	775	750	730	695	-	-
	<b>Med High</b>	<b>4</b>			805	785	765	750	740	725	705	685	665	655	635	605	535	-	-
	Med	3			725	715	700	680	660	635	615	600	585	560	535	485	-	-	-
	Med Low	2			695	675	650	630	610	590	575	550	525	490	455	-	-	-	-
	Low	1			655	600	550	530	508	490	475	435	395	350	-	-	-	-	-
<b>024</b>	High	5	9 x 7	1/2	1000	983	965	950	935	923	910	900	890	873	855	800	725	-	-
	<b>Med High</b>	<b>4</b>			905	888	870	860	850	833	815	805	795	775	755	740	705	-	-
	Med	3			855	838	820	800	780	773	765	745	725	715	705	670	580	-	-
	Med Low	2			790	773	755	743	730	710	690	675	660	643	625	570	-	-	-
	Low	1			615	600	585	565	545	523	500	468	435	408	380	-	-	-	-
<b>030</b>	High	5	9 x 7	1/2	1315	1293	1270	1243	1215	1183	1150	1120	1090	1055	1020	930	845	-	-
	<b>Med High</b>	<b>4</b>			1145	1130	1115	1105	1095	1080	1065	1053	1040	1013	985	905	820	-	-
	Med	3			1020	1008	995	978	960	950	940	923	905	895	885	850	795	-	-
	Med Low	2			980	963	945	935	925	908	890	878	865	848	830	805	780	-	-
	Low	1			795	778	760	738	715	705	695	678	660	650	640	575	530	-	-
<b>036</b>	High	5	9 x 7	1/2	1405	1380	1355	1333	1310	1275	1240	1208	1175	1135	1095	1015	895	-	-
	<b>Med High</b>	<b>4</b>			1275	1265	1255	1245	1235	1215	1195	1168	1140	1105	1070	985	875	-	-
	Med	3			1180	1163	1145	1135	1125	1110	1095	1085	1075	1060	1045	975	865	-	-
	Med Low	2			1125	1115	1105	1090	1075	1065	1055	1040	1025	1008	990	950	855	-	-
	Low	1			835	823	810	793	775	758	740	723	705	690	675	640	570	-	-
<b>042</b>	High	5	11 x 10	1	1805	1793	1780	1770	1760	1740	1720	1710	1700	1688	1675	1655	1635	1550	1475
	Med High	4			1695	1688	1680	1660	1640	1623	1605	1593	1580	1573	1565	1535	1505	1395	1300
	<b>Med</b>	<b>3</b>			1605	1593	1580	1560	1540	1523	1505	1493	1480	1470	1460	1420	1380	1205	1135
	Med Low	2			1510	1495	1480	1465	1450	1435	1420	1403	1385	1373	1360	1310	1250	1055	1010
	Low	1			1340	1323	1305	1283	1260	1245	1230	1213	1195	1175	1155	1040	915	-	-
<b>048</b>	High	5	11 x 10	1	2000	1990	1980	1968	1955	1940	1925	1920	1915	1910	1905	1880	1845	1655	1505
	Med High	4			1840	1833	1825	1810	1795	1785	1775	1770	1765	1755	1745	1715	1670	1540	1360
	<b>Med</b>	<b>3</b>			1755	1743	1730	1718	1705	1698	1690	1683	1675	1665	1655	1600	1555	1435	1300
	Med Low	2			1645	1630	1615	1605	1595	1583	1570	1560	1550	1530	1510	1475	1420	1265	1180
	Low	1			1430	1413	1395	1385	1375	1358	1340	1320	1300	1275	1250	1170	1060	930	875
<b>060</b>	High	5	11 x 10	1	2455	2440	2425	2413	2400	2390	2380	2365	2350	2335	2320	2295	2245	2085	2015
	Med High	4			2260	2250	2240	2223	2205	2195	2185	2168	2150	2133	2115	2085	2045	1975	1930
	<b>Med</b>	<b>3</b>			2140	2123	2105	2095	2085	2065	2045	2033	2020	2005	1990	1960	1915	1835	1790
	Med Low	2			2010	1995	1980	1963	1945	1935	1925	1908	1890	1873	1855	1825	1780	1690	1645
	Low	1			1815	1803	1790	1775	1760	1743	1725	1705	1685	1665	1645	1600	1565	1470	1410
<b>070</b>	High	5	11 x 10	1	2500	2495	2490	2473	2455	2438	2420	2405	2390	2363	2335	2325	2280	2120	1995
	Med High	4			2300	2295	2290	2270	2250	2233	2215	2200	2185	2168	2150	2115	2080	1990	1915
	<b>Med</b>	<b>3</b>			2175	2163	2150	2138	2125	2100	2075	2060	2045	2030	2015	1980	1945	1860	1820
	Med Low	2			2040	2028	2015	2000	1985	1965	1945	1930	1915	1898	1880	1850	1805	1725	1685
	Low	1			1850	1833	1815	1800	1785	1765	1745	1728	1710	1683	1655	1615	1580	1475	1300

Factory settings are in Bold

Air flow values are with dry coil and standard 1" filter

4/30/24

### 5-Speed ECM Motor Connections



## Blower Performance Data cont.

Variable speed ECM blower motors have 12 selectable speeds and are factory set for optimum performance. When applicable, the speed settings may also be adjusted through the Building Automation System (BAS).



**CAUTION: Disconnect all power before performing this operation.**

### Variable Speed Constant Speed 006-012 Models

Fan Speed	Fan RPM							
		0.0	0.1	0.2	0.3	0.4	0.5	0.6
1								
2	420							
3	550	115	65					
4	740	165	90					
5	900	225	170	140				
6	1075	280	225	160				
7	1200	320	275	225	160			
8	1330	360	320	275	225	165		
9	1485	420	380	345	295	250		
10	1650	480	440	400	365	330	305	
11	1750			450	420	385	355	305
12	1800							

### Variable Speed ECM Fan Performance

Model	Max ESP	Blower Size	Motor hp	Air Flow Dip Switch Settings											
				1	2	3	4	5	6	7	8	9	10	11	12
015	0.50	9 x 7	1/2	300	400 L	<b>500</b>	<b>600</b> M	<b>700</b> H	<b>800</b>						
018	0.50	9 x 7	1/2	300	400 L	<b>500</b>	<b>600</b> M	<b>700</b> H	<b>800</b>						
024	0.50	9 x 7	1/2		400 L	500	600 M	<b>700</b> H	<b>800</b>	<b>900</b>	<b>1000</b>	<b>1100</b>			
030	0.50	9 x 7	1/2		400	500 L	600	<b>700</b> M	<b>800</b>	<b>900</b>	<b>1000</b> H	<b>1100</b>			
036	0.50	9 x 7	1/2		400	500	600 L	700	<b>800</b>	<b>900</b> M	<b>1000</b>	<b>1100</b> H	<b>1200</b>		
042	0.50	11 x 10	1/2	500	600	700 L	875	<b>1050</b>	<b>1150</b> M	<b>1250</b>	<b>1325</b>	<b>1375</b> H	<b>1475</b>	<b>1550</b>	
048	0.50	11 x 10	1/2	500	600	700	875 L	1050	1150	<b>1250</b>	<b>1325</b> M	<b>1375</b>	<b>1475</b>	<b>1550</b> H	<b>1600</b>
060	0.75	11 x 10	1	600	800	1000 L	1300	<b>1500</b> M	<b>1750</b>	<b>1950</b> H	<b>2100</b>	<b>2200</b>	<b>2300</b>		
070	0.75	11 x 10	1	600	800	1000 L	1300	<b>1500</b> M	<b>1750</b>	<b>1950</b>	<b>2100</b> H	<b>2200</b>	<b>2300</b>		

4/30/24

Factory settings are at recommended L-M-H DIP switch locations  
 CFM is controlled within ±5% up to the maximum ESP  
 M-H settings MUST be located within boldface CFM range  
 Max ESP includes allowance for wet coil and standard filter  
 Lowest and Highest DIP switch settings are assumed to be L and H respectively

## Blower Performance Data cont.

### Setting Blower Speed - Variable Speed ECM

The ABC board's Yellow Config LED will flash the current variable speed ECM blower speed selections for low, med, and high continuously with a short pause in between. The speeds can also be confirmed with the AID Tool under the Setup/ECM Setup screen. The variable speed ECM blower motor speeds can be field adjusted with or without using an AID Tool.

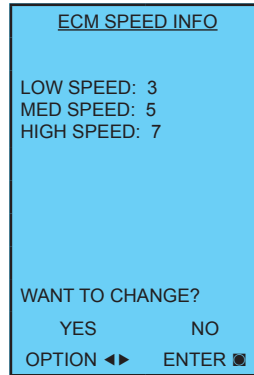
### Variable Speed ECM Setup without an AID Tool

The blower speeds for Low (G only), Med (Y1), and High (Y2/Aux) can be adjusted directly at the Aurora ABC board which utilizes the push button (SW1) on the ABC board. This procedure is outlined in the Variable Speed ECM Configuration Mode portion of the Aurora 'Base' Control System section.

### Variable Speed ECM Setup with an AID Tool

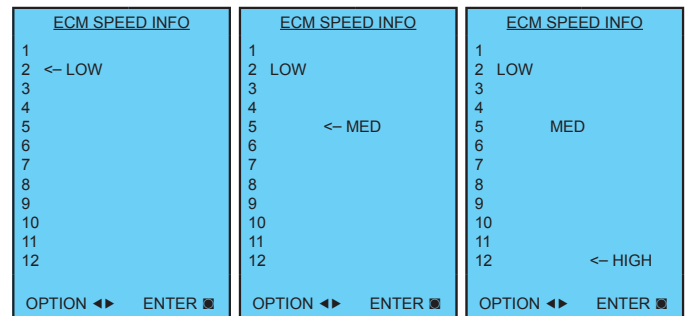
A much easier method utilizes the AID Tool to change the airflow using the procedure below. First navigate to the Setup screen and then select ECM Setup. This screen displays the current variable speed ECM settings. It allows the technician to enter the setup screens to change the variable speed ECM settings. Change the highlighted item using the ◀ and ▶ buttons and then press the ◼ button to select the item.

### Variable Speed ECM Setup with an AID Tool cont.



Selecting YES will enter variable speed ECM speed setup, while selecting NO will return to the previous screen.

**Variable Speed ECM Speed Setup** - These screens allow the technician to select the low, medium, and high blower speed for the variable speed ECM blower motor. Change the highlighted item using the ▲ and ▼ buttons. Press the ◼ button to select the speed.



After the high speed setting is selected the AID Tool will automatically transfer back to the ECM Setup screen.

## Unit Startup

### Before Powering Unit, Check The Following:

**NOTE:** Remove and discard the compressor shipping bolts. The bolts can then be discarded.

- High voltage is correct and matches nameplate.
- Fuses, breakers and wire size correct.
- Low voltage wiring complete.
- Piping completed and water system cleaned and flushed.
- Air is purged from closed loop system.
- Isolation valves are open, water control valves or loop pumps wired.
- Condensate line open and correctly pitched.
- Transformer switched to 208V if applicable.
- Dip switches are set correctly.
- Blower rotates freely – foam shipping support has been removed.
- Blower speed correct.
- Air filter/cleaner is clean and in position.
- Service/access panels are in place.
- Return air temperature is between 50-80°F heating and 60-95°F cooling.
- Check air coil cleanliness to insure optimum performance. Clean as needed according to maintenance guidelines. To obtain maximum performance the air coil should be cleaned before startup. A 10-percent solution of dishwasher detergent and water is recommended for both sides of coil, a thorough water rinse should follow.

### Startup Steps

**NOTE:** Complete the Equipment Start-Up/Commissioning Check Sheet during this procedure. Refer to thermostat operating instructions and complete the startup procedure.

1. Initiate a control signal to energize the blower motor. Check blower operation.
2. Initiate a control signal to place the unit in the cooling mode. Cooling setpoint must be set below room temperature.
3. Cooling will energize after a time delay. Check for correct rotation of scroll compressors in 3 phase applications. Incorrect rotation will cause low refrigerant pressures and possibly unusual noise. Switch any two power leads at the compressor or contactor to reverse rotation.
4. Be sure that the compressor and water control valve or loop pump(s) are activated.
5. Verify that the water flow rate is correct by measuring the pressure drop through the heat exchanger using the P/T plugs and comparing to the pressure drop table.
6. Check the temperature of both the supply and discharge water (Refer to Operating Parameters tables).
7. Check for an air temperature drop of 15°F to 25°F across the air coil, depending on the blower speed and entering water temperature.
8. Decrease the cooling set point several degrees and verify high-speed blower operation (variable speed ECM only).
9. Adjust the cooling setpoint above the room temperature and verify that the compressor and water valve or loop pumps deactivate.
10. Initiate a control signal to place the unit in the heating mode. Heating set point must be set above room temperature.
11. Heating will energize after a time delay.
12. Check the temperature of both the supply and discharge water (Refer to Unit Operating Parameters tables).
13. Check for an air temperature rise of 20°F to 35°F across the air coil, depending on the blower speed and entering water temperature.
14. If auxiliary electric heaters are installed, increase the heating setpoint until the electric heat banks are sequenced on. All stages of the auxiliary heater should be sequenced on when the thermostat is in the Emergency Heat mode. Check amperage of each element.
15. Adjust the heating setpoint below room temperature and verify that the compressor and water valve or loop pumps deactivate.
16. During all testing, check for excessive vibration, noise or water leaks. Correct or repair as required.
17. Set system to desired normal operating mode and set temperature to maintain desired comfort level.
18. Instruct the owner/operator in the proper operation of the thermostat and system maintenance.

**NOTE:** Be certain to fill out and forward all warranty registration papers.

## Refrigerant Removal and Evacuation

When breaking into the refrigerant circuit to make repairs – or for any other purpose conventional procedures shall be used. However, for flammable refrigerants it is important that best practice be followed, since flammability is a consideration. The following procedure shall be adhered to:

- Safely remove refrigerant following local and national regulations;
- Evacuate;
- Purge the circuit with inert gas (optional for A2L);
- Evacuate (optional for A2L);
- Continuously flush or purge with inert gas when using flame to open circuit; and
- Open the circuit.

The refrigerant charge shall be recovered into the correct recovery cylinders if venting is not allowed by local and national codes. For appliances containing flammable refrigerants, the system shall be purged with oxygen-free nitrogen to render the appliance safe for flammable refrigerants.

This process might need to be repeated several times. Compressed air or oxygen shall not be used for purging refrigerant systems. For appliances containing flammable refrigerants, refrigerants purging shall be achieved by breaking the vacuum in the system with oxygen-free nitrogen and continuing to fill until the working pressure is achieved, then venting to atmosphere, and finally pulling down to a vacuum (optional for A2L). This process shall be repeated until no refrigerant is within the system (optional for A2L). When the final oxygen-free nitrogen charge is used, the system shall be vented down to atmospheric pressure to enable work to take place. The outlet for the vacuum pump shall not be close to any potential ignition sources, and ventilation shall be available.

## Charging procedures

In addition to conventional charging procedures, the following requirements shall be followed.

- Ensure that contamination of different refrigerants does not occur when using charging equipment.
- Hoses or lines shall be as short as possible to minimise the amount of refrigerant contained in them.
- Cylinders shall be kept in an appropriate position according to the instructions.
- Ensure that the REFRIGERATING SYSTEM is earthed prior to charging the system with refrigerant.
- Label the system when charging is complete (if not already).
- Extreme care shall be taken not to overfill the REFRIGERATING SYSTEM.

Prior to recharging the system, it shall be pressure-tested with the appropriate purging gas. The system shall be leak-tested on completion of charging but prior to commissioning. A follow up leak test shall be carried out prior to leaving the site.

## Refrigerant Recovery

When removing refrigerant from a system, either for servicing or decommissioning, it is recommended good practice that all refrigerants are removed safely.

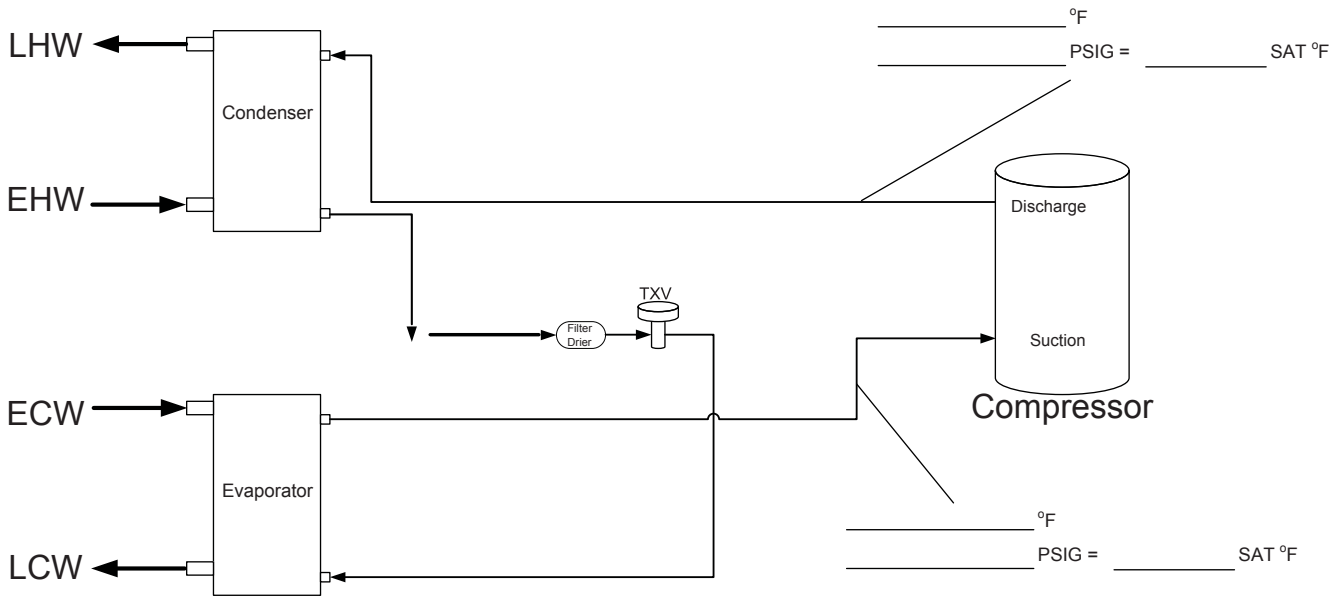
When transferring refrigerant into cylinders, ensure that only appropriate refrigerant recovery cylinders are employed. Ensure that the correct number of cylinders for holding the total system charge is available. All cylinders to be used are designated for the recovered refrigerant and labelled for that refrigerant (i.e. special cylinders for the recovery of refrigerant). Cylinders shall be complete with pressure-relief valve and associated shut-off valves in good working order. Empty recovery cylinders are evacuated and, if possible, cooled before recovery occurs.

The recovery equipment shall be in good working order with a set of instructions concerning the equipment that is at hand and shall be suitable for the recovery of the flammable refrigerant. If in doubt, the manufacturer should be consulted. In addition, a set of calibrated weighing scales shall be available and in good working order. Hoses shall be complete with leak-free disconnect couplings and in good condition.

The recovered refrigerant shall be processed according to local legislation in the correct recovery cylinder, and the relevant waste transfer note arranged. Do not mix refrigerants in recovery units and especially not in cylinders.

If compressors or compressor oils are to be removed, ensure that they have been evacuated to an acceptable level to make certain that flammable refrigerant does not remain within the lubricant. The compressor body shall not be heated by an open flame or other ignition sources to accelerate this process. When oil is drained from a system, it shall be carried out safely.

# Refrigeration Cycle Analysis



Unit Amp Draw \_\_\_\_\_  
 Line Voltage \_\_\_\_\_  
 Subcooling \_\_\_\_\_  
 Superheat \_\_\_\_\_

**Note:** Do not attach refrigerant gauges unless a problem is suspected!

Entering Hot Water	_____ °F
Entering Water Pressure	_____ PSIG
Leaving Hot Water	_____ °F
Leaving Water Pressure	_____ PSIG
Entering Chilled Water	_____ °F
Entering Water Pressure	_____ PSIG
Leaving Chilled Water	_____ °F
Leaving Water Pressure	_____ PSIG

## Notes

## Revision Guide

<b>Pages:</b>	<b>Description:</b>	<b>Date:</b>	<b>By:</b>
All	Document Creation	15 April 2024	SW
19	Removed PSC Blower performance data	03 Oct 2024	MA
18	Update Physical Data Table	07 Jan 2025	SW
2	Add Freeze Protection Warning	20 Feb 2025	SW
3-4	Update Charge Weight	13 Mar 2025	SW
1	Update Safety Listing	13 Mar 2025	SW
1, 28	Eco-Z to Eco-Y transition	05 Aug 2025	MA
Misc	Part Number Rev	30 Sept 2025	SW
18, 20	Update Blower Performance, Physical Data	13 April 2026	SW
Misc	Part Number Rev B	13 April 2026	SW



Product: LX Compact  
Type: Geothermal/Water Source Heat Pumps  
Size: 0.5-6 Ton

Document Type: Installation Guide  
Part Number: IGV3-0007YB  
Release Date: 04-26

# INSTALLATION GUIDE

## LX Compact Series



R-454B  
60Hz

IGV3-0007YB

Informations générales sur l'installation .....	2
Plaque signalétique.....	6
Qualité de l'eau .....	11
Raccords électriques.....	12
Données dimensionnelles.....	14
Données physiques.....	18
Rendement du ventilateur.....	19
Démarrage de l'unité.....	22
Retrait et évacuation du réfrigérant.....	23
Procédures de chargement.....	23
Récupération du réfrigérant.....	24
Analyse du cycle de réfrigération.....	25
Guide de révision .....	27

### AVERTISSEMENT

**AVERTISSEMENT : Avant d'effectuer toute opération d'entretien ou de maintenance du système, coupez l'alimentation principale de l'unité. La décharge électrique peut provoquer de graves blessures.**

**AVERTISSEMENT : Tous les produits fabricant sont conçus, testés et fabriqués dans le respect de l'édition la plus récente, publiée et disponible, de la norme UL 60335-2-40 relative à la certification de la sécurité électrique. Tous les raccords électriques doivent être conformes aux normes du code national de l'électricité (NEC) et/ou à tout autre code local applicable à l'installation.**

**AVERTISSEMENT : Seul le personnel autorisé par l'usine est habilité à procéder au démarrage, au test de vérification et à la mise en service de cette unité.**

**INSTALLATEUR : Veuillez prendre le temps de lire et de comprendre ces instructions avant toute installation. L'installateur est tenu de remettre une copie de ce manuel au propriétaire.**

### Définition des avertissements et des symboles

 <b>DANGER</b>	Indique une situation entraînant des blessures graves ou mortelles.
 <b>AVERTISSEMENT</b>	Indique une situation qui pourrait entraîner des blessures graves ou mortelles.
 <b>ATTENTION</b>	Indique une situation qui pourrait entraîner des blessures légères ou modérées.
 <b>AVIS</b>	Indique une situation qui pourrait endommager l'équipement ou la propriété.

### Pour l'utilisateur

#### AVERTISSEMENT

Cet appareil ne doit pas être utilisé par des personnes (y compris les enfants) ayant des capacités physiques, sensorielles ou mentales réduites, ou n'ayant ni expérience ni compétence nécessaire, à moins que celles-ci ne bénéficient d'une surveillance ou d'instructions concernant l'utilisation de l'appareil de la part d'une personne responsable chargée de veiller à leur sécurité.

Les enfants doivent être sous surveillance afin de s'assurer qu'ils ne jouent pas avec l'appareil.

Gardez ce manuel dans un endroit sûr afin de permettre à votre technicien de disposer des informations nécessaires.

### AVIS

**AVIS : Pour éviter d'endommager l'équipement, ne laissez pas le système rempli dans un bâtiment sans chauffage par temps froid, à moins de prévoir des niveaux d'antigel adéquats pour la protection contre le gel. En effet, les échangeurs de chaleur ne se vident pas complètement et gèlent s'ils ne sont pas protégés, ce qui peut entraîner des dommages permanents.**



Tous les modèles de la série LX Compact de 0,5 à 6 tonnes sont homologués pour la sécurité et conformes aux normes UL 60335-1 et 60335-2-40, et certifiés CSA STDSC22.2 60335-1 et 60335-2-40 par ETL.

Performances homologuées par l'AHRI conformément à la norme ASHRAE/ANSI/AHRI/ISO 13256-1.

## Informations générales sur l'installation

**AVIS : N'installez pas les unités dans un environnement corrosif ou dans des endroits soumis à des températures extrêmes ou à l'humidité élevée. Les conditions corrosives et des températures extrêmes ou à l'humidité élevée peuvent réduire de manière significative le rendement, la fiabilité et la durée de vie de l'appareil.**

**AVIS : Il doit y avoir un espace libre minimal de 61 cm (24 po) pour accéder au panneau d'accès avant.**

**AVIS : Pour éviter d'endommager le matériel, N'UTILISEZ PAS ces unités comme source de chauffage ou de refroidissement pendant le processus de construction. Les composants mécaniques et les filtres peuvent rapidement être obstrués par la saleté et les débris de construction, ce qui peut endommager le système et annuler la garantie du produit.**

### Pour l'installateur

Si vous n'êtes PAS certain de savoir comment installer ou faire fonctionner l'unité, contactez votre fournisseur.

L'installation et l'entretien des appareils de climatisation et de chauffage peuvent être dangereux en raison de la pression du système et des composants électriques. Seul un personnel formé et qualifié est habilité à procéder à l'installation, à la réparation ou à l'entretien des appareils de chauffage et de climatisation. Lors d'une intervention sur un appareil de chauffage ou de climatisation, veillez à respecter les précautions indiquées dans la documentation, les étiquettes apposées sur l'appareil et les autres mesures de sécurité éventuellement applicables.

Ce manuel contient des informations spécifiques sur la qualification requise du personnel pour les opérations de maintenance, d'entretien et de réparation. Toute procédure de travail touchant les moyens de sécurité ne doit être effectuée que par des personnes compétentes.

Voici quelques exemples de ces procédures de travail :

- Ouvrir le circuit frigorifique.
- Ouvrir des composants scellés ou des boîtiers ventilés.

Respectez tous les codes de sécurité. Portez des lunettes de sécurité et des gants de travail. Utilisez un chiffon mouillé pour toute opération de brasage. Ayez un extincteur à disposition pour toute opération de brasage. Suivez toutes les procédures pour rester en conformité avec les réglementations nationales relatives aux gaz.

Avant de commencer à travailler sur des systèmes contenant des RÉFRIGÉRANTS INFLAMMABLES, des contrôles de sécurité sont nécessaires pour s'assurer que le risque d'inflammation est minimisé. Les travaux doivent être entrepris selon une procédure contrôlée de manière à minimiser le risque de présence de gaz ou de vapeur inflammable pendant l'exécution des travaux. Le personnel de maintenance et les autres personnes travaillant dans la zone locale doivent être informés de la nature des travaux effectués. Les travaux dans des espaces confinés doivent être évités.

La zone doit être contrôlée à l'aide d'un détecteur de réfrigérant approprié avant et pendant le travail, afin de s'assurer que le technicien est conscient de la présence d'atmosphères potentiellement toxiques ou inflammables. Assurez-vous que le matériel de détection des fuites utilisé convient à une utilisation avec tous les réfrigérants applicables, c'est-à-dire qu'il ne projette pas d'étincelles, qu'il est correctement scellé et intrinsèquement sûr.

Si des travaux à chaud doivent être effectués sur le matériel de réfrigération ou toute pièce associée, un matériel d'extinction d'incendie approprié doit être à portée de main. Gardez un extincteur à poudre sèche ou à CO<sub>2</sub> à proximité de la zone de chargement.

Aucune personne effectuant des travaux sur un SYSTÈME FRIGORIFIQUE impliquant l'exposition d'une tuyauterie ne doit utiliser des sources d'inflammation de manière à présenter un risque d'incendie ou d'explosion. Toutes les sources d'inflammation possibles, y compris l'usage de la cigarette, doivent être maintenues suffisamment loin du site d'installation,

de réparation, de retrait et d'élimination, lorsque du réfrigérant peut éventuellement être libéré dans l'espace environnant. Avant de commencer le travail, la zone autour du matériel doit être inspectée pour s'assurer qu'il n'y a pas de risques d'inflammation. Des panneaux « Interdiction de fumer » doivent être affichés.

Lorsque des composants électriques sont remplacés, ils doivent convenir à l'usage prévu et aux spécifications. Les directives d'entretien et de maintenance du fabricant doivent être respectées en tout temps. En cas de doute, consultez le service du soutien technique du fabricant pour obtenir de l'aide.

Les contrôles suivants doivent être appliqués aux installations utilisant des RÉFRIGÉRANTS INFLAMMABLES :

- la CHARGE RÉELLE DE FRIGORIGÈNE est conforme à la taille de la salle dans laquelle les pièces contenant le réfrigérant sont installées;
- le matériel et les sorties de ventilation fonctionnent correctement et ne sont pas obstrués;
- si un circuit frigorifique indirect est utilisé, le circuit secondaire doit être contrôlé pour vérifier la présence de réfrigérant;
- les mentions du matériel demeurent visibles et lisibles. (les mentions et signes illisibles doivent être corrigés);
- les tuyaux ou composants de refroidissement sont installés dans un endroit où ils ne risquent pas d'être exposés à une substance susceptible de corroder les composants contenant du réfrigérant, à moins que les composants ne soient construits en matériaux intrinsèquement résistants à la corrosion ou convenablement protégés contre cette corrosion.

### AVERTISSEMENT

**Si l'appareil se verrouille sur E5 : PROTECTION CONTRE LE GEL FP1. L'appareil doit reposer pendant 5 heures avant d'être redémarré.**

### Instructions pour le matériel utilisant le réfrigérant R-454B

#### AVERTISSEMENT

- **Ne percez ou ne brûlez PAS.**
- **N'utilisez pas d'autres moyens que ceux recommandés par le fabricant pour accélérer le processus de dégivrage ou pour nettoyer le matériel.**
- **Sachez que les réfrigérants pourraient être inodores.**

#### AVERTISSEMENT

- **L'appareil doit être entreposé de manière à prévenir les dommages mécaniques et dans une pièce où il n'y a pas de sources d'inflammation en continu (p. ex., des flammes nues, un appareil au gaz ou un appareil de chauffage électrique en marche).**

## Informations générales sur l'installation

### AVERTISSEMENT

**Zone ventilée : Assurez-vous que la zone est à découvert ou qu'elle est correctement ventilée avant d'intervenir dans le système ou de réaliser tout travail à chaud. Un certain degré de ventilation devrait continuer pendant la période pendant laquelle le travail est effectué. La ventilation doit disperser en toute sécurité le réfrigérant libéré et l'expulser de préférence. Maintenez la zone de ventilation dégagée!**

### AVERTISSEMENT

**N'UTILISEZ PAS de sources potentielles d'inflammation pour rechercher ou détecter des fuites de réfrigérant. Il ne faut pas utiliser de lampe haloïde (ou tout autre détecteur utilisant une flamme nue).**

Les méthodes de détection de fuites suivantes sont jugées acceptables pour tous les systèmes frigorifiques. Des détecteurs électroniques de fuites peuvent être utilisés pour détecter les fuites de réfrigérant, mais dans le cas de RÉFRIGÉRANTS INFLAMMABLES, la sensibilité pourrait ne pas être adéquate ou nécessiter un nouvel étalonnage. (Le matériel de détection doit être étalonné dans une zone exempte de réfrigérant.) Assurez-vous que le détecteur n'est pas une source potentielle d'inflammation et qu'il convient au réfrigérant utilisé. Le matériel de détection de fuites doit être réglé à un pourcentage de la LIL du réfrigérant et doit être étalonné en fonction du réfrigérant utilisé, et le pourcentage approprié de gaz (25 % maximum) doit être confirmé. Les liquides de détection de fuites peuvent également être utilisés avec la plupart des réfrigérants, mais l'utilisation de détergents contenant du chlore doit être évitée parce que le chlore peut réagir avec le réfrigérant et corroder la tuyauterie en cuivre. REMARQUE : Les exemples de liquides de détection de fuites sont la méthode des bulles, les agents de la méthode fluorescente si une fuite est suspectée, les flammes nues doivent être enlevées/éteintes. En cas de fuite de réfrigérant nécessitant une soudure, tout le réfrigérant doit être récupéré du système ou isolé (au moyen de vannes d'isolement) dans une partie du système éloignée de la fuite. Le retrait du réfrigérant doit suivre la procédure décrite dans ce manuel.

## Site d'installation

L'altitude maximale de cet équipement ne doit pas dépasser 3 000 m (9 843 pi) et ne doit pas être installé à une altitude supérieure. Il doit être uniquement installé dans des endroits interdits d'accès au public.

### AVERTISSEMENT

**Pour les appareils utilisant des réfrigérants A2L reliés par un réseau de conduits d'air à une ou plusieurs salles, seuls les dispositifs auxiliaires approuvés par le fabricant de l'appareil ou déclarés appropriés au réfrigérant doivent être installés dans le réseau de gaines relié. Le fabricant doit lister dans les instructions tous les dispositifs auxiliaires approuvés par fabricant et le numéro de modèle à utiliser avec l'appareil spécifique si ces dispositifs sont susceptibles de devenir une source d'inflammation.**

## Espace d'installation requis

REMARQUE : Les équipements dont la charge de réfrigérant est inférieure à 63 oz n'ont pas d'exigence de surface au sol minimale et ne nécessitent pas de capteur de détection de fuite de réfrigérant.

Le capteur peut être ajouté en tant que fonctionnalité.

### AVERTISSEMENT

**Le matériel contenant du réfrigérant R-454B doit être installé, utilisé et entreposé dans une salle dont la surface de plancher est plus grande que la surface définie dans le tableau « Surface de plancher minimale » en fonction de la charge totale de réfrigérant dans le système. Cette exigence s'applique aux équipements intérieurs avec ou sans capteur de fuite de réfrigérant installé en usine.**

### ATTENTION

**Cet équipement nécessite des raccordements à une source d'alimentation en eau. Voir la section « Recommandations pour la qualité de l'eau » de ce manuel pour plus d'informations sur la qualité de l'eau requise pour cette opération. Si une source d'eau potable est utilisée pour l'alimentation en eau de cet appareil, la source d'alimentation en eau doit être protégée contre le siphonnement à rebours par l'équipement.**

### AVERTISSEMENT

**Ce matériel est livré avec un dispositif de détection de réfrigérant installé en usine qui est capable de déterminer sa fin de vie utile spécifiée et les instructions de remplacement. Les capteurs de réfrigérant des systèmes de détection de réfrigérant ne doivent être remplacés que par des capteurs spécifiés par le fabricant de l'appareil.**

### AVERTISSEMENT

**Prenez les précautions suffisantes en cas de fuite de réfrigérant. En cas de fuite de gaz réfrigérant, ventilez immédiatement la zone. RISQUES POSSIBLES : Des concentrations excessives de réfrigérant dans une salle fermée peuvent entraîner un manque d'oxygène.**

### AVERTISSEMENT

**Récupérez TOUJOURS le réfrigérant. NE LE REJETEZ PAS directement dans l'environnement. Suivez minutieusement les instructions de manipulation conformément aux réglementations nationales.**

## Informations générales sur l'installation : Détection et atténuation des fuites de réfrigérant

### ! AVERTISSEMENT

**Assurez-vous que le câblage ne sera pas soumis à l'usure, à la corrosion, à une pression excessive, à des vibrations, à des bords tranchants ou à tout autre effet nocif de l'environnement. La vérification doit également tenir compte des effets du vieillissement ou des vibrations continues provenant de sources telles que les compresseurs ou les ventilateurs.**

### Détermination de la superficie minimale du plancher

Déterminez la charge totale de réfrigérant dans le système. Dans les systèmes emballés de thermopompes, la charge de l'usine doit correspondre à la charge totale du système et il ne devrait y avoir aucune raison d'ajouter de la charge sur le terrain. La plaque signalétique et le tableau des données physiques du matériel doivent servir de référence pour la charge totale. Les pompes à chaleur avec une charge de réfrigérant de 63 oz ou plus sont livrées avec un système d'atténuation du réfrigérant installé en usine.

L'équipement de la thermopompe est muni de conduits et utilise le ventilateur pour atténuer les fuites. Une fois que le capteur de fuite de réfrigérant détecte une fuite, le compresseur et le chauffage électrique sont désactivés, et le ventilateur fonctionne en mode de ventilation continue. Cela se produira pendant au moins cinq minutes et une alarme de commande se poursuivra jusqu'à ce que le capteur ne détecte plus de fuite.

La surface minimale d'installation de l'unité,  $S_{min}$ , est basée sur la charge de réfrigérant et la hauteur d'installation de l'unité, comme indiqué dans le tableau ci-dessous. Puisque cette thermopompe est munie de conduits et utilise le ventilateur pour atténuer les fuites, la surface de plancher zoné ou avec conduits doit être supérieure à  $TA_{min}$  indiquée dans le tableau ci-dessous. Si la thermopompe est zonée, les amortisseurs doivent s'ouvrir pour permettre au ventilateur de la thermopompe d'atténuer la fuite de réfrigérant. La vitesse du ventilateur en mode continu doit être réglée au-dessus de  $Q_{min}$ , comme indiqué dans le tableau ci-dessous. Le réglage du ventilateur en mode continu est un réglage d'usine pour dépasser le débit d'air minimal requis pour l'atténuation.

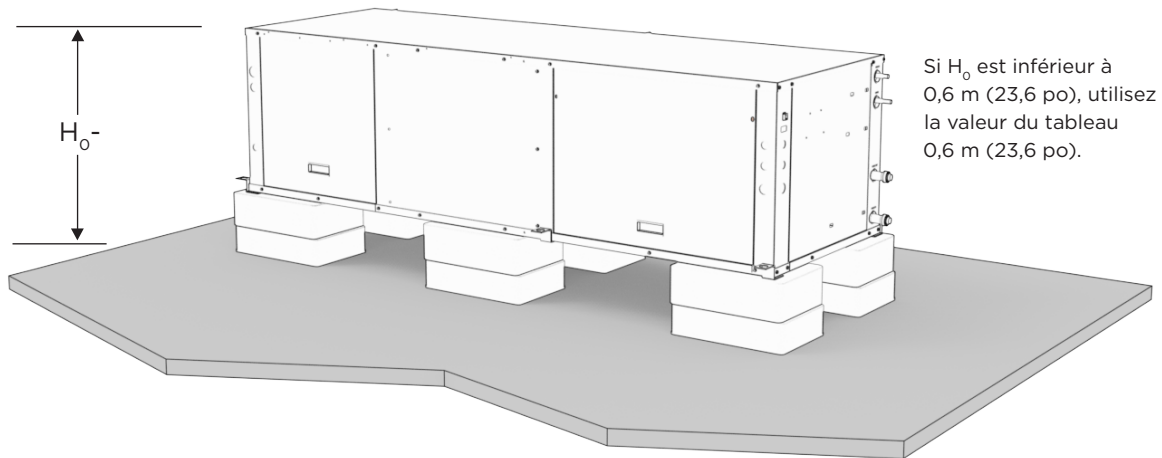
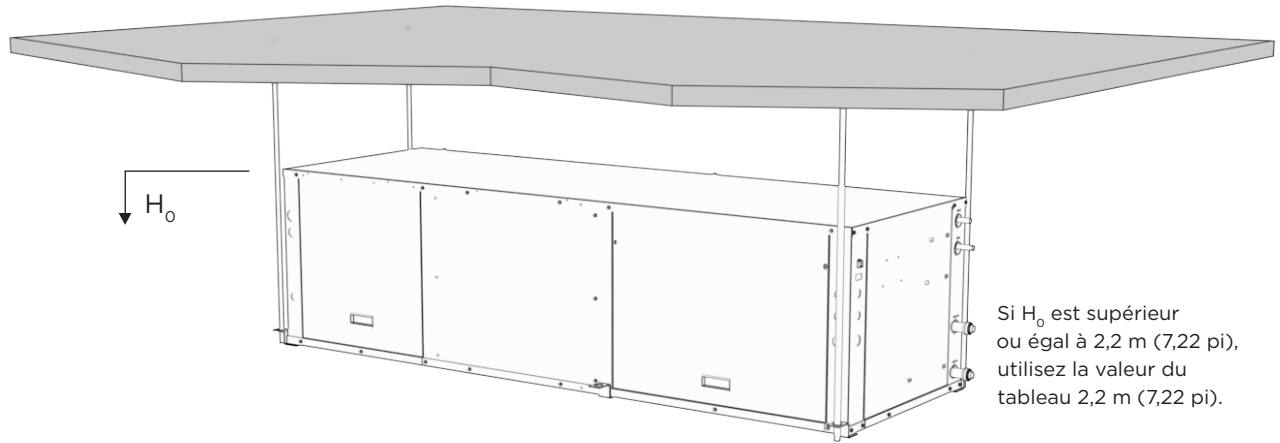
$H_{alte}$		FC
m	pi	
0	0	1,00
200	656	1,00
400	1 312	1,00
600	1 968	1,00
800	2 624	1,02
1 000	3 280	1,05
1 200	3 937	1,07
1 400	4 593	1,10
1 600	5 249	1,12
1 800	5 905	1,15
2 000	6 561	1,18
2 200	7 217	1,21
2 400	7 874	1,25
2 600	8 530	1,28
2 800	9 186	1,32
3 000	9 842	1,36
3 200	Non recommandé	

Lorsque l'emplacement de l'installation est situé au-dessus de 600 m (1 969 pi), le facteur de réglage de l'altitude dans le tableau est nécessaire pour calculer la taille minimale de la pièce.

Exemple : si vous installez une unité verticale O60. Si votre altitude est de 1 600 m (5 249 pi), votre facteur de superficie serait de 1,12. Si le poids de votre charge est de 2,154 kg (76 oz) à une installation à hauteur de plancher. La  $S_{min}$  aurait une superficie de 11,9 m<sup>2</sup> (127 pi<sup>2</sup>). Prenez 113,4 pi<sup>2</sup> x 1,12 pour une nouvelle  $S_{min}$  de 127 pi<sup>2</sup> (11,9 m<sup>2</sup>).


Modèle	Configuration	$H_o$			Charge		$A_{min}$		$Q_{min}$		$TA_{min}$	
		po	pi	m	lbm	oz	pi <sup>2</sup>	m <sup>2</sup>	pi <sup>3</sup> /min	m <sup>3</sup> /heure	pi <sup>2</sup>	m <sup>2</sup>
70	Plancher horizontal	23,6	2	0,6	5	80	516,2	48	135,2	229,9	75	7
	Plancher horizontal + 2 pi	47,6	4	1,2	5	80	136,4	12,7	135,2	229,9	75	7
	Plancher horizontal + 4 pi	71,6	6	1,8	5	80	90,7	8,4	135,2	229,9	75	7
	Suspendu à l'horizontale	86,6	7,2	2,2	5	80	75	7	135,2	229,9	75	7

## Informations générales sur l'installation : Détection et atténuation des fuites de réfrigérant



Si  $H_0$  se situe entre ces valeurs, utilisez le tableau pour calculer  $S_{min}$ .

# Plaque signalétique

Unit Nomenclature and Serial Number	<b>MODEL:</b> <b>JOB #:</b>	<b>S/N:</b> 999999999 Manufactured Fort Wayne, Indiana USA			
Unit Voltage	<b>Electrical Service</b>				
	VAC/PHASE	Hz	FLA	MIN CIRCUIT AMPS	MIN/MAX VAC
Fuse/Breaker Size	<b>Short-Circuit Current</b>			<b>Fuse Circuit Breaker Size</b>	
	kA Symmetrical	0	Max Fuse Time Delay	US Max HACR	Canada Max
	V Maximum	0			
Component Electrical Information	<b>Component</b>				
	Qty	LRA	RLA/MRC	FLA	VAC
	PH	HP	KW		
Unit Restrictions	<b>Other Data</b>				
	Min. distance to combustible surface (in/cm)				/
	Max. outlet air temperature (F/C)				/
	Max. external static pressure (in water/Pa)				/
	Max. inlet water temperature (F/C)				/
	Max. inlet water pressure (in water/Pa)				/
Auxillary Heater Kit Electrical Installation	CK BOX	Heater Model	Supply Circuit	KW	Min CIR AMP
	Max Fuse	Max BRKR			
	Mark heater installed with "X" in check box. For actual heater rating, see marking inside of unit.		Cocher "X" pour indiquer le modele installe pour les caracteristiques nominales des unites de chauffe voir le marquage a l'interieur.		
Unit Comments	<b>Comments</b>				
Installation Requirements	Warning: Floor area for storage or operation must meet the minimum requirements shown. Minimum room area (operating or storage)      0 ft <sup>2</sup> 0 m <sup>2</sup> Minimum installation height                              0 ft      0 m Note: For Minimum room areas at higher installation heights, see installation and operation manual. *For Installation Only in Locations Not Accessible to the General Public*				
Refrigerant Type and Charge Amount	MRC=Maximum Rated Current (only applicable for variable speed compressors/drives) Maximum allowable refrigerant pressure = PSIG/Mpa:      /				
	<b>Refrigerant Type</b>	<b>Refrigerant Charge/Circuit</b>	<b>Design Pressure</b>		
	R-454B	OZ kg	psi	Mpa	
			High:		
			Low:		



## Informations générales sur l'installation

### Considérations de sécurité



**AVERTISSEMENT : Avant d'effectuer toute opération d'entretien ou de maintenance d'un système, coupez l'alimentation principale de l'unité intérieure. S'il y a lieu, éteignez l'interrupteur d'alimentation de la chaufferette accessoire. La décharge électrique peut provoquer des blessures.**

L'installation et l'entretien des appareils de chauffage et de climatisation peuvent être dangereux en raison de la pression du système et des composants électriques. Seul un personnel formé et qualifié est habilité à procéder à l'installation, à la réparation ou à l'entretien des appareils de chauffage et de climatisation. Le personnel non formé peut effectuer les opérations d'entretien de base du nettoyage des bobines et du nettoyage et du remplacement des filtres. Toutes les autres opérations doivent être effectuées par du personnel d'entretien qualifié. Lors d'une intervention sur un appareil de chauffage ou de climatisation, veillez à respecter les précautions indiquées dans la documentation, les étiquettes apposées sur l'appareil et les autres mesures de sécurité éventuellement applicables.

Respectez tous les codes de sécurité. Portez des lunettes de sécurité et des gants de travail. Utilisez un chiffon mouillé pour toute opération de brasage et ayez un extincteur à disposition.

### Déplacement et stockage

Déplacez les unités dans l'orientation normale « vers le haut ». Les unités horizontales peuvent être déplacées et entreposées conformément aux renseignements figurant sur l'emballage. N'empilez pas plus de trois unités en hauteur totale. Les unités verticales peuvent être entreposées l'une sur l'autre jusqu'à une hauteur maximale de deux unités. Ne tentez pas de déplacer les unités lorsqu'elles sont empilées. Lors de la réception du matériel, tous les articles doivent être soigneusement vérifiés par rapport au connaissance afin de s'assurer que toutes les caisses et tous les cartons ont été reçus. Examinez les unités pour déceler les dommages causés par l'expédition et retirez-les de l'emballage au besoin. Les unités en question devraient également faire l'objet d'une inspection interne. Si des dommages sont constatés, le transporteur doit l'indiquer sur le bordereau de livraison.

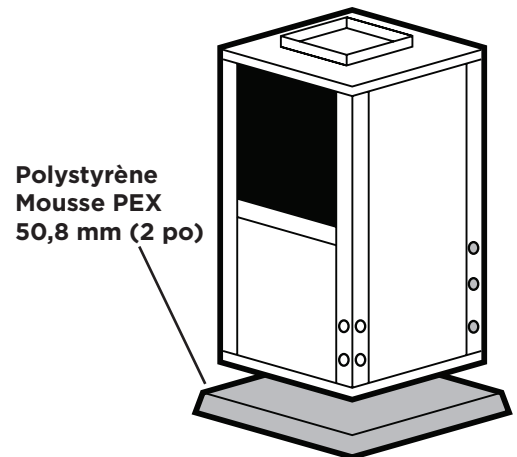
### Emplacement de l'unité

Placez l'appareil dans un endroit intérieur qui permet d'enlever facilement le filtre et les panneaux d'accès. L'emplacement doit avoir suffisamment d'espace pour que le personnel d'entretien puisse effectuer l'entretien ou les réparations. Prévoyez suffisamment d'espace pour faire des raccordements d'eau, d'électricité et de conduits. Si l'appareil est situé dans un espace confiné, comme un placard, des dispositions doivent être prises pour que le retour d'air pénètre librement dans l'espace au moyen d'une porte à volets, etc. Les vis de panneau d'accès qui seraient difficiles à enlever après l'installation de l'appareil doivent être enlevées avant de l'installer. Sur les appareils horizontaux, laissez suffisamment d'espace sous l'appareil pour accueillir un siphon de condensat et ne pas placer l'appareil au-dessus de la tuyauterie d'alimentation. **Lorsque les unités se trouvent dans des espaces non climatisés, il faut prendre soin d'éviter d'endommager les conduites d'eau gelées et d'empêcher une chaleur excessive qui pourrait endommager les composants électriques.**

### Installation d'unités verticales

Les unités verticales sont offertes avec une configuration de retour d'air à gauche ou à droite. Les unités verticales de flux supérieur devraient être montées de niveau sur un coussin absorbant les vibrations légèrement plus grand que la base pour assurer l'isolation entre l'unité et le plancher.

#### Montage de l'unité verticale



## Informations générales sur l'installation

### Installation type de l'unité

#### Emplacement de l'unité

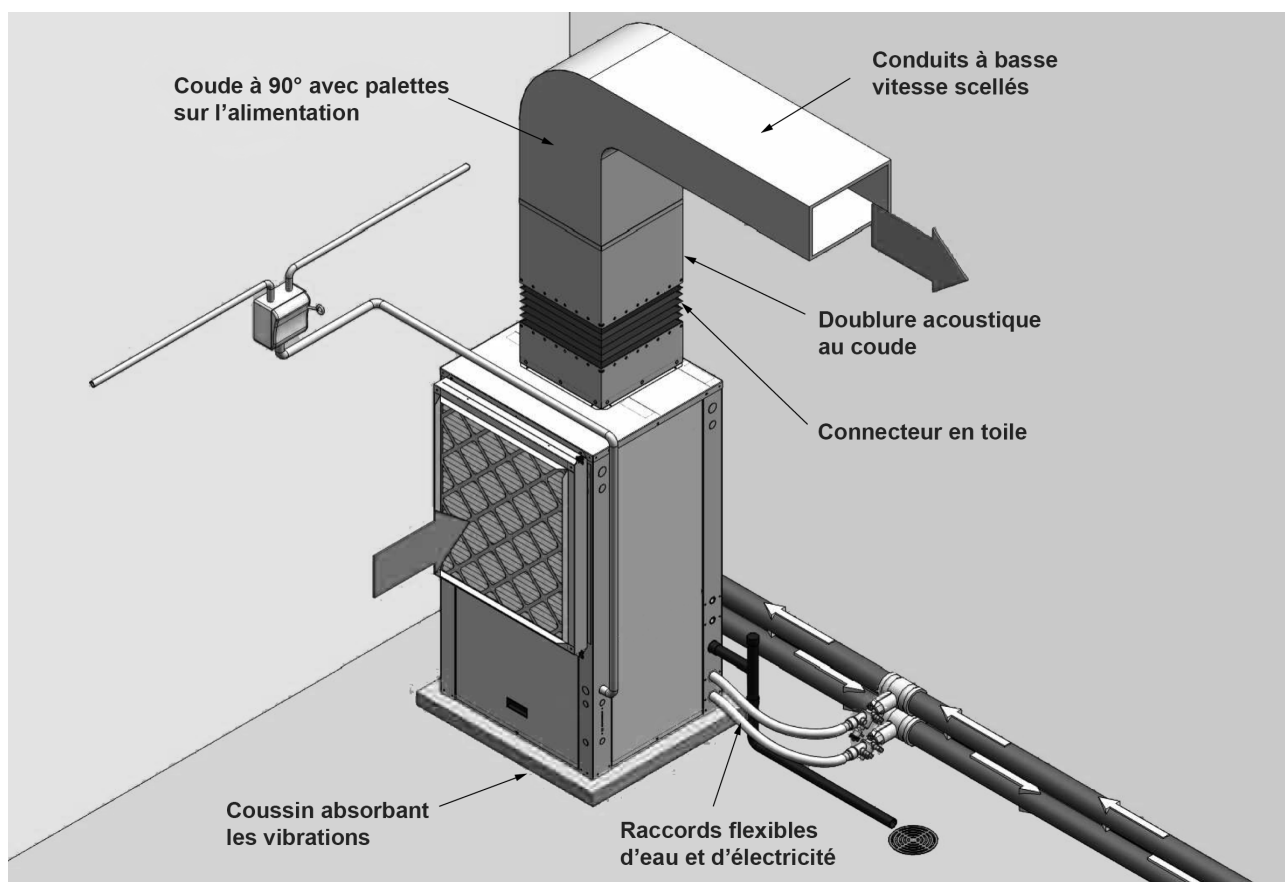
Placez l'appareil dans un endroit intérieur qui permet d'enlever facilement le filtre et les panneaux d'accès. L'emplacement doit avoir suffisamment d'espace pour que le personnel d'entretien puisse effectuer l'entretien ou les réparations. Prévoyez suffisamment d'espace pour faire des raccordements d'eau, d'électricité et de conduits. Si l'appareil est situé dans un espace confiné, comme un placard, des dispositions doivent être prises pour que le retour d'air pénètre librement dans l'espace au moyen d'une porte à volets, etc. Les vis de panneau d'accès qui seraient difficiles à enlever après l'installation de l'appareil doivent être enlevées avant de l'installer. Sur les appareils horizontaux, laissez suffisamment d'espace sous l'appareil pour accueillir un siphon de condensat et ne pas placer l'appareil au-dessus de la tuyauterie d'alimentation. Lorsque les unités se trouvent dans des espaces non climatisés, il faut prendre soin d'éviter d'endommager les conduites d'eau gelées et d'empêcher une chaleur excessive qui pourrait endommager les composants électriques.

#### Tuyauterie d'eau

La tuyauterie est habituellement conçue comme un « retour inversé » pour équilibrer les voies de débit dans chaque unité. Un court tuyau flexible de pression est utilisé pour raccorder le système de

tuyauterie fixe du bâtiment. Ce tuyau est généralement tressé et en acier inoxydable, comprend un raccord pivotant à une extrémité pour faciliter le retrait et est flexible pour aider à isoler l'unité en vue d'un fonctionnement plus silencieux. Des robinets d'isolement pour l'entretien, des crépines en Y pour le filtrage et la soupape de débit d'arrêt de mémoire ou une soupape d'équilibrage peuvent être fournis pour assurer un débit d'eau constant dans l'unité.

Tous les raccords d'eau de source de l'unité acceptent un filetage mâle (MPT). Insérez les raccords à la main, puis serrez le raccord avec une clé pour obtenir un joint étanche. Le système de tuyauterie en boucle ouverte et fermée devrait comprendre des orifices de pression et de température pour assurer l'entretien. Le bon débit d'eau doit être fourni à chaque unité chaque fois que celle-ci fonctionne. Pour assurer un débit adéquat, utilisez des orifices de pression et de température pour déterminer le débit. Ces orifices devraient être situés aux raccordements d'alimentation et de retour d'eau de l'appareil. Le bon débit ne peut pas être réglé avec précision sans mesurer la chute de pression d'eau dans l'échangeur de chaleur de réfrigérant-eau. N'utilisez jamais de tuyaux flexibles plus petits que le diamètre intérieur du raccord d'eau de l'unité. Limitez la longueur du boyau à 10 pieds par raccord. Vérifiez soigneusement s'il y a des fuites d'eau.



## Informations générales sur l'installation

### Installation d'unités horizontales

Les unités horizontales sont disponibles avec décharge latérale ou d'extrémité et peuvent être facilement converties sur le terrain en retournant le panneau de décharge du ventilateur. Les unités horizontales sont normalement suspendues au plafond par quatre tiges filetées de 9,53 mm (3/8 po) de diamètre. Les tiges sont généralement fixées à l'unité par des trousseaux de supports de suspension fournis avec chaque unité. Disposez les tiges filetées selon les dimensions indiquées ci-dessous. Assemblez les crochets de suspension sur l'unité tel que démontré. Serrez solidement les supports à l'unité à l'aide des écrous à souder situés au-dessous du panneau inférieur. Lors de la fixation des tiges de suspension au support, un écrou double est requis puisque la vibration pourrait desserrer un écrou simple.

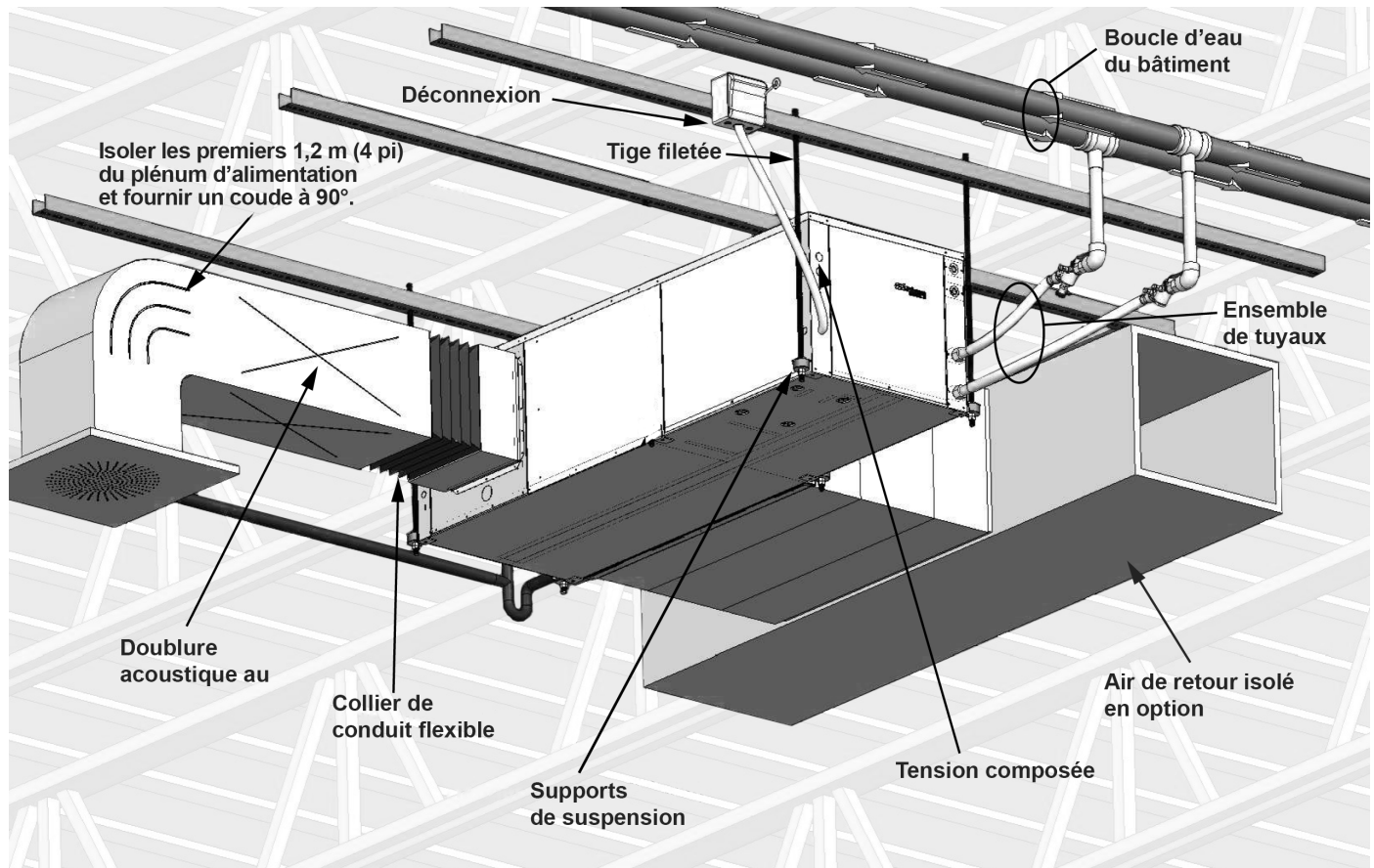
**REMARQUE :** L'appareil doit être incliné d'environ 6,35 mm (1/4 po) vers le drain dans les deux sens pour faciliter l'élimination du condensat.



**ATTENTION :** N'utilisez pas de tiges de diamètre inférieur à 9,53 mm (3/8 po), car elles pourraient ne pas être assez résistantes pour soutenir l'appareil. Les tiges doivent être solidement ancrées au plafond.

Utilisez uniquement les boulons fournis dans la trousse pour fixer les supports de suspension. L'utilisation de boulons plus longs pourrait endommager les pièces internes. Certaines applications nécessitent l'installation d'unités horizontales sur un plancher de grenier. Dans ce cas, l'appareil doit être placé dans un bac de récupération secondaire pleine grandeur sur un coussin absorbant les vibrations. Le bac de récupération secondaire empêche le débordement de condensat ou les dommages causés par les fuites d'eau au plafond. Le bac de récupération secondaire est généralement placé sur une base en contreplaqué isolée des solives du plafond à l'aide de couches supplémentaires de matériau absorbant les vibrations. Isolez le plénum d'alimentation et utilisez au moins un coude à 90° et un collier de conduit flexible pour réduire le bruit.

### Montage horizontal de l'unité



## Informations générales sur l'installation

### Considérations acoustiques et performance sonore de l'équipement

#### Performance sonore

Cette unité est dotée d'une cote acoustique de tiers conformément à la norme ARI 260. Veuillez consulter le catalogue des données sur la performance sonore pour obtenir des détails sur la norme AHRI et les données sur la performance sonore.

#### Recommandations pour la réduction du bruit

##### Emplacement horizontal de l'unité

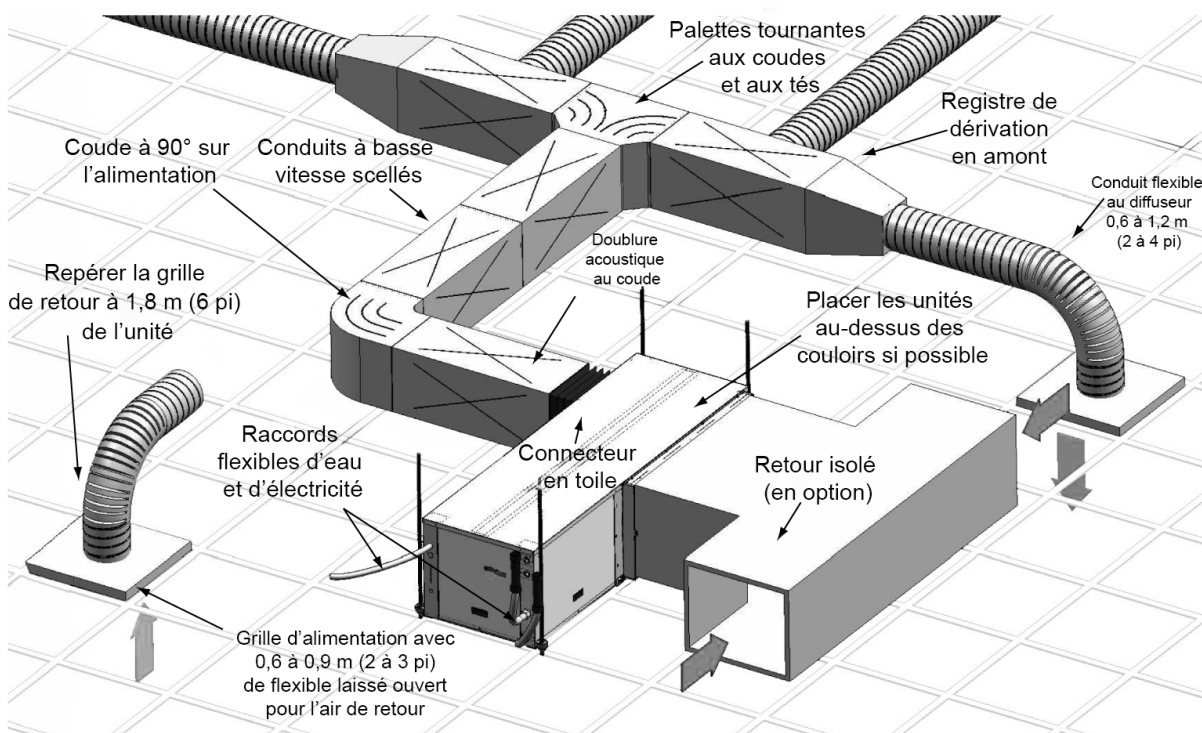
- Spécifiez l'équipement dont la puissance acoustique est la plus faible.
- Ne placez pas les unités au-dessus de zones qui nécessitent un NC 40 ou moins.
- Espacez les pompes à chaleur aquathermiques d'au moins 3 m (10 pi) les unes des autres pour éviter le bruit de plusieurs unités dans un espace.
- Maximisez la hauteur de l'unité au-dessus du plafond (horizontal).
- Suspendez l'unité avec des œillets d'isolement conçus pour réduire les vibrations (horizontal).

##### Emplacement vertical de l'unité

- Spécifiez l'équipement dont la puissance acoustique est la plus faible.
- Espacez les pompes à chaleur aquathermiques d'au moins 3 m (10 pi) les unes des autres pour éviter le bruit de plusieurs unités dans un espace.
- Les revêtements acoustiques de plafond peuvent réduire considérablement les niveaux de bruit dans les locaux des installations mécaniques.
- Installez l'unité sur un tapis insonorisant, du polystyrène extrudé, du caoutchouc ou du liège.

#### Conduits

- Vérifiez que les grilles de retour d'air ne permettent pas au bruit du site de se transmettre dans l'espace adjacent. Utilisez une barrière sonore ou un autre matériau pour isoler la grille de l'unité. Une grille d'alimentation, une gaine et un court morceau de conduit flexible orientés loin de l'unité peuvent considérablement atténuer le bruit de l'équipement.
- Utilisez un connecteur de conduit d'isolement en toile au raccord de conduit d'alimentation et de retour de l'unité.
- Revêtez l'intérieur du conduit de refoulement et de retour avec un isolant acoustique sur les 4 à 8 premiers pieds de l'unité. Installez un coude de conduit de retour en forme de « L » à doublure interne sur la grille de retour. Orientez le coude loin des unités adjacentes.
- Installez toujours au moins un coude à 90° dans le conduit de refoulement, afin d'éliminer la transmission du bruit dans la ligne de vue du ventilateur.
- Utilisez des palettes tournantes à tous les coudes et tés pour réduire la turbulence.
- Limitez la vitesse des conduits d'alimentation à moins de 1 000 pi/min.
- Concevez et installez des conduits aussi rigides que possible.
- Prévoyez 3 diamètres de conduit vers le haut et vers le bas de l'unité avant l'installation de raccords ou de transitions.
- Utilisez un produit d'étanchéité pour conduit sur tous les joints des conduits.
- Installez un morceau court de conduit flexible 0,6 à 1,2 m [2 à 4 pi] sur tous les conduits de dérivation juste avant la gaine de décharge ou le diffuseur, afin de réduire les vibrations et le son des conduits avant la livraison dans la pièce.
- Placez le registre d'équilibrage du conduit de dérivation le plus loin possible du diffuseur.
- Dans les systèmes de plénum de plafond, installez un coude de conduit de retour en forme de « L » à doublure interne. Orientez le coude loin des unités adjacentes (horizontal).

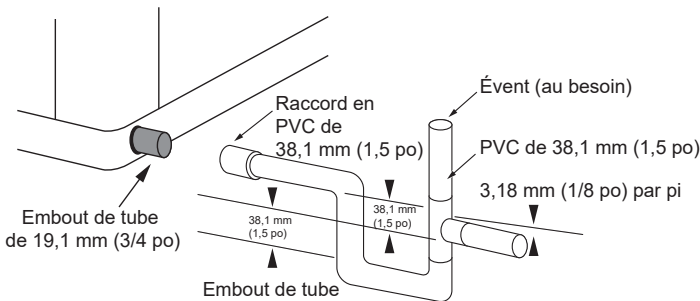


## Information sur l'installation

### Drain de condensat

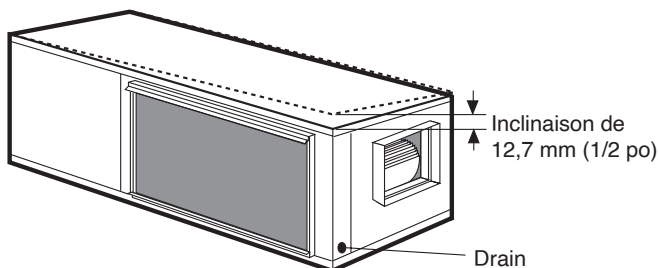
Sur les unités verticales, l'ensemble de drain de condensat interne se compose d'un tube d'évacuation relié au bac de récupération, d'un adaptateur femelle en PVC de 19,1 mm (3/4 po) et d'un tuyau flexible de raccordement. L'adaptateur femelle peut sortir de l'avant ou du côté de l'armoire. L'adaptateur devrait être collé à la tuyauterie de condensat en PVC installée sur place. Sur les unités verticales, un tuyau de condensat se trouve à l'intérieur de toutes les armoires comme une boucle de piégeage; par conséquent, un siphon externe n'est pas nécessaire.

#### Raccord de drain horizontal (bac de récupération en composite)



Sur les unités horizontales à débit inférieur, un embout en PVC ou un tube en acier inoxydable est fourni pour le raccords de la tuyauterie de vidange du condensat. Un piège externe est requis (voir ci-dessous). Si un évent est nécessaire, un tuyau à support ouvert peut être appliqué sur un raccord en T dans la tuyauterie de condensat installée sur place.

#### Hauteur de l'unité pour le drain



### Système de conduits

Un collier de sortie d'air est fourni sur les unités verticales à débit supérieur et sur toutes les unités horizontales pour faciliter le raccordement des conduits. Un raccord flexible est recommandé pour les raccordements des conduits de refoulement et de reprise d'air sur les systèmes de conduits métalliques. Les conduits non isolés doivent être isolés au moyen d'un isolant de conduit d'au moins 25,4 mm (1 po). L'utilisation de l'appareil sur des conduits non isolés dans un espace non climatisé n'est pas recommandée, car le rendement de l'appareil sera compromis.

Si l'appareil est raccordé à des conduits existants, vérifiez le système de conduits pour s'assurer qu'il a la capacité d'accueillir l'air requis pour l'utilisation de l'appareil. Si le conduit est trop petit, comme pour le remplacement des systèmes de chauffage seulement, des conduits plus grands devraient être installés. Tous les conduits existants devraient être vérifiés pour détecter les fuites et réparés au besoin.

Le système de conduits devrait être dimensionné de manière à gérer le débit d'air de façon silencieuse et efficace. Pour maximiser l'atténuation sonore du ventilateur de l'appareil, les plenums d'alimentation et de retour devraient être munis d'une doublure de conduit interne en fibre de verre ou de panneaux d'isolation sur les premiers pieds. Dans les systèmes utilisant un système de conduits en tôle, des raccords en toile devraient être utilisés entre l'appareil et les conduits. Si un bruit d'air ou un débit d'air excessif est un problème, la vitesse du ventilateur peut être modifiée.

### Tuyauterie d'eau

Le bon débit d'eau doit être fourni à chaque unité chaque fois que celle-ci fonctionne. Pour assurer un débit adéquat, utilisez des orifices de pression et de température pour déterminer le débit. Ces orifices devraient être situés aux raccordements d'alimentation et de retour d'eau de l'appareil. Le bon débit ne peut pas être réglé avec précision sans mesurer la chute de pression d'eau dans l'échangeur de chaleur de réfrigérant-eau.

Tous les raccords d'eau de source sur les unités commerciales acceptent un filetage mâle (MPT). Insérez les raccords à la main, puis serrez le raccord avec une clé pour obtenir un joint étanche. Lors de la connexion à un système à boucle ouverte (eau souterraine), enfitez tout raccord MPT en cuivre dans le raccord et serrez de la même manière que ci-dessus.

## Qualité de l'eau

Dans les eaux souterraine où l'entartrage pourrait être important ou en cas de croissance biologique comme des bactéries ferreuses, un système en boucle fermée est recommandé. Les serpentins d'échangeur de chaleur des réseaux d'eau souterraine peuvent, sur une certaine période de temps, perdre leur capacité d'échange thermique en raison de l'accumulation de dépôts minéraux à l'intérieur. Ceux-ci peuvent être nettoyés, mais seulement par un mécanicien de service qualifié, car des solutions spéciales et de l'équipement de pompage sont requis. Les serpentins du générateur d'eau chaude peuvent également être entartré et possiblement obstrués. Dans les endroits

où l'eau est extrêmement dure, le propriétaire devrait être informé que l'échangeur de chaleur peut nécessiter un rinçage occasionnel. Le non-respect des directives figurant dans le tableau de qualité de l'eau pourrait entraîner une perte de garantie.

Les unités avec échangeurs de chaleur en cupronickel sont recommandées pour les applications en circuit ouvert en raison de la résistance accrue à l'accumulation et à la corrosion, ainsi que de la réduction de l'usure causée par le nettoyage à l'acide.

Matériel		Cuivre	90/10 Cupronickel	Acier inoxydable 316
<b>pH</b>	<b>Acidité/Alcalinité</b>	7 - 9	7 - 9	7 - 9
<b>Entartrage</b>	Calcium et carbonate de magnésium	(Dureté totale) inférieure à 350 ppm	(Dureté totale) inférieure à 350 ppm	(Dureté totale) inférieure à 350 ppm
<b>Corrosion</b>	Sulfure d'hydrogène	Moins de 0,5 ppm (une odeur d'œuf pourri se dégage à 0,5 ppm)	10 - 50 ppm	Moins de 1 ppm
	Sulfates	Moins de 125 ppm	Moins de 125 ppm	Moins de 200 ppm
	Chlore	Moins de 0,5 ppm	Moins de 0,5 ppm	Moins de 0,5 ppm
	Chlorures	Moins de 20 ppm	Moins de 125 ppm	Moins de 300 ppm
	Dioxyde de carbone	Moins de 50 ppm	10 - 50 ppm	10 - 50 ppm
	Ammoniac	Moins de 2 ppm	Moins de 2 ppm	Moins de 20 ppm
	Chlorure d'ammonium	Moins de 0,5 ppm	Moins de 0,5 ppm	Moins de 0,5 ppm
	Nitrate d'ammonium	Moins de 0,5 ppm	Moins de 0,5 ppm	Moins de 0,5 ppm
	Hydroxyde d'ammonium	Moins de 0,5 ppm	Moins de 0,5 ppm	Moins de 0,5 ppm
	Sulfate d'ammonium	Moins de 0,5 ppm	Moins de 0,5 ppm	Moins de 0,5 ppm
Solides totaux dissous (TDS)	Moins de 1 000 ppm	1 000 - 1 500 ppm	1 000 - 1 500 ppm	
	Indice LSI	+0,5 à -0,5	+0,5 à -0,5	+0,5 à -0,5
<b>Encrassement par le fer (Croissance biologique)</b>	Fer, $FE^{2+}$ (Ferreux) potentiel de fer bactérien	< 0,2 ppm	< 0,2 ppm	< 0,2 ppm
	Oxyde de fer	Moins de 1 ppm, au-delà de ce niveau, il y a dépôt	Moins de 1 ppm, au-delà de ce niveau, il y a dépôt	Moins de 1 ppm, au-delà de ce niveau, il y a dépôt
<b>Érosion</b>	Matières en suspension	Moins de 10 ppm et filtré pour une taille maximale de 600 microns	Moins de 10 ppm et filtré pour une taille maximale de 600 microns	Moins de 10 ppm et filtré pour une taille maximale de 600 microns
	Vitesse limite (Eau fraîche)	< 1,8 m/s (6 pi/s)	< 1,8 m/s (6 pi/s)	< 1,8 m/s (6 pi/s)

REMARQUES : Grains = ppm divisé par 17 mg/L équivaut à ppm

22/02/2012

## Raccords électriques

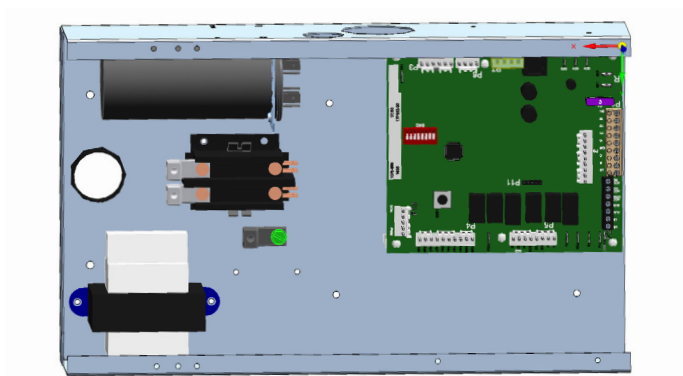
### Généralités

Assurez-vous que l'alimentation disponible correspond au même voltage et à la même phase que celles indiquées sur la plaque de série de l'appareil. Le câblage de ligne et de la basse tension doit être effectué conformément aux codes locaux ou au Code national de l'électricité, selon ce qui est applicable.

### Connexion d'alimentation

Branchez les câbles de tension d'entrée à L1 et L2 du contacteur pour l'unité monophasée. Consultez les tableaux des données électriques pour connaître la bonne taille des fusibles.

### Boîtier de commande de base Aurora®



### Fonctionnement de 208 V

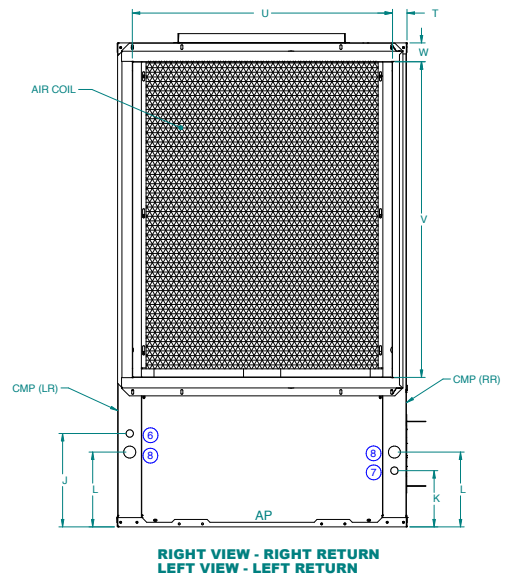
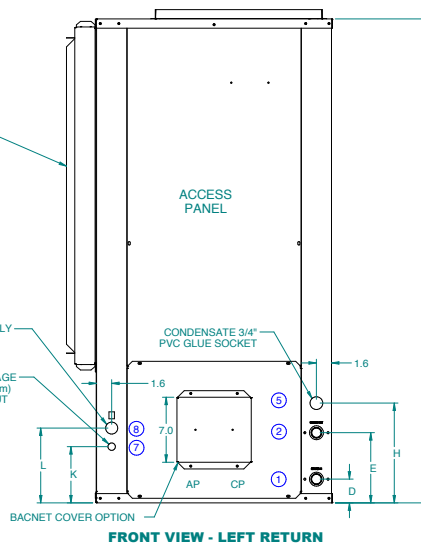
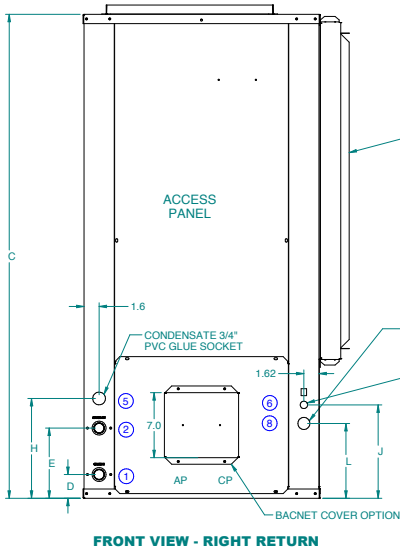
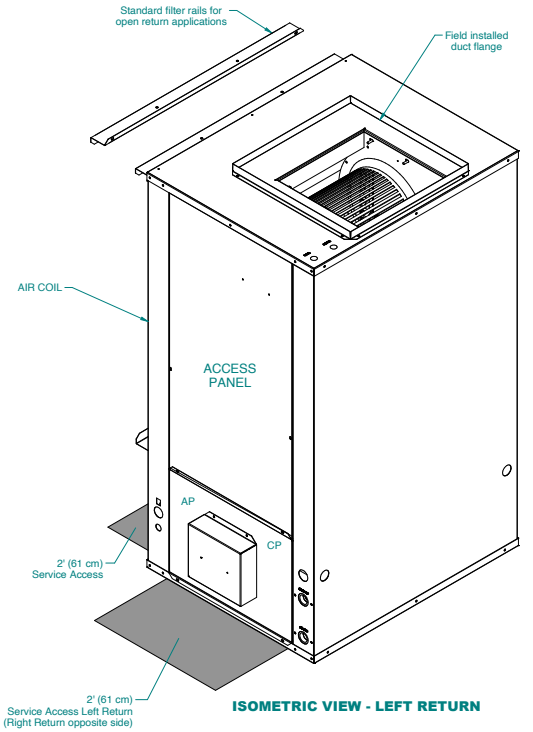
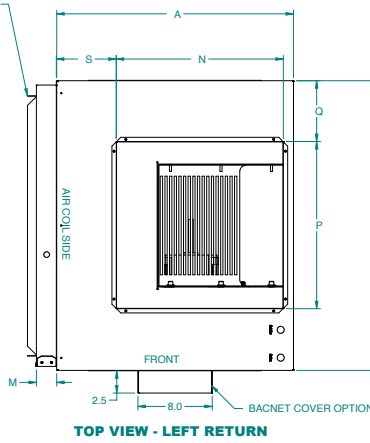
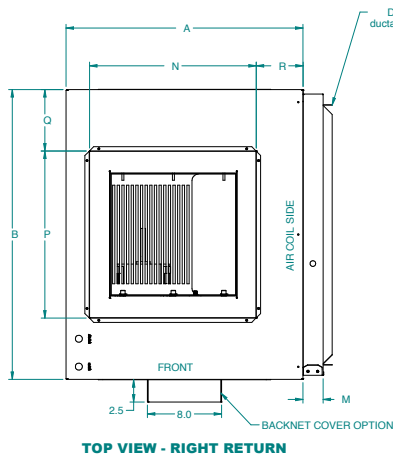
Toutes les unités 208/230 sont câblées en usine pour un fonctionnement à 230 V. Pour un fonctionnement de 208 V, les fils de transformateur rouge et bleu doivent être branchés sur la barrette de connexion PS.



**ATTENTION : Lors de l'installation d'une unité dotée d'un moteur de ventilateur ECM à vitesse variable en tension de 460/60/3, un fil neutre est requis pour assurer le bon fonctionnement de l'unité.**

# Données dimensionnelles

**Legend**  
 AP = Alternate Service Panel  
 BP = Blower Service Panel  
 CP = Control Access Panel  
 CMP = Compressor Service Panel



## Données dimensionnelles (suite)

Modèles verticaux		Ensemble d'armoire			Raccords d'eau				Entrées défonçables pour câbles électriques			M	
									6	7	8		
		A	B	C	1	2	5	Boucle	J	K	L		
		Largeur	Profondeur	Hauteur*	D	E	H	Eau FPT	condensateur 12,7 mm (1/2 po)	condensateur 12,7 mm (1/2 po)	condensateur 25,4 mm (1 po)	Alimentation électrique	Largeur du porte-filtre
					po	Sortie	Condensat		Basse tension	Basse tension			
<b>006-012</b>	po cm	19,2 48,8	19,2 48,8	24,2 61,5	2,6 6,6	5,6 14,2	8,8 22,4	1/2 po 12,7 mm	7,4 18,8	3,4 8,6	5,4 13,7	5,4 13,7	2,2 5,6
<b>015-018</b>	po cm	22,5 57,2	22,2 56,4	30,2 76,7	2,6 6,6	7,6 19,3	10,8 27,4	3/4 po 19,1 mm	9,4 23,9	5,4 13,7	7,4 18,8	7,4 18,8	2,2 5,6
<b>024-030</b>	po cm	22,5 57,2	22,2 56,4	36,2 91,9	2,6 6,6	7,6 19,3	10,8 27,4	3/4 po 19,1 mm	9,4 23,9	5,4 13,7	7,4 18,8	7,4 18,8	2,2 5,6
<b>036</b>	po cm	22,5 57,2	26,2 66,5	40,2 102,1	2,6 6,6	7,6 19,3	10,8 27,4	3/4 po 19,1 mm	10,1 25,7	6,1 15,5	8,1 20,6	8,1 20,6	2,2 5,6
<b>042-048</b>	po cm	22,5 57,2	26,2 66,5	44,2 112,3	2,6 6,6	7,6 19,3	10,8 27,4	3/4 po 19,1 mm	10,1 25,7	6,1 15,5	8,1 20,6	8,1 20,6	2,2 5,6
<b>060</b>	po cm	25,5 64,8	31,2 79,2	44,2 112,3	2,6 6,6	7,6 19,3	10,8 27,4	1 po 25,4 mm	10,1 25,7	6,1 15,5	8,1 20,6	8,1 20,6	2,2 5,6
<b>070</b>	po cm	25,5 64,8	31,2 79,2	48,2 122,4	2,6 6,6	7,6 19,3	10,8 27,4	1 po 25,4 mm	10,1 25,7	6,1 15,5	8,1 20,6	8,1 20,6	2,2 5,6

Modèles verticaux		Raccord de décharge bride de conduit installée (± 0,10 po)					**Raccord de retour en utilisant un porte-filtre de luxe (± 0,10 po)			
		N	P	Q	R	S	T	U	V	W
		Largeur de l'alimentation	Profondeur de l'alimentation					Profondeur du retour	Hauteur du retour	
<b>006-012</b>	po cm	10,0 25,4	10,0 25,4	4,6 11,7	4,4 11,2	7,8 19,8	2,4 6,1	14,3 36,3	10,1 25,7	2,0 5,1
<b>015-018</b>	po cm	14,0 35,6	14,0 35,6	4,1 10,4	4,3 10,9	7,7 19,6	2,1 5,3	18,1 46,0	14,0 35,6	2,0 5,1
<b>024-030</b>	po cm	14,0 35,6	14,0 35,6	4,1 10,4	4,3 10,9	7,7 19,6	2,1 5,3	18,1 46,0	20,0 50,8	2,0 5,1
<b>036</b>	po cm	14,0 35,6	14,0 35,6	6,1 15,5	4,5 11,4	7,7 19,6	2,1 5,3	22,1 56,1	22,1 56,1	2,0 5,1
<b>042-048</b>	po cm	18,0 45,7	18,0 45,7	4,1 10,4	2,1 5,3	3,9 9,9	2,1 5,3	22,1 56,1	26,1 66,3	2,0 5,1
<b>060</b>	po cm	18,0 45,7	18,0 45,7	6,6 16,8	4,6 11,7	6,3 16,0	1,6 4,1	28,1 71,4	26,0 66,0	2,0 5,1
<b>070</b>	po cm	18,0 45,7	18,0 45,7	6,6 16,8	4,6 11,7	6,3 16,0	1,6 4,1	28,1 71,4	30,0 76,2	2,0 5,1

30/04/24

Le condensat est un raccord femelle à coller en PVC de 19,1 mm (3/4 po) et est commutable du côté vers l'avant.

\* La bride de décharge est installée sur place et se prolonge de 25,4 mm (1 po) du haut de l'armoire.

\*\* Les unités verticales sont expédiées avec un porte-filtre d'application ouverte standard de 50,8 mm (2 po) (ajustable sur place à 25,4 mm [1 po]) qui s'étend de l'appareil de 55,9 mm (2,2 po) et ne convient pas au raccordement des conduits. Pour les applications de raccord de retour à conduits, commandez le collier de conduit/porte-filtre de luxe de 50,8 mm (2 po) (ajustable sur place à 25,4 mm [1 po]) qui s'étend de l'appareil de 82,6 mm (3,25 po) et convient pour le raccordement des conduits.

## Sectionneur vertical

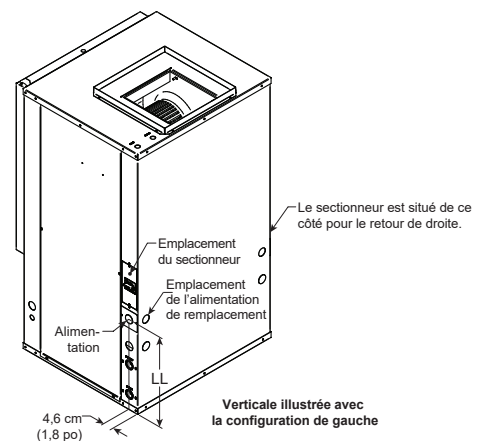
Lorsque vous utilisez un sectionneur, n'utilisez pas la dimension L des données dimensionnelles verticales standard. Utiliser la dimension LL des données dimensionnelles du sectionneur vertical.

Modèles verticaux	LL
<b>015-018</b>	40,1 (15,8)
<b>024-030</b>	47,8 (18,8)
<b>036</b>	38,9 (15,3)
<b>042-048</b>	35,1 (13,8)
<b>060</b>	36,3 (14,3)
<b>070</b>	36,3 (14,3)

Toutes les dimensions sont en po (cm)

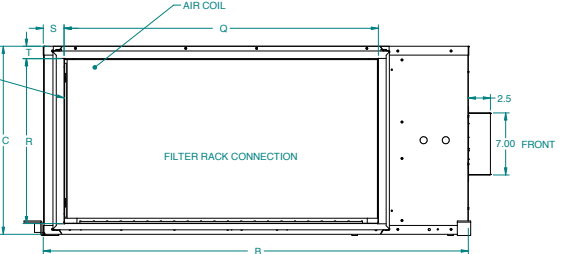
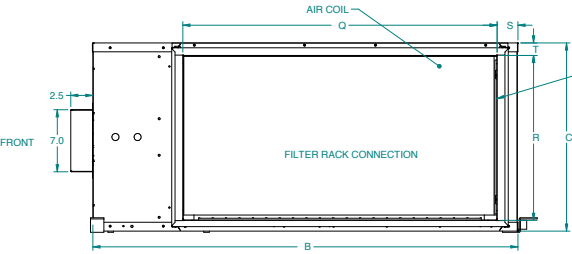
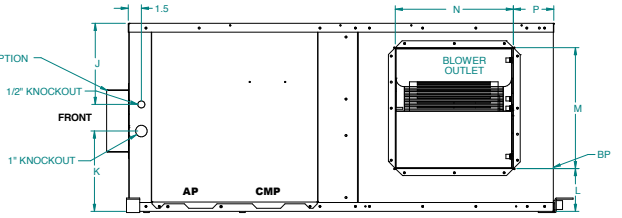
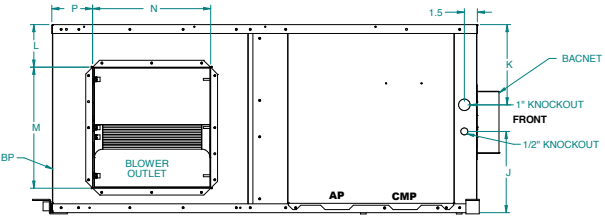
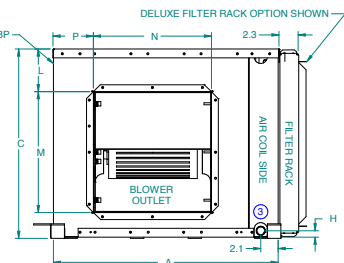
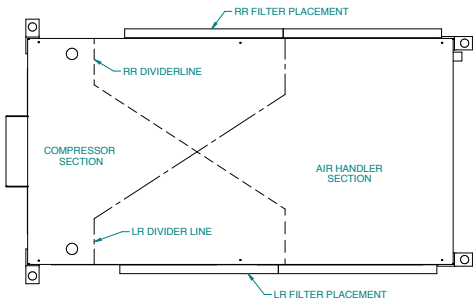
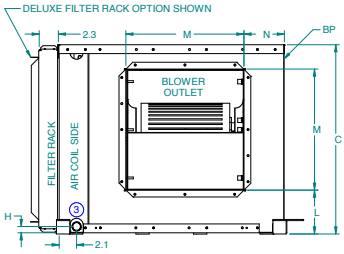
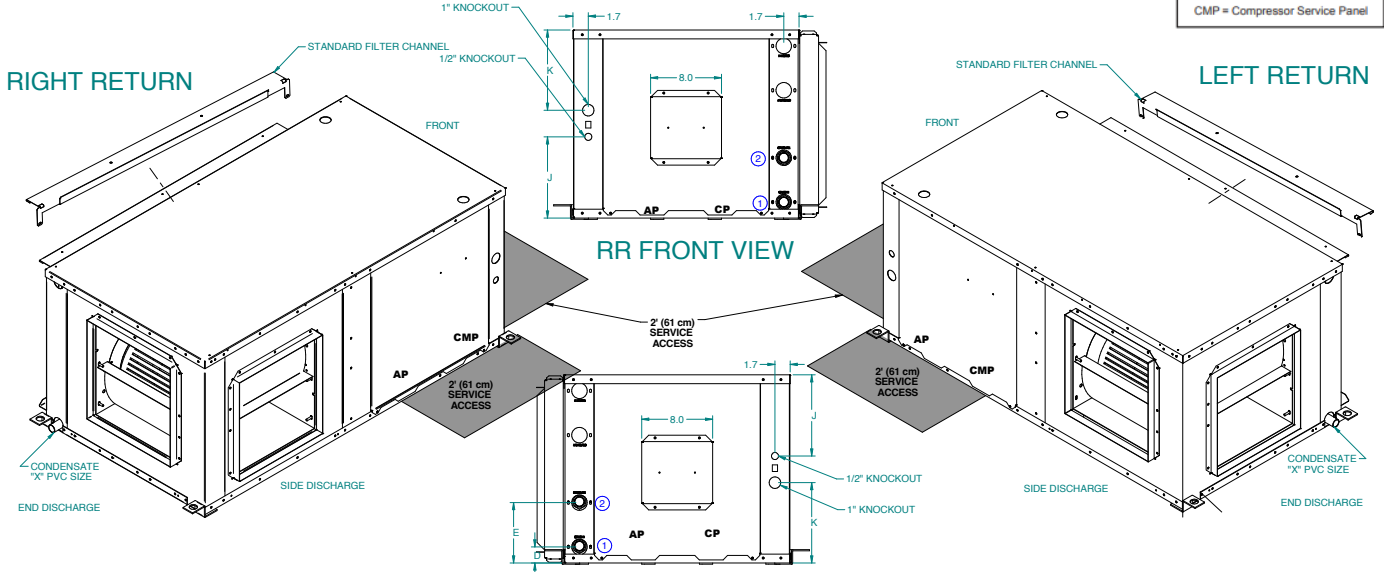
\* Modèles 006-012 – sectionneur monté à l'extérieur

\*\* Vertical 041 – sectionneur non disponible



# Données dimensionnelles horizontales (suite)

Legend	
AP	= Alternate Service Panel
BP	= Blower Service Panel
CP	= Control Access Panel
CMP	= Compressor Service Panel



## Données dimensionnelles horizontales (suite)

Modèles horizontaux		Ensemble d'armoire			Raccords d'eau				Entrées défonçables pour câbles électriques	
					1	2	3	Boucle	J	K
		A	B	C	D	E	H		condensateur 12,7 mm (1/2 po)	condensateur 25,4 mm (1 po)
		Largeur	Profondeur	Hauteur*	po	Sortie	Condensat	Eau FPT	Basse tension	Alimentation électrique
006-012	po	19,2	35,0	12,9	1,8	4,8	4,5	1/2 po	4,6	4,6
	cm	48,8	88,9	32,8	4,6	12,2	11,4	12,70 mm	11,7	11,7
015-018	po	22,5	35,0	17,2	1,8	6,8	0,8	3/4 po	7,1	7,1
	cm	57,2	88,9	43,7	4,6	17,3	2,0	19,05 mm	18,0	18,0
024-030	po	22,5	42,0	17,2	1,8	6,8	0,8	3/4 po	7,1	7,1
	cm	57,2	106,7	43,7	4,6	17,3	2,0	19,05 mm	18,0	18,0
036	po	22,5	42,0	19,2	1,8	6,8	0,8	3/4 po	9,2	7,1
	cm	57,2	106,7	48,8	4,6	17,3	2,0	19,05 mm	23,4	18,0
042-048	po	22,5	45,0	19,2	1,8	6,8	0,8	3/4 po	9,2	7,1
	cm	57,2	114,3	48,8	4,6	17,3	2,0	19,05 mm	23,4	18,0
060	po	25,5	48,0	21,2	1,8	6,8	0,8	1 po	9,2	9,1
	cm	64,8	121,9	53,8	4,6	17,3	2,0	25,4 mm	23,4	23,1
070	po	25,5	53,0	21,2	1,8	6,8	0,8	1 po	9,2	9,1
	cm	64,8	134,6	53,8	4,6	17,3	2,0	25,4 mm	23,4	23,1

Modèles horizontaux		Raccord de décharge bride de conduit installée (±2,54 mm [0,10 po])				Raccord de retour en utilisant l'option de porte-filtre de luxe (±2,54 mm [0,10 po])				Dimensions de la pièce de suspension de l'unité			Taille du PVC
		L	M	N	P	Q	R	S	T	U (A)	V (B)	W (C)	X
			Largeur de l'alimentation	Profondeur de l'alimentation		Profondeur du retour	Hauteur du retour						
006-012	po	3,2	8,0	10,0	2,7	22,5	10,3	2,4	1,4	35,8	21,8	18,1	1/2 po
	cm	8,1	20,3	25,4	6,9	57,2	26,2	6,1	3,6	90,9	55,4	46,0	1,3
015-018	po	5,7	10,5	9,4	4,9	16,4	14,5	2,0	1,4	35,8	25,1	21,4	3/4 po
	cm	14,5	26,7	23,9	12,4	41,7	36,8	5,1	3,6	90,9	63,8	54,4	1,9
024-030	po	5,7	10,5	9,4	4,9	23,4	14,5	2,0	1,4	42,8	25,1	21,4	3/4 po
	cm	14,5	26,7	23,9	12,4	59,4	36,8	5,1	3,6	108,6	63,8	54,4	1,9
036	po	6,7	10,5	9,4	4,9	27,4	16,5	2,0	1,4	42,8	25,1	21,4	3/4 po
	cm	17,0	26,7	23,9	12,4	69,6	41,9	5,1	3,6	108,7	63,8	54,4	1,9
042-048	po	4,2	13,6	13,2	2,4	30,4	16,5	2,0	1,5	45,8	25,1	21,4	3/4 po
	cm	10,7	34,5	33,5	6,1	77,2	41,9	5,1	3,8	116,3	63,8	54,4	1,9
060	po	4,8	13,6	13,2	4,6	35,4	18,7	2,3	1,3	48,8	28,1	24,4	3/4 po
	cm	12,2	34,5	33,5	11,7	89,9	47,5	5,8	3,3	124,0	71,4	62,0	1,9
070	po	4,8	13,6	13,2	4,6	40,4	18,5	2,3	1,4	53,8	28,1	24,4	3/4 po
	cm	12,2	34,5	33,5	11,7	102,6	47,0	5,8	3,6	136,7	71,4	62,0	1,9

07/05/24

Les unités verticales sont expédiées avec un porte-filtre d'application ouverte standard de 50,8 mm (2 po) (ajustable sur place à 25,4 mm [1 po]) qui s'étend de l'appareil de 55,9 mm (2,2 po) et ne convient pas au raccordement des conduits. Pour les applications de raccord de retour à conduits, commandez le collier de conduit/porte-filtre de luxe de 50,8 mm (2 po) (ajustable sur place à 25,4 mm [1 po]) qui s'étend de l'appareil de 82,6 mm (3,25 po) et convient pour le raccordement des conduits.

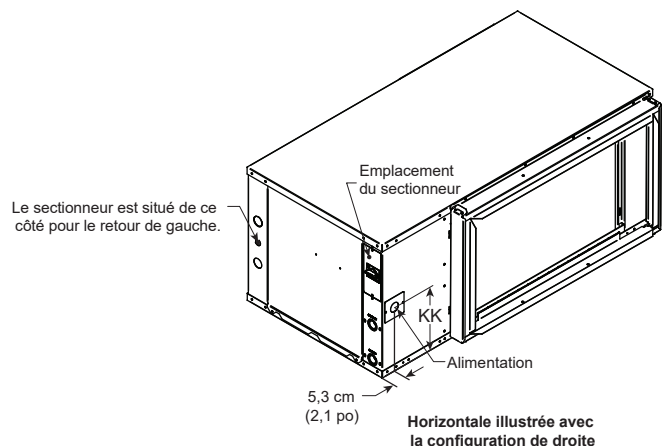
## Sectionneur horizontal

Lorsque vous utilisez un sectionneur, n'utilisez pas la dimension K des données dimensionnelles horizontales standard. Utiliser la dimension KK des données dimensionnelles du sectionneur horizontal.

Modèles horizontaux	KK
015-018	20,8 (8,2)
024-030	20,8 (8,2)
036	23,4 (9,2)
042-048	23,4 (9,2)
060	28,4 (11,2)
070	25,9 (10,20)

Toutes les dimensions sont en cm (po)

\* Modèles 006-012 - sectionneur monté à l'extérieur



## Données physiques

Model	Single Speed Models												
	006	009	012	015	018	024	030	036	042	048	060	070	
Compressor (1 each)	Rotary						Scroll						
Factory Charge R-454B, oz [kg] Vertical	26 [0.74]	22 [0.62]	24 [0.68]	28 [0.79]	30 [0.85]	30 [0.85]	32 [0.91]	46 [1.3]	48 [1.36]	52 [1.47]	62 [1.78]	62.8 [1.78]	
Factory Charge R-454B, oz [kg] Horizontal	21 [0.60]	23 [0.65]	22 [0.62]	30 [0.85]	28 [0.79]	32 [0.91]	38 [1.08]	44 [1.25]	52 [1.47]	52 [1.47]	62 [1.78]	80 [2.27]	
<b>Blower Motor &amp; Blower</b>													
Blower Motor Type/Speeds	VS ECM	Variable Speed (Constant Speed)			Variable Speed (Constant CFM)								
	5 Speed ECM	Not Available			5 Speed								
Blower Motor-hp [W]	VS ECM	1/10 [75]	1/10 [75]	1/10 [75]	1/2 [373]	1/2 [373]	1/2 [373]	1/2 [373]	1/2 [373]	1/2 [373]	1 [746]	1 [746]	
	5 Speed ECM	Not Available			1/2 [373]	1/2 [373]	1/2 [373]	1/2 [373]	1/2 [373]	1 [746]	1 [746]	1 [746]	1 [746]
Blower Wheel Size (Dia x W), in. [mm]	VS ECM	6 x 8 [152 x 203]	6 x 8 [152 x 203]	6 x 8 [152 x 203]	9 x 7 [229 x 178]	9 x 7 [229 x 178]	9 x 7 [229 x 178]	9 x 7 [229 x 178]	9 x 7 [229 x 178]	11 x 10 [279 x 254]	11 x 10 [279 x 254]	11 x 10 [279 x 254]	11 x 10 [279 x 254]
	5 Speed ECM	Not Available			9 x 7 [229 x 178]	9 x 7 [229 x 178]	9 x 7 [229 x 178]	9 x 7 [229 x 178]	9 x 7 [229 x 178]	11 x 10 [279 x 254]	11 x 10 [279 x 254]	11 x 10 [279 x 254]	11 x 10 [279 x 254]
<b>Coax and Water Piping</b>													
Water Connection Size - FPT - in [mm]	1/2" [12.7]	1/2" [12.7]	1/2" [12.7]	3/4" [19.1]	3/4" [19.1]	3/4" [19.1]	3/4" [19.1]	3/4" [19.1]	3/4" [19.1]	3/4" [19.1]	3/4" [19.1]	1" [25.4]	1" [25.4]
Coax & Piping Water Volume - gal [l]	0.4 [1.49]	0.4 [1.49]	0.4 [1.49]	0.4 [1.49]	0.4 [1.49]	0.4 [1.49]	0.75 [2.83]	0.9 [3.41]	0.9 [3.41]	1.25 [4.72]	1.5 [5.68]	1.5 [5.68]	
<b>Vertical</b>													
Air Coil Dimensions (H x W), in. [mm]	12 x 14 [305 x 356]	12 x 14 [305 x 356]	12 x 14 [305 x 356]	16 x 16 [406 x 406]	16 x 16 [406 x 406]	22 x 16 [559 x 406]	22 x 16 [559 x 406]	24 x 20 [610 x 508]	28 x 20 [711 x 508]	28 x 20 [711 x 508]	28 x 25 [711 x 635]	32 x 25 [813 x 635]	
Air Coil Total Face Area, ft <sup>2</sup> [m <sup>2</sup> ]	1.17 [0.11]	1.17 [0.11]	1.17 [0.11]	1.8 [0.17]	1.8 [0.17]	2.4 [0.2]	2.4 [0.2]	3.3 [0.307]	3.9 [0.362]	3.9 [0.362]	4.9 [0.455]	5.6 [0.520]	
Air Coil Tube Size, in [mm]	3/8 [9.5]	3/8 [9.5]	3/8 [9.5]	3/8 [9.5]	3/8 [9.5]	3/8 [9.5]	3/8 [9.5]	3/8 [9.5]	3/8 [9.5]	3/8 [9.5]	3/8 [9.5]	3/8 [9.5]	
Air Coil Number of rows	3	3	3	3	3	3	3	3	3	3	3	3	
Filter Standard - 1" [25mm] MERV4 Throwaway, in [mm]	12 x 16 [305 x 406]	12 x 16 [305 x 406]	12 x 16 [305 x 406]	16 x 20 [406 x 508]	16 x 20 [406 x 508]	22 x 20 [559 x 508]	22 x 20 [559 x 508]	24 x 24 [610 x 610]	28 x 24 [711 x 610]	28 x 24 [711 x 610]	28 x 30 [711 x 762]	32 x 30 [813 x 762]	
Filter Standard - 2" [51mm] Pleated MERV13 Throwaway, in [mm]	12 x 16 [305 x 406]	12 x 16 [305 x 406]	12 x 16 [305 x 406]	16 x 20 [406 x 508]	16 x 20 [406 x 508]	22 x 20 [559 x 508]	22 x 20 [559 x 508]	24 x 24 [610 x 610]	28 x 24 [711 x 610]	28 x 24 [711 x 610]	28 x 30 [711 x 762]	32 x 30 [813 x 762]	
<b>Horizontal</b>													
Air Coil Dimensions (H x W), in. [mm]	8 x 22 [203 x 559]	8 x 22 [203 x 559]	8 x 22 [203 x 559]	16 x 16 [406 x 406]	16 x 16 [406 x 406]	16 x 23 [406 x 584]	16 x 23 [406 x 584]	18 x 27 [457 x 686]	18 x 30 [457 x 762]	18 x 30 [457 x 762]	20 x 35 [508 x 889]	20 x 40 [508 x 1016]	
Air Coil Total Face Area, ft <sup>2</sup> [m <sup>2</sup> ]	1.22 [0.11]	1.22 [0.11]	1.22 [0.11]	1.8 [0.17]	1.8 [0.17]	2.6 [0.238]	2.6 [0.238]	2.9 [0.269]	3.8 [0.353]	3.8 [0.353]	4.9 [0.455]	5.6 [0.52]	
Air Coil Tube Size, in [mm]	3/8 [9.5]	3/8 [9.5]	3/8 [9.5]	3/8 [9.5]	3/8 [9.5]	3/8 [9.5]	3/8 [9.5]	3/8 [9.5]	3/8 [9.5]	3/8 [9.5]	3/8 [9.5]	3/8 [9.5]	
Air Coil Number of rows	3	3	3	3	3	3	3	3	3	3	3	3	
Filter Standard - 1" [25mm] MERV 4 Throwaway, in [mm]	12 x 25 [305 x 635]	12 x 25 [305 x 635]	12 x 25 [305 x 635]	16 x 20 [406 x 508]	16 x 20 [406 x 508]	16 x 25 [406 x 635]	16 x 25 [406 x 635]	2-18 x 14 [457 x 356]	1-18 x 18 [457 x 457] 1-18 x 14 [457 x 356]	1-18 x 18 [457 x 457] 1-18 x 14 [457 x 356]	2-18 x 20 [457 x 508]	1-20 x 22 [508 x 559] 1-20 x 20 [508 x 508]	
Filter Standard - 2" [51mm] Pleated MERV 13 Throwaway, in [mm]	12 x 25 [305 x 635]	12 x 25 [305 x 635]	12 x 25 [305 x 635]	16 x 20 [406 x 508]	16 x 20 [406 x 508]	16 x 25 [406 x 635]	16 x 25 [406 x 635]	18 x 29 [457 x 737]	18 x 32 [457 x 813]	18 x 32 [457 x 813]	20 x 37 [508 x 940]	1-20 x 22 [508 x 559] 1-20 x 20 [508 x 508]	

\* Not available at the time of publishing release

## Données sur le rendement du ventilateur (suite)

## Moteur ECM à 5 vitesses

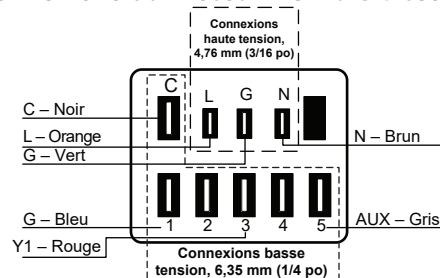
Modèle	Vitesse du moteur	Robinet du moteur	Taille du ventilateur	Puissance du moteur (ch)	Débit d'air (pi <sup>3</sup> /min) à la pression statique externe (po CE)															
					0	0,05	0,10	0,15	0,20	0,25	0,30	0,35	0,40	0,45	0,50	0,60	0,70	0,90	1,00	
015	Élevée	5	9 x 7	1/2	915	895	880	865	850	830	815	805	795	775	750	730	695	-	-	
	<b>Moy. élevée</b>	<b>4</b>			805	785	765	750	740	725	705	685	665	655	635	605	535	-	-	
	Moyenne	3			725	715	700	680	660	635	615	600	585	560	535	485	-	-	-	
	Moy. faible	2			695	675	650	630	610	590	575	550	525	490	455	-	-	-	-	
	Faible	1			655	600	550	530	508	490	475	435	395	350	-	-	-	-	-	
018	Élevée	5	9 x 7	1/2	915	895	880	865	850	830	815	805	795	775	750	730	695	-	-	
	<b>Moy. élevée</b>	<b>4</b>			805	785	765	750	740	725	705	685	665	655	635	605	535	-	-	
	Moyenne	3			725	715	700	680	660	635	615	600	585	560	535	485	-	-	-	
	Moy. faible	2			695	675	650	630	610	590	575	550	525	490	455	-	-	-	-	
	Faible	1			655	600	550	530	508	490	475	435	395	350	-	-	-	-	-	
024	Élevée	5	9 x 7	1/2	1 000	983	965	950	935	923	910	900	890	873	855	800	725	-	-	
	<b>Moy. élevée</b>	<b>4</b>			905	888	870	860	850	833	815	805	795	775	755	740	705	-	-	
	Moyenne	3			855	838	820	800	780	773	765	745	725	715	705	670	580	-	-	
	Moy. faible	2			790	773	755	743	730	710	690	675	660	643	625	570	-	-	-	
	Faible	1			615	600	585	565	545	523	500	468	435	408	380	-	-	-	-	
030	Élevée	5	9 x 7	1/2	1 315	1 293	1 270	1 243	1 215	1 183	1 150	1 120	1 090	1 055	1 020	930	845	-	-	
	<b>Moy. élevée</b>	<b>4</b>			1 145	1 130	1 115	1 105	1 095	1 080	1 065	1 053	1 040	1 013	985	905	820	-	-	
	Moyenne	3			1 020	1 008	995	978	960	950	940	923	905	895	885	850	795	-	-	
	Moy. faible	2			980	963	945	935	925	908	890	878	865	848	830	805	780	-	-	
	Faible	1			795	778	760	738	715	705	695	678	660	650	640	575	530	-	-	
036	Élevée	5	9 x 7	1/2	1 405	1 380	1 355	1 333	1 310	1 275	1 240	1 208	1 175	1 135	1 095	1 015	895	-	-	
	<b>Moy. élevée</b>	<b>4</b>			1 275	1 265	1 255	1 245	1 235	1 215	1 195	1 168	1 140	1 105	1 070	985	875	-	-	
	Moyenne	3			1 180	1 163	1 145	1 135	1 125	1 110	1 095	1 085	1 075	1 060	1 045	975	865	-	-	
	Moy. faible	2			1 125	1 115	1 105	1 090	1 075	1 065	1 055	1 040	1 025	1 008	990	950	855	-	-	
	Faible	1			835	823	810	793	775	758	740	723	705	690	675	640	570	-	-	
042	Élevée	5	11 x 10	1	1 805	1 793	1 780	1 770	1 760	1 740	1 720	1 710	1 700	1 688	1 675	1 655	1 635	1 550	1 475	
	<b>Moy. élevée</b>	<b>4</b>			1 695	1 688	1 680	1 660	1 640	1 623	1 605	1 593	1 580	1 573	1 565	1 535	1 505	1 395	1 300	
	<b>Moyenne</b>	<b>3</b>			1 605	1 593	1 580	1 560	1 540	1 523	1 505	1 493	1 480	1 470	1 460	1 420	1 380	1 205	1 135	
	Moy. faible	2			1 510	1 495	1 480	1 465	1 450	1 435	1 420	1 403	1 385	1 373	1 360	1 310	1 250	1 055	1 010	
	Faible	1			1 340	1 323	1 305	1 283	1 260	1 245	1 230	1 213	1 195	1 175	1 155	1 040	915	-	-	
048	Élevée	5	11 x 10	1	2 000	1 990	1 980	1 968	1 955	1 940	1 925	1 920	1 915	1 910	1 905	1 880	1 845	1 655	1 505	
	<b>Moy. élevée</b>	<b>4</b>			1 840	1 833	1 825	1 810	1 795	1 785	1 775	1 770	1 765	1 755	1 745	1 715	1 670	1 540	1 360	
	<b>Moyenne</b>	<b>3</b>			1 755	1 743	1 730	1 718	1 705	1 698	1 690	1 683	1 675	1 655	1 635	1 600	1 555	1 435	1 300	
	Moy. faible	2			1 645	1 630	1 615	1 605	1 595	1 583	1 570	1 560	1 550	1 530	1 510	1 475	1 420	1 265	1 180	
	Faible	1			1 430	1 413	1 395	1 385	1 375	1 358	1 340	1 320	1 300	1 275	1 250	1 170	1 060	930	875	
060	Élevée	5	11 x 10	1	2 455	2 440	2 425	2 413	2 400	2 390	2 380	2 365	2 350	2 335	2 320	2 295	2 245	2 085	2 015	
	<b>Moy. élevée</b>	<b>4</b>			2 260	2 250	2 240	2 223	2 205	2 195	2 185	2 168	2 150	2 133	2 115	2 085	2 045	1 975	1 930	
	<b>Moyenne</b>	<b>3</b>			2 140	2 123	2 105	2 095	2 085	2 065	2 045	2 033	2 020	2 005	1 990	1 960	1 915	1 835	1 790	
	Moy. faible	2			2 010	1 995	1 980	1 963	1 945	1 935	1 925	1 908	1 890	1 873	1 855	1 825	1 780	1 690	1 645	
	Faible	1			1 815	1 803	1 790	1 775	1 760	1 743	1 725	1 705	1 685	1 665	1 645	1 600	1 565	1 470	1 410	
070	Élevée	5	11 x 10	1	2 500	2 495	2 490	2 473	2 455	2 438	2 420	2 405	2 390	2 363	2 335	2 325	2 280	2 120	1 995	
	<b>Moy. élevée</b>	<b>4</b>			2 300	2 295	2 290	2 270	2 250	2 233	2 215	2 200	2 185	2 168	2 150	2 115	2 080	1 990	1 915	
	<b>Moyenne</b>	<b>3</b>			2 175	2 163	2 150	2 138	2 125	2 100	2 075	2 060	2 045	2 030	2 015	1 980	1 945	1 860	1 820	
	Moy. faible	2			2 040	2 028	2 015	2 000	1 985	1 965	1 945	1 930	1 915	1 898	1 880	1 850	1 805	1 725	1 685	
	Faible	1			1 850	1 833	1 815	1 800	1 785	1 765	1 745	1 728	1 710	1 683	1 655	1 615	1 580	1 475	1 300	

Les réglages d'usine sont en gras.

30/04/24

Les valeurs de débit d'air sont avec une bobine sèche et un filtre standard de 25,4 mm (1 po).

## Connexions du moteur ECM à 5 vitesses



## Données sur le rendement du ventilateur (suite)

Les moteurs de ventilateur ECM à vitesse variable ont 12 vitesses sélectionnables et sont réglés en usine pour un rendement optimal. S'il y a lieu, les réglages de vitesse peuvent également être ajustés au moyen du système de contrôle automatique du bâtiment (SCAB).



**ATTENTION : Coupez toute l'alimentation avant d'effectuer cette opération.**

### Modèles 006-012 : Vitesse variable / Vitesse constante

Fan Speed	Fan RPM							
		0.0	0.1	0.2	0.3	0.4	0.5	0.6
1								
2	420							
3	550	115	65					
4	740	165	90					
5	900	225	170	140				
6	1075	280	225	160				
7	1200	320	275	225	160			
8	1330	360	320	275	225	165		
9	1485	420	380	345	295	250		
10	1650	480	440	400	365	330	305	
11	1750			450	420	385	355	305
12	1800							

### Rendement du ventilateur ECM à vitesse variable

Modèle	Max. ESP	Taille du ventilateur	Puissance du moteur (ch)	Réglages de l'interrupteur DIP du débit d'air											
				1	2	3	4	5	6	7	8	9	10	11	12
015	0,50	9 x 7	1/2	300	400 L	500	600 M	700 H	800						
018	0,50	9 x 7	1/2	300	400 L	500	600 M	700 H	800						
024	0,50	9 x 7	1/2		400 L	500	600 M	700 H	800	900	1 000	1 100			
030	0,50	9 x 7	1/2		400	500 L	600	700 M	800	900	1 000 H	1 100			
036	0,50	9 x 7	1/2		400	500	600 L	700	800	900 M	1 000	1 100 H	1 200		
042	0,50	11 x 10	1/2	500	600	700 L	875	1 050	1 150 M	1 250	1 325	1 375 H	1 475	1 550	
048	0,50	11 x 10	1/2	500	600	700	875 L	1 050	1 150	1 250	1 325 M	1 375 H	1 475	1 550 H	1 600
060	0,75	11 x 10	1	600	800	1 000 L	1 300	1 500 M	1 750	1 950 H	2 100	2 200	2 300		
070	0,75	11 x 10	1	600	800	1 000 L	1 300	1 500 M	1 750	1 950	2 100 H	2 200	2 300		

30/04/24

Les réglages en usine sont aux emplacements recommandés pour les interrupteurs DIP L-M-H.

Le PCM est contrôlé à  $\pm 5\%$  jusqu'à la pression statique maximale.

Les réglages M-H DOIVENT être situés dans la plage de PCM en caractères gras.

La pression statique (ESP) maximale comprend une tolérance pour serpentin humide et un filtre standard.

Les réglages des interrupteurs DIP les plus bas et les plus élevés sont présumés être L et H respectivement.

## Données sur le rendement du ventilateur (suite)

### Réglage de la vitesse du ventilateur – ECM à vitesse variable

La DEL jaune du tableau de configuration ABC clignotera les sélections actuelles de vitesse du ventilateur ECM à vitesse variable pour basse, moyenne et haute en continu avec une courte pause entre les deux. Les vitesses peuvent également être confirmées à l'aide de l'outil AIDE dans l'écran Paramètres/Paramètres ECM. Les vitesses du moteur de ventilateur ECM à vitesse variable peuvent être réglées sur place avec ou sans l'aide d'un outil AIDE.

### Configuration du module de commande du moteur à vitesse variable sans outil AIDE

Les vitesses du ventilateur faible (G seulement), moyenne (Y1) et élevée (Y2/auxiliaire) peuvent être réglées directement sur le panneau Aurora® ABC qui utilise le bouton (SW1) sur le panneau ABC. Cette procédure est décrite dans la partie Mode de configuration du module de commande du moteur à vitesse variable de la section Système de commande de base d'Aurora®.

### Configuration du module de commande de moteur à vitesse variable avec un outil AIDE

Une méthode beaucoup plus simple utilise l'outil AIDE pour modifier le débit d'air en suivant la procédure ci-dessous. Accédez d'abord à l'écran Paramètre, puis sélectionnez Paramètres ECM. Cet écran affiche les réglages ECM à vitesse variable actuels. Cela permet au technicien d'accéder aux écrans de configuration pour modifier les paramètres du moteur ECM à vitesse variable. Modifiez l'élément mis en surbrillance à l'aide des boutons ◀ et ▶, puis appuyez sur le bouton ■ pour sélectionner l'élément.

### Configuration du module de commande de moteur à vitesse variable avec un outil AIDE (suite)

INFORMATION SUR LA VITESSE DU MOTEUR ECM	
BASSE VITESSE :	3
VITESSE MOYENNE :	5
HAUTE VITESSE :	7
VOUS VOULEZ CHANGER?	
OUI	NON
OPTION ◀▶	ENTRÉE ■

Si vous sélectionnez OUI, la configuration de la vitesse du moteur ECM à vitesse variable s'ouvrira, tandis que si vous sélectionnez NON, vous reviendrez à l'écran précédent.

### Réglage de la vitesse du moteur ECM à vitesse variable –

Ces écrans permettent au technicien de sélectionner la vitesse basse, moyenne et élevée du ventilateur pour le moteur de ventilateur ECM à vitesse variable. Changer l'élément mis en surbrillance en utilisant les boutons ▲ et ▼. Appuyez sur le bouton ■ pour sélectionner la vitesse.

INFORMATION SUR LA VITESSE DU MOTEUR ECM	
1	
2	<- FAIBLE
3	
4	
5	
6	
7	
8	
9	
10	
11	
12	
OPTION ◀▶	ENTRÉE ■

INFORMATION SUR LA VITESSE DU MOTEUR ECM	
1	
2	FAIBLE
3	
4	
5	<- MOYENNE
6	
7	
8	
9	
10	
11	
12	
OPTION ◀▶	ENTRÉE ■

INFORMATION SUR LA VITESSE DU MOTEUR ECM	
1	
2	FAIBLE
3	
4	
5	MOYENNE
6	
7	
8	
9	
10	
11	
12	<- ÉLEVÉE
OPTION ◀▶	ENTRÉE ■

Une fois le réglage de la vitesse élevée sélectionné, l'outil AIDE retourne automatiquement à l'écran de configuration du moteur ECM.

## Démarrage de l'unité

### Avant d'alimenter l'appareil, vérifiez ce qui suit :

**REMARQUE :** Enlevez et jetez les boulons d'expédition du compresseur. Les boulons peuvent ensuite être mis au rebut.

- La haute tension est correcte et correspond à la plaque d'identification.
  - Les fusibles, les disjoncteurs et le calibre des fils sont appropriés.
  - Le câblage basse tension est terminé.
  - La tuyauterie est terminée et le système d'eau est nettoyé et rincé.
  - L'air est purgé du système en boucle fermée.
  - Les valves d'isolation sont ouvertes et les valves de régulation d'eau ou les pompes du circuit sont câblées.
  - La ligne de condensat est ouverte et inclinée correctement.
  - Transformateur changé à 208 V, s'il y a lieu.
  - Les interrupteurs DIP sont réglés correctement.
  - Le ventilateur tourne librement - le support d'expédition en mousse a été retiré.
  - La vitesse du ventilateur est correcte.
  - Le filtre/purificateur d'air est propre et en place.
  - Les panneaux d'accès et d'entretien sont en place.
  - La température du retour d'air se situe entre 10 et 27 °C (50 et 80 °F) pour le chauffage et 15,6 et 35 °C (60 et 95 °F) pour le refroidissement.
  - Vérifiez la propreté de la bobine d'air pour assurer un rendement optimal. Nettoyez au besoin selon les directives d'entretien.
- Pour obtenir un rendement maximal, la bobine d'air doit être nettoyée avant le démarrage. Une solution à 10 % de détergent pour lave-vaisselle et d'eau est recommandée pour les deux côtés de la bobine; un rinçage à l'eau complet devrait suivre.

### Étapes de démarrage

**REMARQUE :** Remplissez la feuille de contrôle de démarrage/mise en service de l'équipement pendant cette procédure. Consultez les instructions d'utilisation du thermostat et terminer la procédure de démarrage.

1. Déclenchez un signal de commande pour mettre le moteur du ventilateur sous tension. Vérifiez le fonctionnement du ventilateur.
2. Déclenchez un signal de commande pour placer l'appareil en mode de refroidissement. Le point de référence du refroidissement doit être réglé sous la température ambiante.
3. Le refroidissement s'active après un délai. Vérifiez si la rotation des compresseurs à volutes est correcte dans les applications à trois phases. Une mauvaise rotation entraînera de faibles pressions du réfrigérant et possiblement un bruit inhabituel. Inversez deux des fils d'alimentation au compresseur ou au contacteur pour inverser la rotation.
4. Assurez-vous que le compresseur et la valve de régulation de l'eau ou les pompes de la boucle sont activés.
5. Vérifiez que le débit d'eau est correct en mesurant la chute de pression dans l'échangeur thermique à l'aide des bouchons P/T et en la comparant au tableau des chutes de pression.
6. Vérifiez la température de l'eau d'alimentation et de refoulement (reportez-vous aux tableaux des paramètres de fonctionnement).
7. Vérifiez si la température de l'air chute de -9,4 et -3,9 °C (15 et 25 °F) dans la bobine d'air, selon la vitesse du ventilateur et la température de l'entrée d'eau.
8. Diminuez le point de référence de refroidissement de plusieurs degrés et vérifiez le fonctionnement à haute vitesse du ventilateur (ECM à vitesse variable uniquement).
9. Réglez le point de référence de refroidissement au-dessus de la température ambiante et vérifiez que le compresseur et la valve d'eau ou les pompes de la boucle est désactivée.
10. Déclenchez un signal de commande pour placer l'appareil en mode de chauffage. Le point de référence de chauffage doit être réglé au-dessus de la température ambiante.
11. Le chauffage s'active après un délai.
12. Vérifiez la température de l'eau d'alimentation et de refoulement (reportez-vous aux tableaux des paramètres de fonctionnement de l'unité).
13. Vérifiez si la température de l'air augmente de -6,7 et 1,7 °C (20 et 35 °F) dans la bobine d'air, selon la vitesse du ventilateur et la température de l'entrée d'eau.
14. Si des chaufferettes électriques auxiliaires sont installées, augmentez le point de consigne de chauffage jusqu'à ce que les banques de chaleur électriques soient mises en séquence. Toutes les étapes de la chaufferette auxiliaire doivent être mises en séquence lorsque le thermostat est en mode de chauffage d'urgence. Vérifiez l'ampérage de chaque élément.
15. Réglez le point de consigne de chauffage sous la température ambiante et vérifiez que le compresseur et la valve d'eau ou les pompes de la boucle sont désactivées.
16. Pendant tous les essais, vérifiez s'il y a des vibrations, des bruits ou des fuites d'eau excessives. Corrigez ou réparez au besoin.
17. Réglez le système au mode de fonctionnement normal désiré et réglez la température pour maintenir le niveau de confort désiré.
18. Informez le propriétaire/opérateur du bon fonctionnement du thermostat et de l'entretien du système.

**REMARQUE :** Assurez-vous de remplir et de transmettre tous les documents d'enregistrement de garantie.

## Retrait et évacuation du réfrigérant

Lorsque vous ouvrez le circuit frigorifique pour effectuer des réparations, ou pour toute autre fin, vous devez suivre les procédures conventionnelles. Cependant, pour les réfrigérants inflammables, vous devez suivre les meilleures pratiques parce que l'inflammabilité doit être prise en considération. La procédure suivante doit être respectée :

- retirez le réfrigérant en toute sécurité conformément aux réglementations locales et nationales;
- évacuez;
- purgez le circuit avec un gaz inerte (facultatif pour A2L);
- évacuez (facultatif pour A2L) ;
- rincez ou purgez continuellement avec un gaz inerte lors de l'utilisation d'une flamme pour ouvrir le circuit;
- ouvrez le circuit.

La charge de réfrigérant doit être récupérée dans les bouteilles de récupération appropriées si la ventilation n'est pas autorisée par les codes locaux et nationaux. Pour les appareils contenant des réfrigérants inflammables, le système doit être purgé avec de l'azote exempt d'oxygène afin de rendre l'appareil sûr pour les réfrigérants inflammables.

Ce processus devra peut-être être répété plusieurs fois. L'air comprimé et l'oxygène ne doivent pas être utilisés pour purger les systèmes frigorifiques. Pour les appareils contenant des réfrigérants inflammables, la purge des réfrigérants doit être réalisée en rompant le vide dans le système avec de l'azote exempt d'oxygène et en continuant à le remplir jusqu'à ce que la pression de service soit atteinte, puis en dépressurant jusqu'à la pression atmosphérique, et enfin en créant un vide (facultatif pour A2L). Ce processus doit être répété jusqu'à ce qu'il n'y ait plus de réfrigérant dans le système (facultatif pour A2L). Lorsque la charge finale d'azote exempt d'oxygène est utilisée, le système doit être dépressurisé jusqu'à la pression atmosphérique pour permettre le travail. L'orifice de sortie de la pompe à vide ne doit pas se trouver à proximité de sources potentielles d'inflammation et une ventilation doit être disponible.

## Procédures de chargement

En plus des procédures de chargement conventionnelles, les exigences suivantes doivent être respectées :

- Assurez-vous que les différents réfrigérants ne sont pas contaminés lors de l'utilisation de l'équipement de chargement.
- Les flexibles ou conduites doivent être aussi courts que possible pour réduire au minimum la quantité de réfrigérant qu'ils contiennent.
- Les bouteilles doivent être maintenues dans une position appropriée conformément aux instructions.
- Assurez-vous que le SYSTÈME FRIGORIFIQUE est mis à la terre avant de charger le système de réfrigérant.
- Étiquetez le système lorsque le chargement est terminé (si ce n'est pas déjà fait).
- Il convient de veiller très attentivement à ne pas trop remplir le SYSTÈME FRIGORIFIQUE.

Avant de recharger le système, il doit être soumis à un essai de pression avec le gaz de purge approprié. Le système doit être soumis à un essai d'étanchéité à la fin du chargement avant la mise en service. Un essai d'étanchéité de suivi doit être effectué avant de quitter le site.

## Récupération du réfrigérant

Lors du retrait du réfrigérant d'un système, que ce soit pour l'entretien ou la mise hors service, il est recommandé de retirer tous les réfrigérants en toute sécurité.

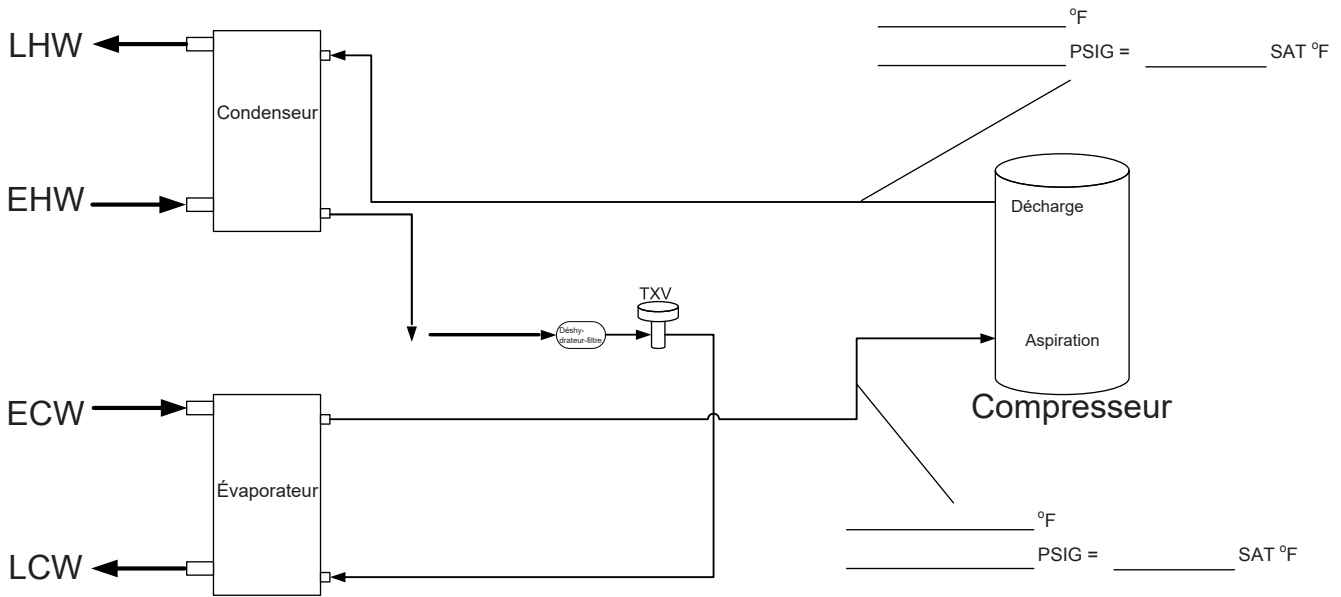
Lors du transfert du réfrigérant dans des bouteilles, assurez-vous que seules des bouteilles appropriées de récupération de réfrigérant sont utilisées. Assurez-vous que le bon nombre de bouteilles pour contenir la charge totale du circuit est disponible. Toutes les bouteilles qui seront utilisées doivent être réservées au réfrigérant récupéré et étiquetées pour ce réfrigérant (c.-à-d. des bouteilles spéciales pour la récupération du réfrigérant). Les bouteilles doivent être équipées d'une soupape de surpression et de valves d'arrêt en bon état de fonctionnement. Les bouteilles de récupération vides sont évacuées et, si possible, refroidies avant la récupération.

Le matériel de récupération doit être en bon état de fonctionnement et inclure des instructions concernant le matériel disponible et doit convenir à la récupération du réfrigérant inflammable. En cas de doute, consultez le fabricant. De plus, un jeu de balances étalonnées doit être disponible et en bon état de fonctionnement. Les flexibles doivent être équipés de raccords rapides étanches et en bon état.

Le réfrigérant récupéré doit être traité conformément à la réglementation locale dans la bouteille de récupération appropriée, et le bordereau de transfert des déchets correspondant doit être rempli. Ne mélangez pas les réfrigérants dans les unités de récupération et surtout pas dans les bouteilles.

Si des compresseurs ou des huiles de compresseur doivent être retirés, assurez-vous qu'ils ont été purgés à un niveau acceptable pour s'assurer qu'il ne reste pas de réfrigérant inflammable dans le lubrifiant. Le corps du compresseur ne doit pas être chauffé par une flamme nue ou par d'autres sources d'inflammation pour accélérer ce processus. Lorsque l'huile d'un système est vidangée, la procédure doit être réalisée en toute sécurité.

## Analyse du cycle de réfrigération



Ampérage de l'unité \_\_\_\_\_  
 Tension composée \_\_\_\_\_  
 Sous-refroidissement \_\_\_\_\_  
 Surchauffe \_\_\_\_\_

**Remarque :** Ne fixez pas les jauges de réfrigérant, sauf si un problème est suspecté!

Entrée eau chaude	_____ °F
Pression de l'eau à l'entrée	_____ PSIG
Sortie eau chaude	_____ °F
Sortie pression à chaud	_____ PSIG
Entrée eau réfrigérée	_____ °F
Pression de l'eau à l'entrée	_____ PSIG
Sortie eau réfrigérée	_____ °F
Sortie pression à chaud	_____ PSIG

## Remarques

## Guide de révision

<b>Pages:</b>	<b>Description:</b>	<b>Date:</b>	<b>By:</b>
All	Création de documents	15 avril 2024	SW
19	Suppression des données de performances du ventilateur PSC	03 octobre 2024	MA
18	Mettre à jour le tableau des données physiques	07 janvier 2025	SW
2	Ajouter un avertissement de protection contre le gel	20 février 2025	SW
3-4	Mettre à jour le poids des frais	13 mars 2025	SW
1	Mettre à jour la liste de sécurité	13 mars 2025	SW
1, 28	Transition d'Eco-Z à Eco-Y	5 août 2025	MA
Misc	Numéro de pièce Rév	30 septembre 2025	SW
18,20	Mise à jour : Performances du souffleur et données physiques	13 avril 2026	SW
Misc	Référence, Rév. B	13 avril 2026	SW



Product: LX Compact  
Type: Geothermal/Water Source Heat Pumps  
Size: 0.5-6 Ton

Document Type: Installation Guide  
Part Number: IGV3-0007YB  
Release Date: 04/26